



POSITION SWITCH, METAL-ENCLOSED, OPTICAL SIGNALLING DEVICE AND AUXILIARY RELEASE WITH LOCK SPRING-ACTUATED LOCK, AC 110V, M20 X 1.5

product designation	position switch with tumbler		
design of the product	with separate actuator		
suitability for use safety switch	No		
General technical data			
locking force	2 000 N		
protection class IP	IP67		
reference code according to IEC 81346-2	S		
Substance Prohibitance (day/month/year)	07/01/2006		
Net Weight	0.86 kg		
length of the sensor	141.5 mm		
width of the sensor	45 mm		
Ambient conditions			
ambient temperature	-30 ... +70 °C		
• during operation			
number of NC contacts for auxiliary contacts	2		
Enclosure			
design of the housing	special design		
material of the enclosure	metal		
coating of the enclosure	painted		
design of the housing according to standard	No		
locking mechanism design	spring-actuated lock with an optical signaling device.		
Drive Head			
design of the actuating element	separate actuator		
design of the switching function	positive opening		
number of directions of actuation	4		
circuit principle	slow-action contacts		
number of switching contacts safety-related	2		
number of NO contacts for auxiliary contacts	2		
Installation/ mounting/ dimensions			
fastening method	screw fixing		
Connections/ Terminals			
type of electrical connection	screw terminal		
Approvals Certificates			
General Product Approval	Test Certificates	Maritime application	other

Environment

[Environmental Confirmations](#)

Further information

Information on the packaging

<https://support.industry.siemens.com/cs/ww/en/view/109813875>

Information for data generation and storage

<https://support.industry.siemens.com/cs/ww/en/view/109995012>

Information- and Downloadcenter (Catalogs, Brochures,...)

<https://www.siemens.com/ic10>

Industry Mall (Online ordering system)

<https://mall.industry.siemens.com/mall/en/en/Catalog/product?mlfb=3SE2842-1XX32>

Cax online generator

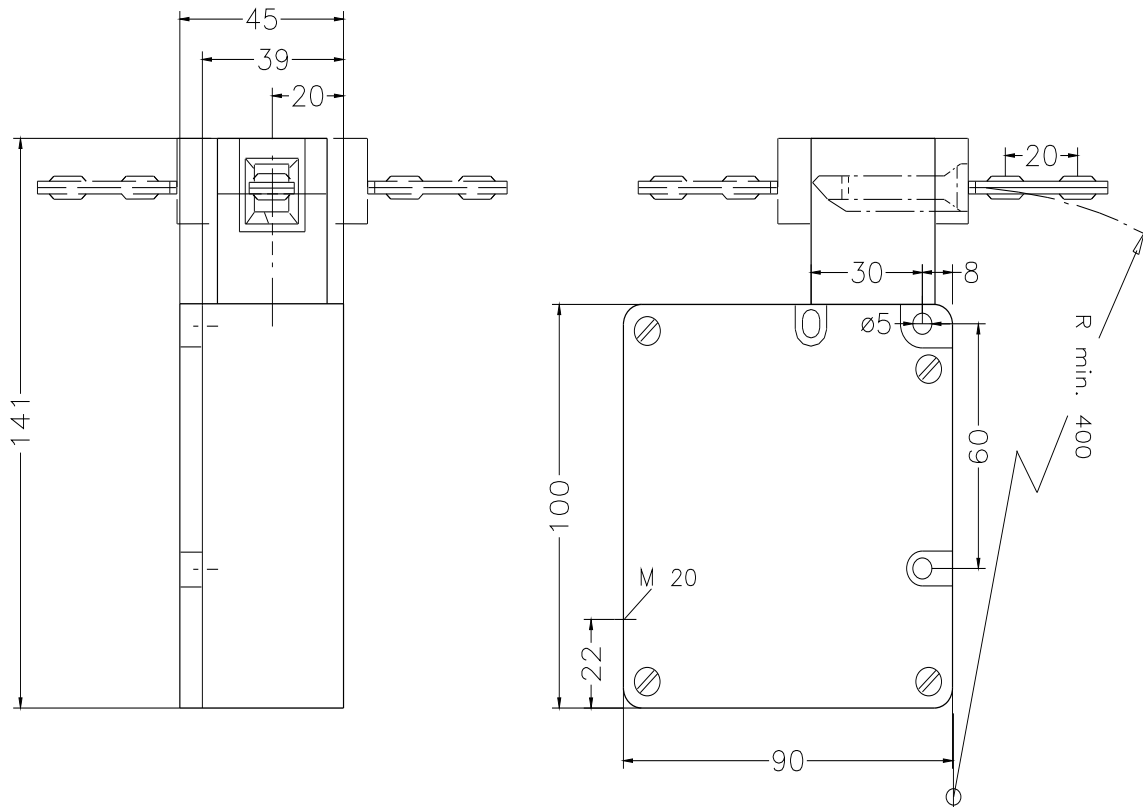
<https://support.automation.siemens.com/WW/CAXorder/default.aspx?lang=en&mlfb=3SE2842-1XX32>

Service&Support (Manuals, Certificates, Characteristics, FAQs,...)

<https://support.industry.siemens.com/cs/ww/en/ps/3SE2842-1XX32>

Image database (product images, 2D dimension drawings, 3D models, device circuit diagrams, EPLAN macros, ...)

https://www.automation.siemens.com/bilddb/cax_de.aspx?mlfb=3SE2842-1XX32&lang=en



last modified:

8/8/2025 