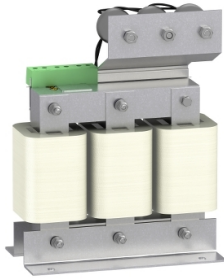


Product datasheet

Specifications



Sinus filter - 13 A - for Altivar Process variable speed drives

VW3A5215

Main

Product or component type	Sinus filter
Range compatibility	Altivar Process ATV600 Altivar Process ATV900
Product specific application	Output filter
[In] rated current	13 A
Thermal losses	170 W, 115 °C
Product compatibility	ATV630 variable speed drive wall mount - 2.2 kW, 500...690 V three phase ATV630 variable speed drive wall mount - 3 kW, 500...690 V three phase ATV630 variable speed drive wall mount - 4 kW, 500...690 V three phase ATV630 variable speed drive wall mount - 5.5 kW, 500...690 V three phase ATV630 variable speed drive wall mount - 7.5 kW, 500...690 V three phase ATV930 variable speed drive wall mount - 2.2 kW, 500...690 V three phase ATV930 variable speed drive wall mount - 3 kW, 500...690 V three phase ATV930 variable speed drive wall mount - 4 kW, 500...690 V three phase ATV930 variable speed drive wall mount - 5.5 kW, 500...690 V three phase ATV930 variable speed drive wall mount - 7.5 kW, 500...690 V three phase ATV630 variable speed drive wall mount, 3 hp, 600 V three phase ATV630 variable speed drive wall mount, 5 hp, 600 V three phase ATV630 variable speed drive wall mount, 7.5 hp, 600 V three phase ATV630 variable speed drive wall mount, 10 hp, 600 V three phase ATV930 variable speed drive wall mount, 3 hp, 600 V three phase ATV930 variable speed drive wall mount, 5 hp, 600 V three phase ATV930 variable speed drive wall mount, 7.5 hp, 600 V three phase ATV930 variable speed drive wall mount, 10 hp, 600 V three phase
Switching frequency	2 kHz
Maximum output frequency	70 Hz
maximum permissible voltage	690 V AC

Complementary

Electrical connection	Terminal
Max current	1.5 x nominal current (duration = 60 s)
Net weight	13.5 kg

Environment

IP degree of protection	IP00
Pollution degree	2 conforming to EN 50178
Vibration resistance	1 gn (f= 13...200 Hz) conforming to IEC 60068-2 1.5 mm peak to peak (f= 3...13 Hz) conforming to IEC 60068-2
Shock resistance	15 gn for 11 ms conforming to IEC 60068-2-27
Relative humidity	0...95 %
Ambient air temperature for operation	-10...45 °C

Ambient air temperature for storage	-40...65 °C
--	-------------

Operating altitude	<= 1000 m without current derating 1000...3000 m with current derating 1 % per 100 m
---------------------------	---

Standards	UL 508
------------------	--------

Packing Units

Unit Type of Package 1	PCE
-------------------------------	-----

Number of Units in Package 1	1
-------------------------------------	---

Package 1 Height	33.0 cm
-------------------------	---------

Package 1 Width	27.2 cm
------------------------	---------

Package 1 Length	47.2 cm
-------------------------	---------

Package 1 Weight	21.0 kg
-------------------------	---------

Contractual warranty

Warranty (in months)	18
-----------------------------	----



Environmental Data

Schneider Electric aims to achieve Net Zero status by 2050 through supply chain partnerships, lower impact materials, and circularity via our ongoing “Use Better, Use Longer, Use Again” campaign to extend product lifetimes and recyclability.

[Environmental Data explained >](#)

[How we assess product sustainability >](#)

Use Better

Materials and Substances

Packaging made with recycled cardboard

No

Packaging without single use plastic

No

EU RoHS Directive

[Compliant](#)

REACH Regulation

[Free of Substances of Very High Concern above the threshold](#)

Use Longer

Lifetime extension

Repair

No

Use Again

Repack and remanufacture

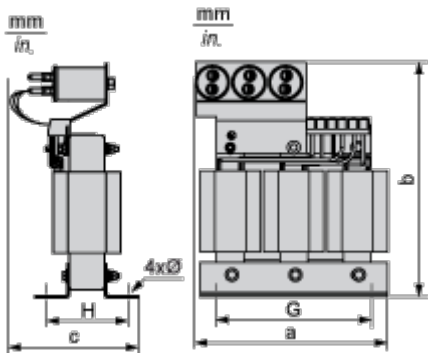
Take-back

No

Dimensions Drawings

Dimensions

Right and Front Views



Dimensions in mm

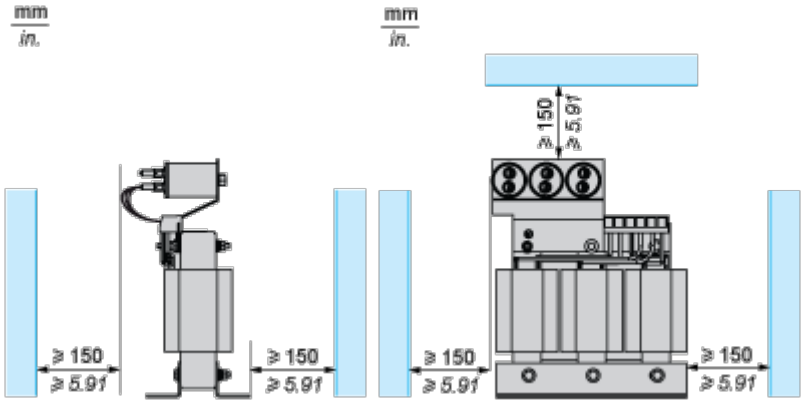
a	b	c	G	H	4Ø
180	290	160	180	101	8 x 12

Dimensions in in.

a	b	c	G	H	4Ø
7.08	11.42	6.30	7.09	3.98	0.31 x 0.47

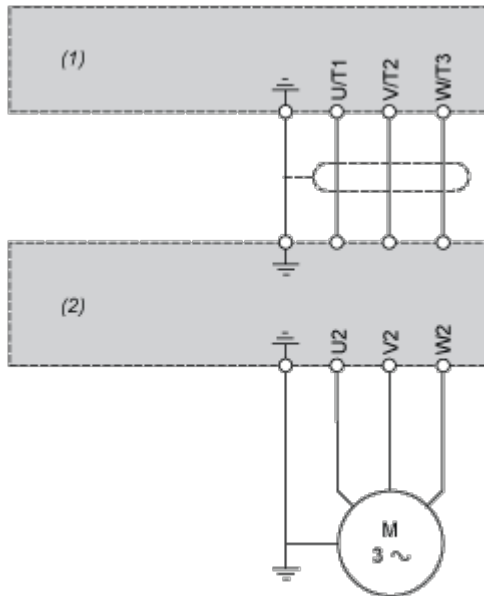
Mounting and Clearance

Mounting Recommendations



Connections and Schema

Recommended Schema



- (1) Drive
- (2) Filter