

# Product data sheet

Specifications



## Panel PC, Harmony P6, IPC, display size 18.5 inch, 4 core

HMIP6DGB0NA0WNAN00

**Product availability: Non-Stock - Not normally stocked in distribution facility**

### Main

Range of Product	Harmony P6
Product or Component Type	Modular box PC Touch panel screen
Software package	Node-RED preinstalled EcoStruxure Machine SCADA Expert run time (on configured offer) EcoStruxure Operator Terminal Expert run time (on configured offer) AVEVA system platform installer (on configured offer) EcoStruxure secure connect (license to be purchased seperately) Stratus EverRun (exchange partner) (license to be purchased seperately) Trellix (license to be purchased seperately)

### Complementary

Display size	18.5 inch
Aspect ratio	16:9
Display Type	LED
Display resolution	4096 x 2304 pixels at 60 Hz
Display colour	16 million colours
Pixel resolution	1920 x 1080
Backlight lifespan	50000 hours at 77 °F (25 °C)
Number of slots	1 slot(s) for optional interface
[Us] rated supply voltage	12...24 V DC power supply
Supply voltage limits	9...36 V
Type of cooling	Fanless
Inrush current	30 A
Device mounting	Panel mounting VESA mounting
Cut-out dimensions	449.5 (+1/-0) x 279.5 (+1/-0) mm
Width	18.3 in (463.6 mm)
Depth	2.7 in (69 mm)
Height	11.6 in (293.6 mm)
Net Weight	14.6 lb(US) (6.6 kg)

### Environment

Standards	EN/IEC 61000-4-2 IEC 61000-4-4 FCC part 15 UL 61010-2-201
-----------	--

Price is "List Price" and may be subject to a trade discount – check with your local distributor or retailer for actual price.

<b>Pollution degree</b>	2
<b>Product certifications</b>	CE CULus CSA UL 61010-2-201 RCM UKCA DNV ATEX zone 2 ATEX zone 22 dust CULus Class 1 Division 2 IECEX zone 2 IECEX zone 22
<b>IP degree of protection</b>	IP20 conforming to IEC 61131-2 IP66f IP67f
<b>Operating altitude</b>	6561.68 ft (2000 m)
<b>NEMA degree of protection</b>	NEMA 4X/13
<b>Ambient air temperature for operation</b>	32...122 °F (0...50 °C) panel side 32...131 °F (0...55 °C) book mounting side 32...131 °F (0...55 °C) flat mounting top 32...131 °F (0...55 °C) panel top 32...122 °F (0...50 °C) panel with 19" W, 22" W display) side
<b>Ambient air temperature for storage</b>	-4...140 °F (-20...60 °C)
<b>Relative humidity</b>	10...90 % non-condensing
<b>Vibration resistance</b>	9.8 m/s <sup>2</sup> 9...150 Hz) - M.2 SSD - IEC 61131-2
<b>Shock resistance</b>	147 m/s <sup>2</sup> X, Y, Z directions for 3 times
<b>Electromagnetic compatibility</b>	Electrostatic discharge immunity test 6 kV contact discharge IEC 61000-4-2 level 3

## Ordering and shipping details

<b>Category</b>	US10MC222577
<b>Discount Schedule</b>	0MC2
<b>GTIN</b>	3606486435007
<b>Returnability</b>	Yes
<b>Country of origin</b>	US

## Packing Units

<b>Unit Type of Package 1</b>	PCE
<b>Nbr. of units in pkg.</b>	1
<b>Package 1 Height</b>	22.047 in (56.000 cm)
<b>Package 1 Width</b>	10.236 in (26.000 cm)
<b>Package 1 Length</b>	25.787 in (65.500 cm)
<b>Package weight(Lbs)</b>	18.519 lb(US) (8.400 kg)

## Contractual warranty

<b>Warranty (in months)</b>	18
-----------------------------	----



## Environmental Data

Schneider Electric aims to achieve Net Zero status by 2050 through supply chain partnerships, lower impact materials, and circularity via our ongoing “Use Better, Use Longer, Use Again” campaign to extend product lifetimes and recyclability.

[Environmental Data explained >](#)

[How we assess product sustainability >](#)

### Environmental footprint

Total lifecycle Carbon footprint	3 427 kg CO2 eq.
Environmental Disclosure	<a href="#">Product Environmental Profile</a>
Carbon footprint of the manufacturing phase [A1 to A3]	400 kg CO2 eq.
Carbon footprint of the distribution phase [A4]	1 kg CO2 eq.
Carbon footprint of the installation phase [A5]	2 kg CO2 eq.
Carbon footprint of the use phase [B2, B3, B4, B6]	3 018 kg CO2 eq.
Carbon footprint of the end-of-life phase [C1 to C4]	7 kg CO2 eq.

## Use Better

### Materials and Substances

F-gas usage performance	K izolaci a zhašení je využíváno pouze vzduchové a vakuové médium; bez obsahu F-plynů včetně SF6.
Packaging made with recycled cardboard	Yes
Packaging without single use plastic	No
<a href="#">EU RoHS Directive</a>	Pro-active compliance (Product out of EU RoHS legal scope)
SCIP Number	3e485f57-089b-461f-87ef-eb75768c4245
REACH Regulation	<a href="#">REACH Declaration</a>
California proposition 65	WARNING: This product can expose you to chemicals including: Lead and lead compounds, which is known to the State of California to cause cancer and birth defects or other reproductive harm. For more information go to <a href="http://www.P65Warnings.ca.gov">www.P65Warnings.ca.gov</a>
Halogen content performance	Product contains halogen above thresholds
PVC free	No
Silicon free	No

## Use Longer

### Lifetime extension

Repair	No
--------	----

## Use Again

### Repack and remanufacture

Recyclability potential, in %	55
-------------------------------	----

Circularity Profile

[End of Life Information](#)

Removable battery

User replaceable

Take-back

No

WEEE Label



The product must be disposed on European Union markets following specific waste collection and never end up in rubbish bins.

# Product data sheet HMIP6DGB0NA0WNAN00

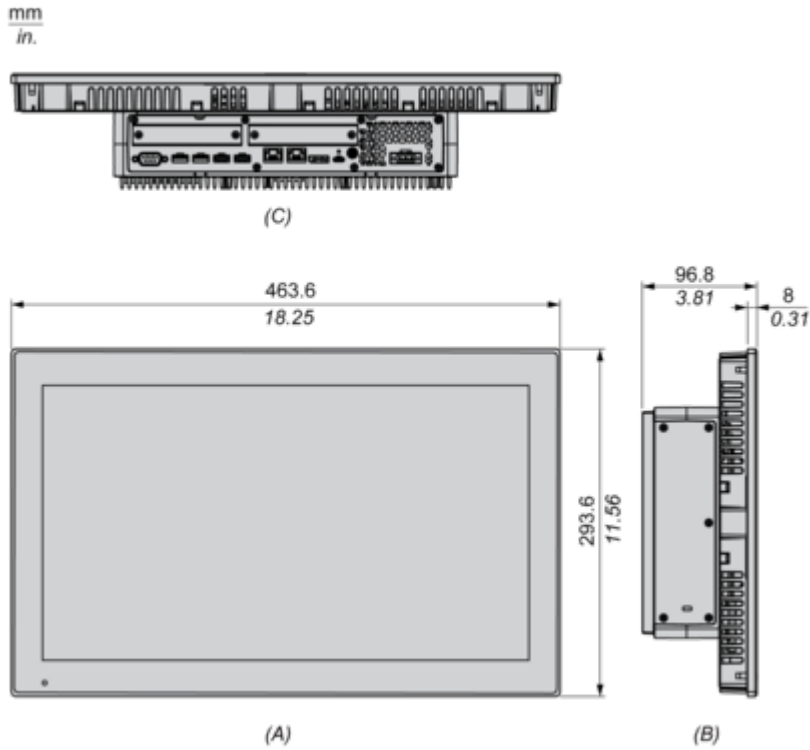
## Dimensions Drawings

### Dimensions

---

#### 19-inch Wide Advanced Model

External Dimensions



(A) : Front

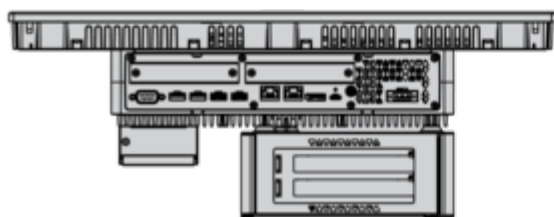
(B) : Left

(C) : Bottom

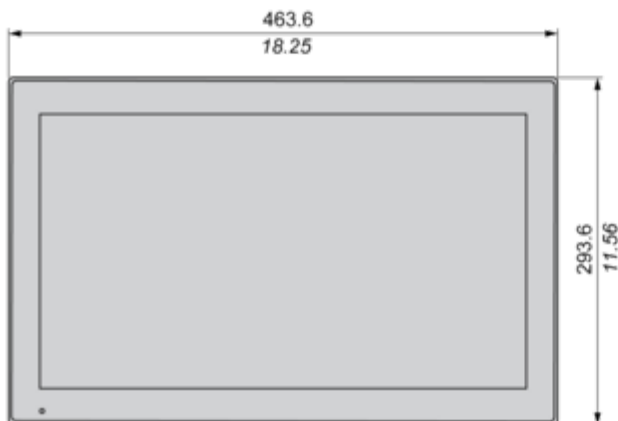
External Dimensions with PCI/PCIe Slots and FAN kit

# Product data sheet HMIP6DGB0NA0WNaN00

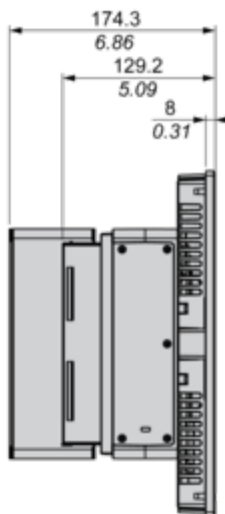
mm  
in.



(C)



(A)



(B)

- (A) : Front
- (B) : Left
- (C) : Bottom

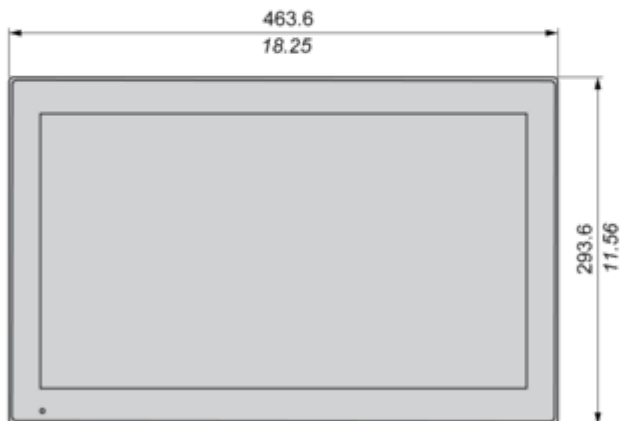
## 19-inch Wide Standard Model

External Dimensions

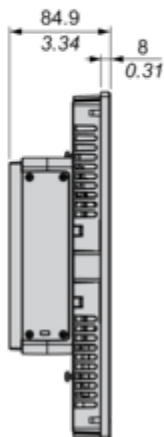
mm  
in.



(C)



(A)



(B)

- (A) : Front

# Product data sheet HMIP6DGB0NA0WNAN00

(B) : Left  
(C) : Bottom

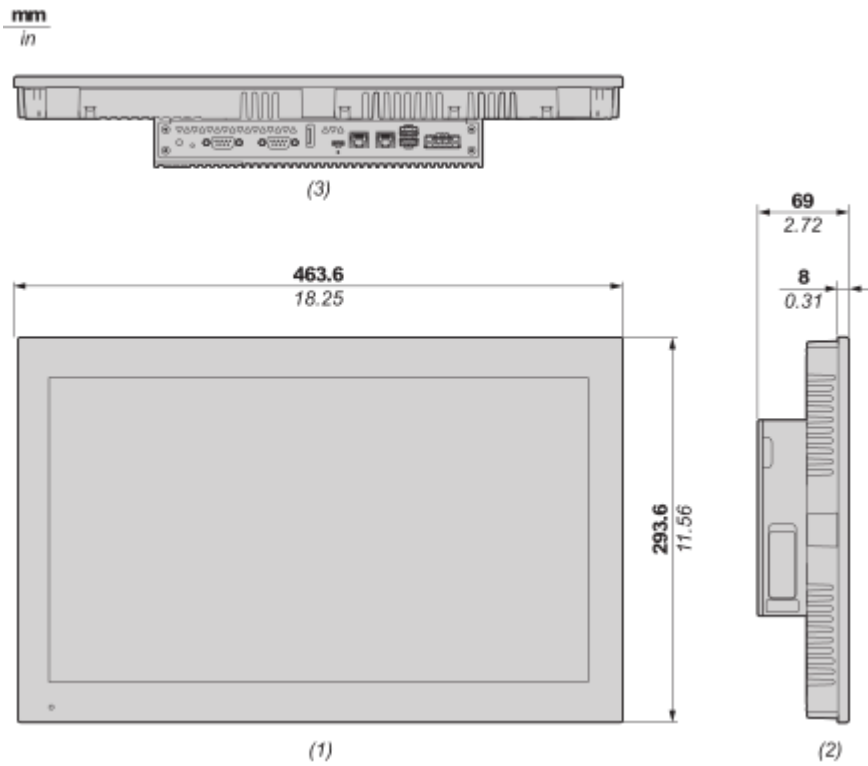
# Product data sheet HMIP6DGB0NA0WNAN00

## Dimensions

---

### 19-inch Wide Basic Model

#### External Dimensions



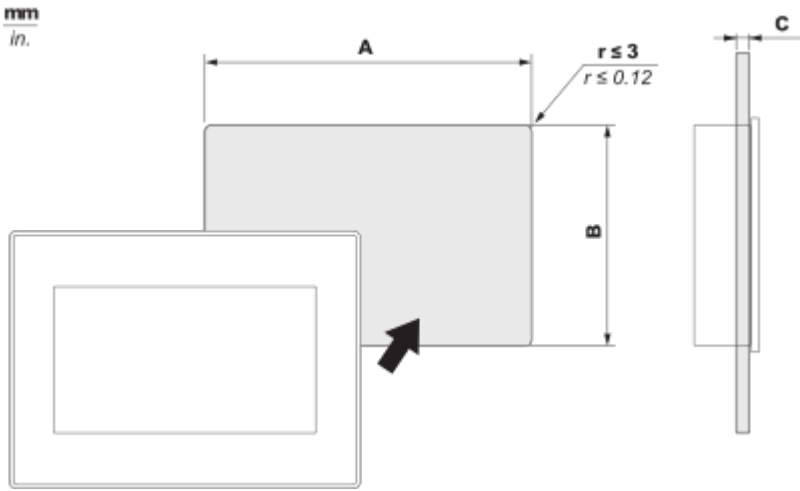
- (1) : Front
- (2) : Left
- (3) : Bottom

# Product data sheet HMIP6DGB0NA0WNAN00

## Mounting and Clearance

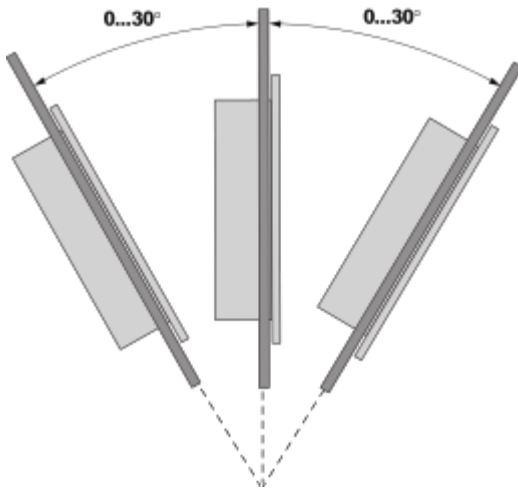
### Mounting

#### Panel Cut Dimensions



A		B		C	
mm	in.	mm	in.	mm	in.
449.5 (+1, -0)	17.7 (+0.04, -0)	279.5 (+1, -0)	11.0 (+0.04, -0)	1.6...5	0.06...0.2

#### Mounting Angle

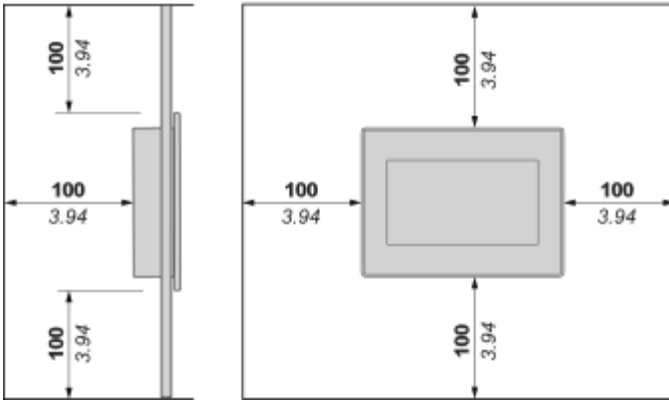


When installing this product in a slanted position, the product face should not incline more than  $30^\circ$ .

#### Clearance

# Product data sheet HMIP6DGB0NA0WNAN00

mm  
in.



# Product data sheet HMIP6DGB0NA0WNAN00

## Technical Illustration

### Dimensions

---

mm  
in.

19-inch Wide Basic Model

