

Product data sheet

Specifications



Power relay, SE Relays, DPDT, 40A, 24 VAC, magnetic blowout, open type

199ABX-13

⚠ To be discontinued

⚠ To be discontinued on: Mar 31, 2026

⚠ To be end-of-service on: Jun 30, 2026

Product availability: Stock - Normally stocked in distribution facility

Main

Product Type	Power relay
Switch Function	DPDT
Contact Composition	2 C/O
Contact Blow-out Type	Magnetic
Cover Type	Open cover

Complementary

Input Current	40 A
Short Circuit Current	3 kA
Associated Fuse Rating	50 A gG at 690 V coordination type 2 for power circuit
Average Pole Impedance	4 mOhm
Contacts Material	Silver alloy contacts
Wire Strip Length	0.3 in (8 mm)
Rated Operational Voltage	6...600 V AC 50-60 Hz 6...250 V DC
Minimum Switching Current	1000 mA 5 V AC/DC
Coil Resistance	12 Ohm
Input voltage	24 V AC
Drop-out Voltage Threshold	$\geq 0.1 U_c$ AC/DC
Rated Operational Current	40 A at 300 V AC (on resistive load) conforming to UL 40 A at 28 V DC (on resistive load) conforming to UL 20 A at 110 V DC (on resistive load) conforming to UL 8 A at 220 V DC (on resistive load) conforming to UL 4 A at 325 V DC (on resistive load) conforming to UL 2 A at 500 V DC (on resistive load) conforming to UL
Power consumption in W	4 W DC
Power consumption in VA	10 VA AC
Voltage Range	0.85...1.1 U_n AC/DC
Maximum Switching Voltage	600 V AC
Motor Power HP	2 hp 120...600 V AC 50/60 Hz
Connections Terminals	screw terminal - 1 x 0.009 in ² (6 mm ²)
Terminal Tightening Torque	10.6...15.05 lbf.in (1.2...1.7 N.m)

Price is "List Price" and may be subject to a trade discount – check with your local distributor or retailer for actual price.

Environment

Ambient Air Temperature for Operation	-67...131 °F (-55...55 °C)
Ambient Air Temperature for Storage	-67...212 °F (-55...100 °C)
Product Certifications	UL Listed CSA CE
Electrical Durability	50000 cycles resistive
Dielectric Strength	2200 V AC between coil and contact 2200 V AC between poles 1500 V AC between open contacts

Ordering and shipping details

Category	US10CP221127
Discount Schedule	0CP2
GTIN	3606481104014
Returnability	Yes
Country of origin	CN

Packing Units

Unit Type of Package 1	PCE
Nbr. of units in pkg.	1
Package 1 Height	2.31 in (5.88 cm)
Package 1 Width	3.13 in (7.94 cm)
Package 1 Length	2.50 in (6.36 cm)
Package weight(Lbs)	11.005 oz (312 g)

Contractual warranty

Warranty (in months)	18
----------------------	----



Environmental Data

Schneider Electric aims to achieve Net Zero status by 2050 through supply chain partnerships, lower impact materials, and circularity via our ongoing “Use Better, Use Longer, Use Again” campaign to extend product lifetimes and recyclability.

[Environmental Data explained >](#)

[How we assess product sustainability >](#)



Environmental footprint

Total lifecycle Carbon footprint	129 kg CO2 eq.
Environmental Disclosure	Product Environmental Profile
Carbon footprint of the manufacturing phase [A1 to A3]	2 kg CO2 eq.
Carbon footprint of the distribution phase [A4]	0.2 kg CO2 eq.
Carbon footprint of the installation phase [A5]	0 kg CO2 eq.
Carbon footprint of the use phase [B2, B3, B4, B6]	126 kg CO2 eq.
Carbon footprint of the end-of-life phase [C1 to C4]	0.5 kg CO2 eq.

Use Better



Materials and Substances

Packaging made with recycled cardboard	Yes
Packaging without single use plastic	No
EU RoHS Directive	Pro-active compliance (Product out of EU RoHS legal scope)
REACH Regulation	REACH Declaration
California proposition 65	WARNING: This product can expose you to chemicals including: Nickel compounds, which is known to the State of California to cause cancer, and Di-isodecyl phthalate (DIDP), which is known to the State of California to cause birth defects or other reproductive harm. For more information go to www.P65Warnings.ca.gov

Use Longer



Lifetime extension

Repair	No
--------	----

Use Again



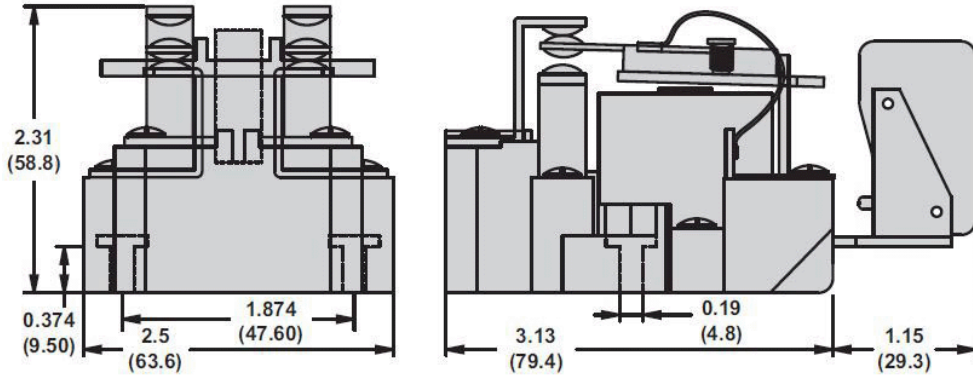
Repack and remanufacture

Recyclability potential, in %	66
Circularity Profile	No need of specific recycling operations
Take-back	No

Dimensions Drawings

Approximate Dimensions

DPDT – Long Base (shown w/optional Auxiliary Switch)



Connections and Schema

Connections and Wiring Diagrams

