

# Product datasheet

Specifications



servo motor BSH, Lexium 05,  
1.4N.m, 3000rpm, 70mm, untapped  
shaft, Sincos multi turn, without  
brake, IP65, straight

BSH0701P22A1A

! Discontinued

! Discontinued on: 9 Feb 2023

## Main

<b>Device short name</b>	BSH
<b>Product or component type</b>	Servo motor
<b>Maximum mechanical speed</b>	8000 rpm
<b>Continuous stall torque</b>	1.4 N.m for LXM32.D12N4 at 3 A, 400 V, three phase 1.4 N.m for LXM32.D12N4 at 3 A, 480 V, three phase 1.4 N.m for LXM05AD10M3X at 3 A, 200...240 V, three phase 1.4 N.m for LXM05BD10M3X, 200...240 V, three phase 1.4 N.m for LXM05CD10M3X, 200...240 V, three phase 1.4 N.m for LXM15LD13M3, 230 V, single phase 1.4 N.m for LXM05AD10M2, 200...240 V, single phase 1.4 N.m for LXM05BD10M2, 200...240 V, single phase 1.4 N.m for LXM05CD10M2, 200...240 V, single phase 1.4 N.m for LXM15LU60N4, 230 V, three phase
<b>Peak stall torque</b>	3.5 N.m for LXM32.D12N4 at 3 A, 400 V, three phase 3.5 N.m for LXM32.D12N4 at 3 A, 480 V, three phase 2.66 N.m for LXM05AD10M3X at 3 A, 200...240 V, three phase 2.66 N.m for LXM05BD10M3X, 200...240 V, three phase 2.66 N.m for LXM05CD10M3X, 200...240 V, three phase 2.66 N.m for LXM15LD13M3, 230 V, single phase 2.66 N.m for LXM05AD10M2, 200...240 V, single phase 2.66 N.m for LXM05BD10M2, 200...240 V, single phase 2.66 N.m for LXM05CD10M2, 200...240 V, single phase 2.66 N.m for LXM15LU60N4, 230 V, three phase
<b>Nominal output power</b>	700 W for LXM32.D12N4 at 3 A, 400 V, three phase 700 W for LXM32.D12N4 at 3 A, 480 V, three phase 400 W for LXM05AD10M2 at 3 A, 200...240 V, single phase 400 W for LXM05BD10M2, 200...240 V, single phase 400 W for LXM05CD10M2, 200...240 V, single phase 411 W for LXM15LD13M3, 230 V, single phase 400 W for LXM05AD10M3X, 200...240 V, three phase 400 W for LXM05BD10M3X, 200...240 V, three phase 400 W for LXM05CD10M3X, 200...240 V, three phase 411 W for LXM15LU60N4, 230 V, three phase
<b>Nominal torque</b>	1.32 N.m for LXM32.D12N4 at 3 A, 400 V, three phase 1.32 N.m for LXM32.D12N4 at 3 A, 480 V, three phase 1.3 N.m for LXM05AD10M2 at 3 A, 200...240 V, single phase 1.3 N.m for LXM05BD10M2, 200...240 V, single phase 1.3 N.m for LXM05CD10M2, 200...240 V, single phase 1.31 N.m for LXM15LD13M3, 230 V, single phase 1.3 N.m for LXM05AD10M3X, 200...240 V, three phase 1.3 N.m for LXM05BD10M3X, 200...240 V, three phase 1.3 N.m for LXM05CD10M3X, 200...240 V, three phase 1.31 N.m for LXM15LU60N4, 230 V, three phase

Disclaimer: This documentation is not intended as a substitute for and is not to be used for determining suitability or reliability of these products for specific user applications

<b>Nominal speed</b>	5000 rpm for LXM32.D12N4 at 3 A, 400 V, three phase 5000 rpm for LXM32.D12N4 at 3 A, 480 V, three phase 3000 rpm for LXM05AD10M2 at 3 A, 200...240 V, single phase 3000 rpm for LXM05BD10M2, 200...240 V, single phase 3000 rpm for LXM05CD10M2, 200...240 V, single phase 3000 rpm for LXM05AD10M3X, 200...240 V, three phase 3000 rpm for LXM05BD10M3X, 200...240 V, three phase 3000 rpm for LXM05CD10M3X, 200...240 V, three phase 3000 rpm for LXM15LD13M3, 230 V, single phase 3000 rpm for LXM15LU60N4, 230 V, three phase
<b>Product compatibility</b>	LXM05AD10M2 at 200...240 V single phase LXM05BD10M2 at 200...240 V single phase LXM05CD10M2 at 200...240 V single phase LXM15LD13M3 at 230 V single phase LXM15LU60N4 at 230 V three phase LXM05AD10M3X at 200...240 V three phase LXM05BD10M3X at 200...240 V three phase LXM05CD10M3X at 200...240 V three phase LXM32.D12N4 at 400 V three phase LXM32.D12N4 at 480 V three phase
<b>Shaft end</b>	Untapped
<b>IP degree of protection</b>	IP65 standard IP67 with IP67 kit
<b>Speed feedback resolution</b>	131072 points/turn x 4096 turns
<b>Holding brake</b>	Without
<b>Mounting support</b>	International standard flange
<b>Electrical connection</b>	Straight connectors

## Complementary

<b>Range compatibility</b>	Lexium 05 Lexium 15 Lexium 32
<b>supply voltage max</b>	480 V
<b>Network number of phases</b>	Three phase
<b>Continuous stall current</b>	1.8 A
<b>maximum continuous power</b>	1.06 W
<b>Maximum current Irms</b>	5.7 A for LXM05AD10M3X 5.7 A for LXM05BD10M2 5.7 A for LXM05BD10M3X 5.7 A for LXM05CD10M2 5.7 A for LXM05CD10M3X 5.3 A for LXM15LD13M3 5.3 A for LXM15LU60N4 5.7 A for LXM05AD10M2 5.7 A for LXM32.D12N4
<b>Maximum permanent current</b>	5.7 A
<b>Switching frequency</b>	8 kHz
<b>Second shaft</b>	Without second shaft end
<b>Shaft diameter</b>	11 mm
<b>Shaft length</b>	23 mm
<b>Feedback type</b>	Multiturn SinCos Hiperface
<b>Motor flange size</b>	70 mm
<b>Number of motor stacks</b>	1
<b>Torque constant</b>	0.8 N.m/A at 120 °C
<b>Back emf constant</b>	46 V/krpm at 120 °C

Rotor inertia	0.25 kg.cm <sup>2</sup>
Stator resistance	10.4 Ohm at 20 °C
Stator inductance	38.8 mH at 20 °C
Stator electrical time constant	3.73 ms at 20 °C
Maximum radial force Fr	360 N at 6000 rpm 380 N at 5000 rpm 410 N at 4000 rpm 460 N at 3000 rpm 520 N at 2000 rpm 660 N at 1000 rpm
Maximum axial force Fa	0.2 x Fr
Type of cooling	Natural convection
Length	154 mm
Centring collar diameter	60 mm
Centring collar depth	2.5 mm
Number of mounting holes	4
Mounting holes diameter	5.5 mm
Circle diameter of the mounting holes	82 mm
Net weight	2.2 kg
Sizing reference	BSH0701P
Network number of phases	3
Accuracy error [angular]	1.4 °
Temperature copper hot	120 °C
Temperature magnet hot	100 °C
Temperature magnet rt	20 °C

## Packing Units

Unit Type of Package 1	PCE
Number of Units in Package 1	1
Package 1 Height	12.3 cm
Package 1 Width	12.8 cm
Package 1 Length	37.7 cm
Package 1 Weight	2.1 kg

## Contractual warranty

Warranty (in months)	18
----------------------	----



## Environmental Data

Schneider Electric aims to achieve Net Zero status by 2050 through supply chain partnerships, lower impact materials, and circularity via our ongoing “Use Better, Use Longer, Use Again” campaign to extend product lifetimes and recyclability.

[Environmental Data explained >](#)

[How we assess product sustainability >](#)

### Use Better



#### Materials and Substances

EU RoHS Directive

[Compliant By Exemption](#)

### Use Longer



#### Lifetime extension

Repair

No

### Use Again



#### Repack and remanufacture

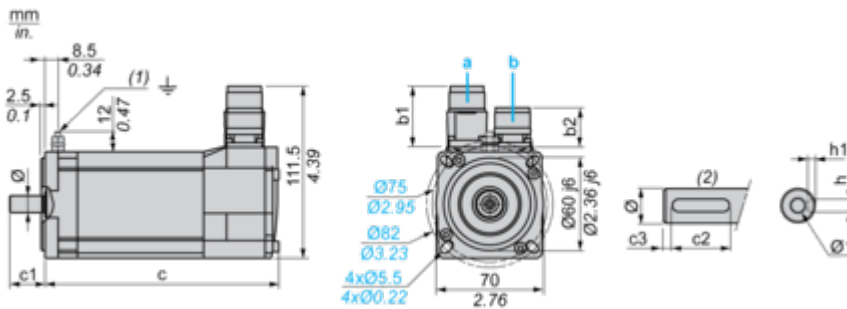
End of life manual availability

No need of specific recycling operations

Dimensions Drawings

Servo Motors Dimensions

Example with Straight Connectors



- a: Power supply for servo motor brake
- b: Power supply for servo motor encoder
- (1) M4 screw
- (2) Shaft end, keyed slot (optional)

Dimensions in mm

Straight connectors		Rotatable angled connectors		c (without brake)	c (with brake)	c1	c2	c3	h	h1	Ø	Ø1 for screws
b1	b2	b1	b2									
39.5	25.5	39.5	39.5	154	180	23	18	2.5	4 N9	2.5 <sup>+0.1</sup> <sub>0</sub>	11 k6	M4 x 10

Dimensions in in.

Straight connectors		Rotatable angled connectors		c (without brake)	c (with brake)	c1	c2	c3	h	h1	Ø	Ø1 for screws
b1	b2	b1	b2									
1.55	1.00	1.55	1.55	6.06	7.08	0.90	0.70	0.09	0.16 N9	0.01 <sup>+0.004</sup> <sub>0</sub>	0.43 k6	M4 x 0.39

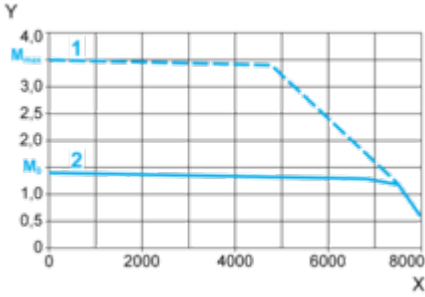
Performance Curves

400 V 3-Phase Supply Voltage

---

Torque/Speed Curves

Servo motor with LXM32•D12N4 servo drive



X Speed in rpm

Y Torque in Nm

1 Peak torque

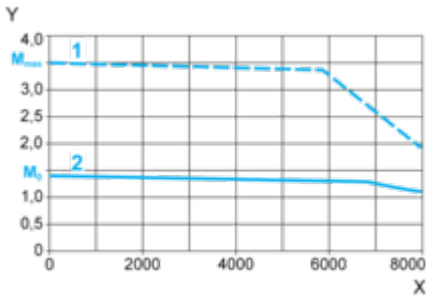
2 Continuous torque

480 V 3-Phase Supply Voltage

---

Torque/Speed Curves

Servo motor with LXM32•D12N4 servo drive



X Speed in rpm

Y Torque in Nm

1 Peak torque

2 Continuous torque