

Product data sheet

Specifications



Panel PC, Harmony P6, IPC, display size 21.5 inch, 4 core

HMIP6DAB0NA0WNNAN00

Product availability: Stock - Normally stocked in distribution facility

Main

Range of Product	Harmony P6
Product or Component Type	Modular box PC Touch panel screen
Software package	Node-RED preinstalled EcoStruxure Machine SCADA Expert (on configured offer) EcoStruxure Operator Terminal Expert (on configured offer) AVEVA system platform (on configured offer) EcoStruxure secure connect (license to be purchased seperately) Stratus EverRun (exchange partner) (license to be purchased seperately) Trellix (license to be purchased seperately)

Complementary

Display size	21.5 inch
Aspect ratio	16:9
Display Type	LED
Display colour	16 million colours
Pixel resolution	1920 x 1080
Backlight lifespan	50000 hours at 77 °F (25 °C)
Number of slots	1 slot(s) for optional interface
[Us] rated supply voltage	12...24 V DC power supply
Supply voltage limits	9...36 V
Type of cooling	Fanless
Inrush current	30 A
Device mounting	Panel mounting VESA mounting
Cut-out dimensions	518.5 (+1/-0) x 316.5 (+1/-0) mm
Width	21.0 in (532.6 mm)
Depth	2.7 in (69 mm)
Height	13.02 in (330.6 mm)
Net Weight	18.08 lb(US) (8.2 kg)

Environment

Standards	EN/IEC 61000-4-2 IEC 61000-4-4 FCC part 15 UL 61010-2-201
Pollution degree	2

Price is "List Price" and may be subject to a trade discount – check with your local distributor or retailer for actual price.

Product certifications	CE CULus CSA UL 61010-2-201 RCM UKCA DNV ATEX zone 2 ATEX zone 22 dust CULus Class 1 Division 2 IECEX zone 2 IECEX zone 22
IP degree of protection	IP20 conforming to IEC 61131-2 IP66f IP67f
Operating altitude	6561.68 ft (2000 m)
NEMA degree of protection	NEMA 4X/13
Ambient air temperature for operation	32...122 °F (0...50 °C) panel side
Ambient air temperature for storage	-4...140 °F (-20...60 °C)
Relative humidity	10...90 % non-condensing
Vibration resistance	9.8 m/s ² 9...150 Hz) - M.2 SSD - IEC 61131-2
Shock resistance	147 m/s ² X, Y, Z directions for 3 times
Electromagnetic compatibility	Electrostatic discharge immunity test 6 kV contact discharge IEC 61000-4-2 level 3

Ordering and shipping details

Category	US10MC222577
Discount Schedule	0MC2
GTIN	3606486435014
Returnability	Yes
Country of origin	CN

Packing Units

Unit Type of Package 1	PCE
Nbr. of units in pkg.	1
Package 1 Height	19.6 in (49.7 cm)
Package 1 Width	23.6 in (60 cm)
Package 1 Length	5.6 in (14.3 cm)
Package weight(Lbs)	310.4 oz (8800 g)

Contractual warranty

Warranty (in months)	18
-----------------------------	----



Environmental Data

Schneider Electric aims to achieve Net Zero status by 2050 through supply chain partnerships, lower impact materials, and circularity via our ongoing “Use Better, Use Longer, Use Again” campaign to extend product lifetimes and recyclability.

[Environmental Data explained >](#)

[How we assess product sustainability >](#)



Environmental footprint

Total lifecycle Carbon footprint	3 571 kg CO2 eq.
Environmental Disclosure	Product Environmental Profile
Carbon footprint of the manufacturing phase [A1 to A3]	497 kg CO2 eq.
Carbon footprint of the distribution phase [A4]	1 kg CO2 eq.
Carbon footprint of the installation phase [A5]	2 kg CO2 eq.
Carbon footprint of the use phase [B2, B3, B4, B6]	3 061 kg CO2 eq.
Carbon footprint of the end-of-life phase [C1 to C4]	9 kg CO2 eq.

Use Better



Materials and Substances

F-gas usage performance	Only air and vacuum used for insulation / breaking, no F-gas including SF6
Packaging made with recycled cardboard	Yes
Packaging without single use plastic	No
EU RoHS Directive	Pro-active compliance (Product out of EU RoHS legal scope)
SCIP Number	3e485f57-089b-461f-87ef-eb75768c4245
REACH Regulation	REACH Declaration
California proposition 65	WARNING: This product can expose you to chemicals including: Lead and lead compounds, which is known to the State of California to cause cancer and birth defects or other reproductive harm. For more information go to www.P65Warnings.ca.gov
Halogen content performance	Product contains halogen above thresholds
PVC free	No
Silicon free	No

Use Longer



Lifetime extension

Repair	No
--------	----

Use Again



Repack and remanufacture

Recyclability potential, in %	55
-------------------------------	----

Circularity Profile

[End of Life Information](#)

Removable battery

User replaceable

Take-back

No

WEEE Label



The product must be disposed on European Union markets following specific waste collection and never end up in rubbish bins.

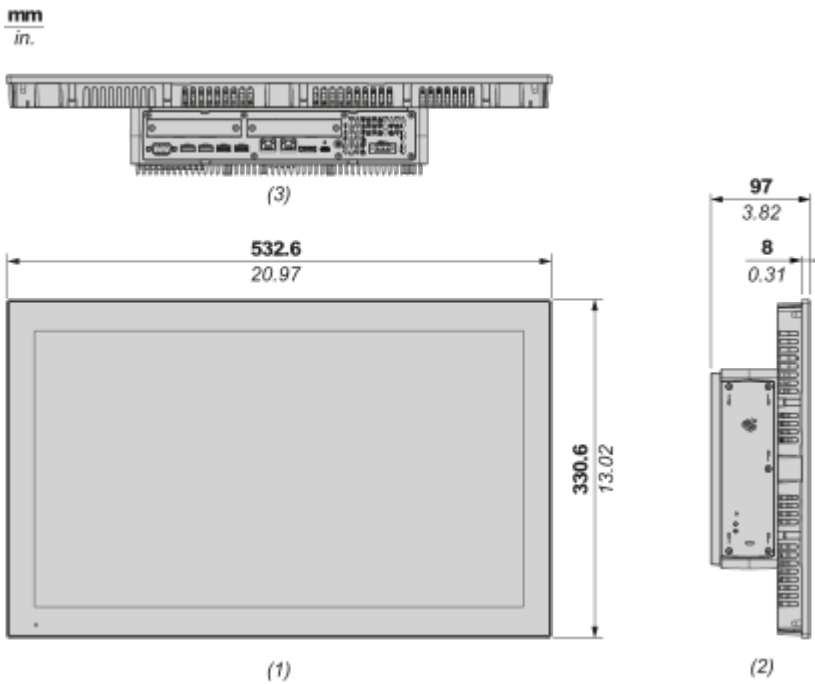
Product data sheet HMIP6DAB0NA0WNAN00

Dimensions Drawings

Dimensions

22-inch Wide Advanced Model

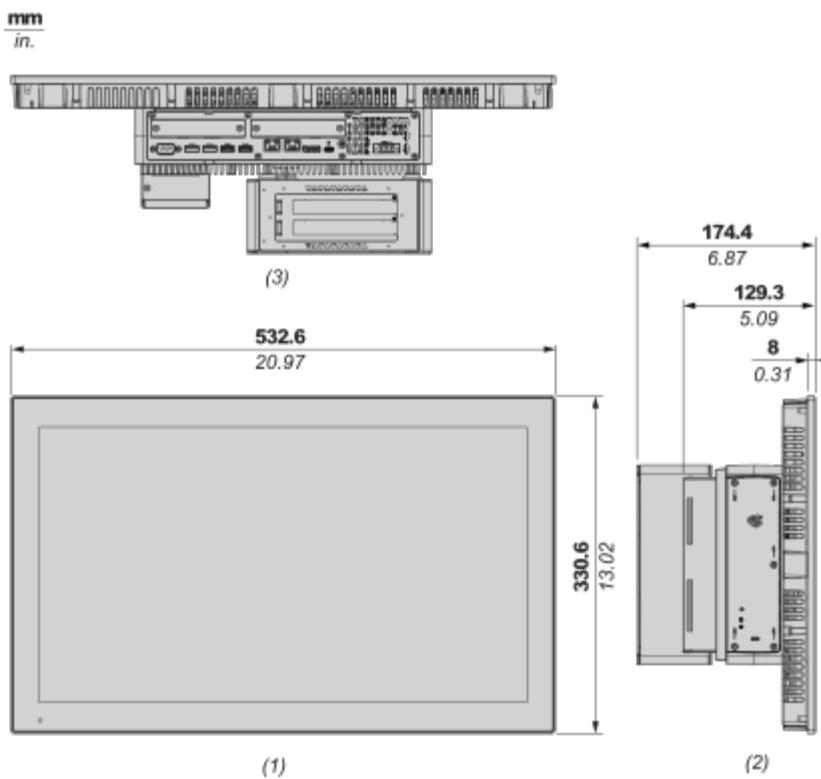
External Dimensions



- (1) : Front
- (2) : Left
- (3) : Bottom

External dimensions with PCI/PCIe slots and Fan kit

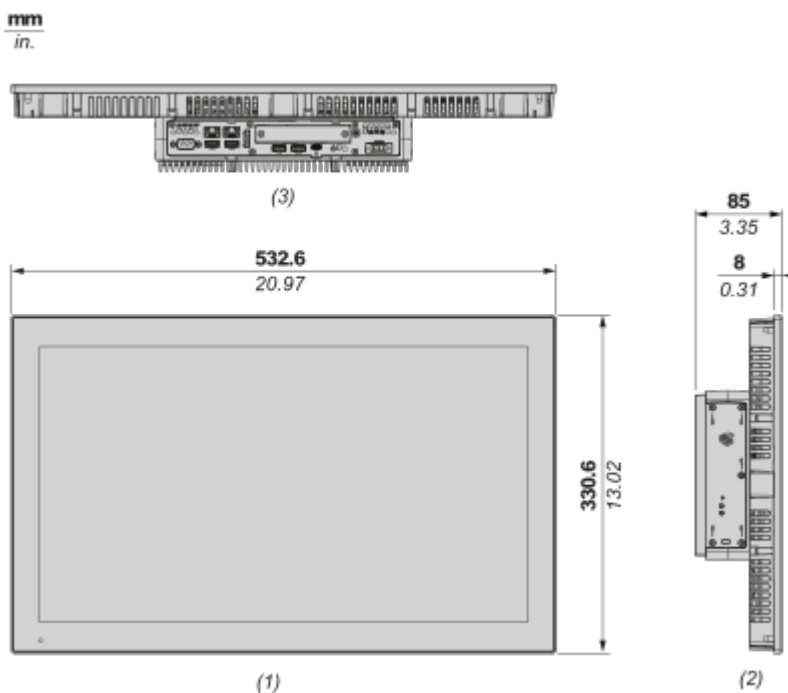
Product data sheet HMIP6DAB0NA0WNaN00



- (1) : Front
- (2) : Left
- (3) : Bottom

22-inch Wide Standard Model

External Dimensions



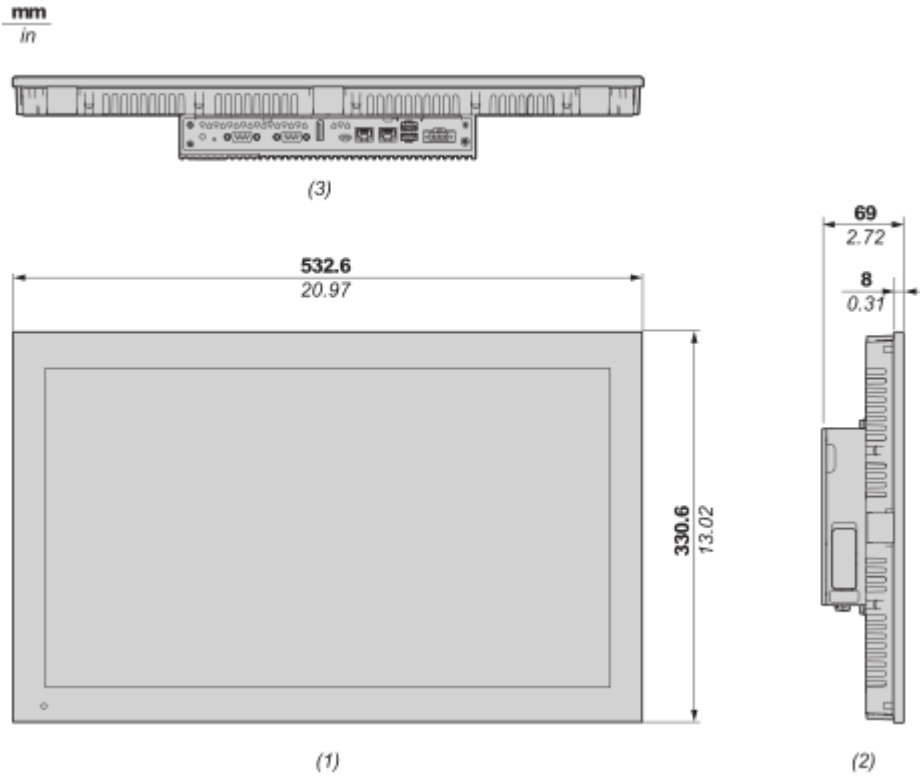
- (1) : Front
- (2) : Left
- (3) : Bottom

Product data sheet HMIP6DAB0NA0WNAN00

Dimensions

22-inch Wide Basic Model

External Dimensions



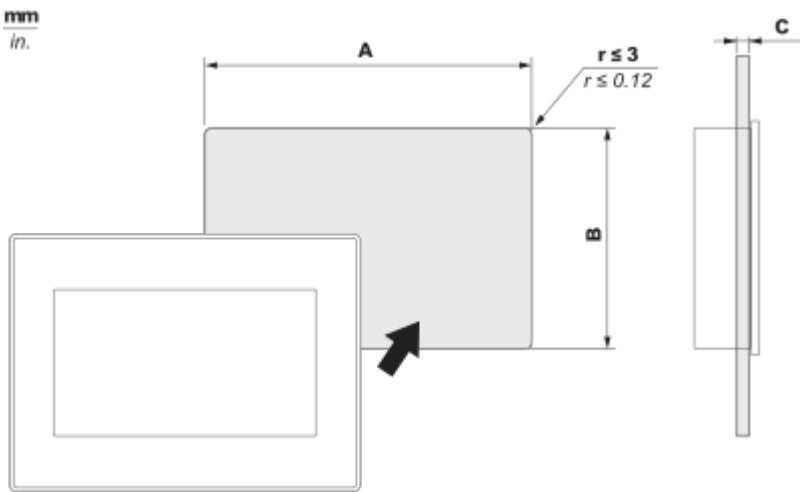
- (1) : Front
- (2) : Left
- (3) : Bottom

Product data sheet HMIP6DAB0NA0WNAN00

Mounting and Clearance

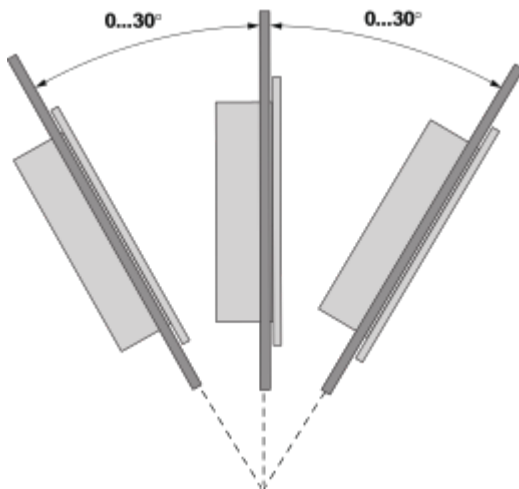
Mounting

Panel Cut Dimensions



A		B		C	
mm	in.	mm	in.	mm	in.
518.5 (+1, -0)	20.41 (+0.04, -0)	316.5 (+1, -0)	12.46 (+0.04, -0)	1.6...5	0.06...0.2

Mounting Angle

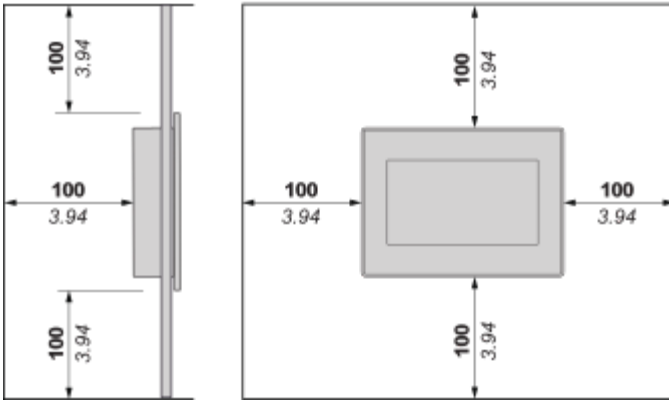


When installing this product in a slanted position, the product face should not incline more than 30° .

Clearance

Product data sheet HMIP6DAB0NA0WNAN00

mm
in.



Product data sheet HMIP6DAB0NA0WNaN00

Technical Illustration

Dimensions

mm
in.

22-inch Wide Basic Model

