



circuit breaker 3VA2 IEC Frame 630 breaking capacity class M Icu=55 kA @ 415 V
3-pole, line protection ETU340, ELISA LI, In=500 A overload protection Ir=200
A...500 A short-circuit protection Ii=14 x In nut keeper kit

| Model | |
|---|-----------------------------|
| product brand name | SENTRON |
| product designation | Molded case circuit breaker |
| design of the product | Line protection |
| design of the overcurrent release | ETU340 |
| protection function of the overcurrent release | ELISA LI |
| number of poles | 3 |
| General technical data | |
| insulation voltage / rated value | 800 V |
| operating voltage / at AC / rated value | 690 V |
| power loss [W] / maximum | 99 W |
| power loss [W] / for rated value of the current / at AC / in hot operating state / per pole | 33 W |
| mechanical service life (operating cycles) / typical | 20 000 |
| electrical endurance (operating cycles) / at AC-1 / at 380/415 V | 5 000 |
| electrical endurance (operating cycles) / at AC-1 / at 690 V | 3 500 |
| product feature / for neutral conductors / upgradable/retrofitable / short-circuit and overload proof | No |
| ground-fault monitoring version | Without |
| product function | |
| • communication function | No |
| • other measurement function | No |
| Net Weight | 4.954 kg |
| Current | |
| short-time withstand current (Icw) / limited to 1 s | 6 kA |
| operational current | |
| • at 40 °C | 500 A |
| • at 45 °C | 500 A |
| • at 50 °C | 500 A |
| • at 55 °C | 477 A |
| • at 60 °C | 455 A |
| • at 65 °C | 432 A |
| • at 70 °C | 410 A |
| Switching capacity according to IEC 60947 | |
| switching capacity class of the circuit breaker | M |
| maximum short-circuit current breaking capacity (Icu) | |

| | |
|--|------------------------------|
| <ul style="list-style-type: none"> • at 240 V • at 415 V • at 440 V • at 500 V • at 690 V | 85 kA |
| operating short-circuit current breaking capacity (Ics) | |
| <ul style="list-style-type: none"> • at 240 V • at 415 V • at 440 V • at 500 V • at 690 V | 85 kA |
| | 55 kA |
| | 55 kA |
| | 36 kA |
| | 6 kA |
| short-circuit current making capacity (Icm) | |
| <ul style="list-style-type: none"> • at 240 V • at 415 V • at 440 V • at 500 V • at 690 V | 187 kA |
| | 121 kA |
| | 121 kA |
| | 75.5 kA |
| | 9 kA |
| Adjustable parameters | |
| product feature / for L-tripping / can be switched on/off | No |
| adjustable current response value current / of the L-trip / with I4t characteristic | 200 ... 500 A |
| adjustable response value delay time (tr) / for L-tripping / with I4t characteristic | |
| <ul style="list-style-type: none"> • minimum • maximum | 600 s |
| | 600 s |
| adjustable response value setting current (Ii) / for I-tripping | |
| <ul style="list-style-type: none"> • minimum • maximum | 7 000 A |
| | 7 000 A |
| adjustable setting current (InN) / for N-tripping | |
| <ul style="list-style-type: none"> • minimum • maximum | 0 A |
| | 0 A |
| product function / grounding protection | No |
| Mechanical Design | |
| product component | |
| <ul style="list-style-type: none"> • undervoltage release • voltage trigger • trip indicator | No |
| | No |
| | No |
| height [in] | 9.76 in |
| height | 248 mm |
| width [in] | 5.43 in |
| width | 138 mm |
| depth [in] | 4.33 in |
| depth | 110 mm |
| Connections | |
| arrangement of electrical connectors / for main current circuit | Front terminal |
| type of electrical connection / for main current circuit | on both sides nut keeper kit |
| type of connectable conductor cross-sections / for flat-bar terminal connection / minimum | 20 x 1 mm |
| type of connectable conductor cross-sections / for flat-bar terminal connection / maximum | 35 x 10 mm |
| design of the surface / of the connections / on the top of the switch (N, 1, 3, 5) | silver |
| design of the surface / of the connections / on the bottom of the switch (N, 2, 4, 6) | silver |
| Auxiliary circuit | |
| number of CO contacts / for auxiliary contacts | 0 |
| Accessories | |
| product extension / optional / motor drive | Yes |
| Environmental conditions | |
| protection class IP / on the front | IP40 |

| | |
|------------------------------|--------|
| ambient temperature | |
| • during operation / minimum | -25 °C |
| • during operation / maximum | 70 °C |
| • during storage / minimum | -40 °C |
| • during storage / maximum | 80 °C |

| Environmental footprint | |
|--|-----------------|
| global warming potential [CO2 eq] / total | 495 kg |
| global warming potential [CO2 eq] / during manufacturing | 28.7 kg |
| global warming potential [CO2 eq] / during operation | 470 kg |
| global warming potential [CO2 eq] / after end of life | -4.07 kg |
| Siemens Eco Profile (SEP) | Siemens EcoTech |
| reference code / according to IEC 81346-2 | Q |

Approvals / Certificates

General Product Approval



[Miscellaneous](#)



[Confirmation](#)

| General Product Approval | EMV | Test Certificates |
|--------------------------|-----|-------------------|
|--------------------------|-----|-------------------|



[Miscellaneous](#)

[Special Test Certificate](#)

[Type Test Certificates/Test Report](#)

Maritime application



[CCS \(China Classification Society\)](#)

| other | Dangerous goods | Environment |
|-------|-----------------|-------------|
|-------|-----------------|-------------|

[Miscellaneous](#)

[Miscellaneous](#)

[Confirmation](#)



[Transport Information](#)

[Environmental Confirmations](#)

Environment



[Environmental Confirmations](#)



Further information

Information on the packaging

<https://support.industry.siemens.com/cs/ww/en/view/109813875>

Information for data generation and storage

<https://support.industry.siemens.com/cs/ww/en/view/109995012>

Information- and Downloadcenter (Catalogs, Brochures,...)

<https://www.siemens.com/lowvoltage/catalogs>

Industry Mall (Online ordering system)

<https://mall.industry.siemens.com/mall/en/en/Catalog/product?mlfb=3VA2450-5HK32-0AA0>

Service&Support (Manuals, Certificates, Characteristics, FAQs,...)

<https://support.industry.siemens.com/cs/ww/en/ps/3VA2450-5HK32-0AA0>

Image database (product images, 2D dimension drawings, 3D models, device circuit diagrams, ...)

https://www.automation.siemens.com/bilddb/cax_en.aspx?mlfb=3VA2450-5HK32-0AA0

CAX-Online-Generator

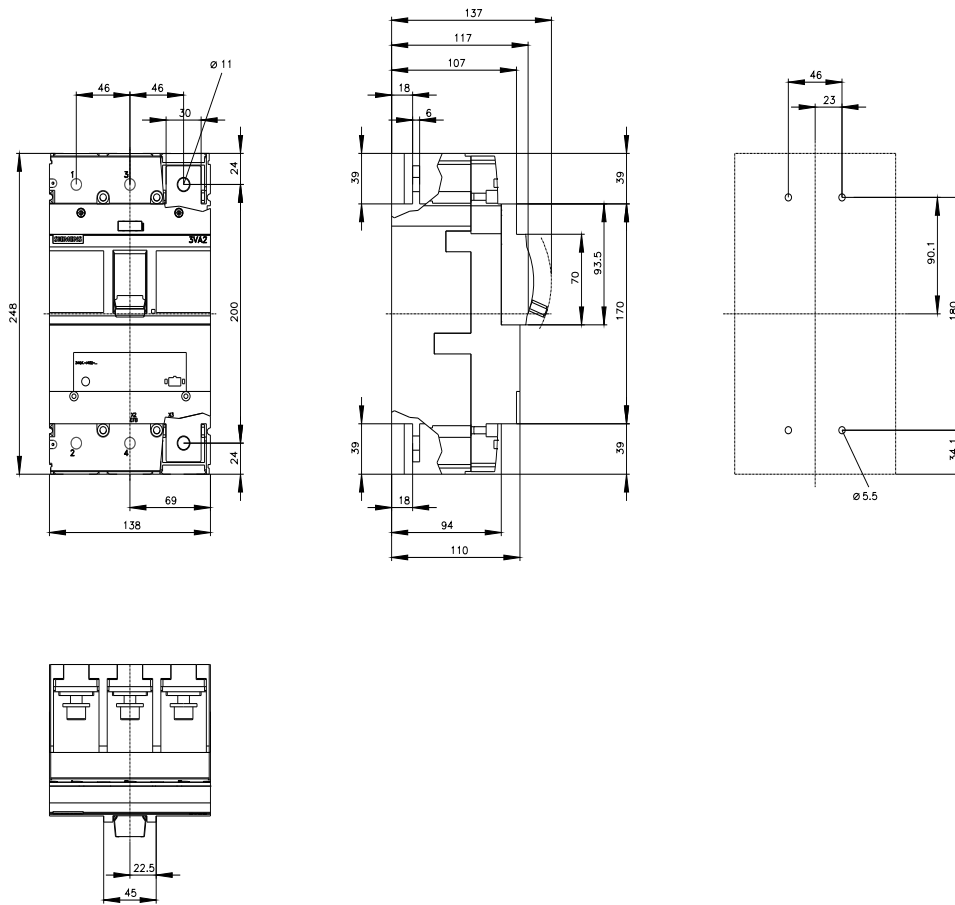
<https://www.siemens.com/cax>

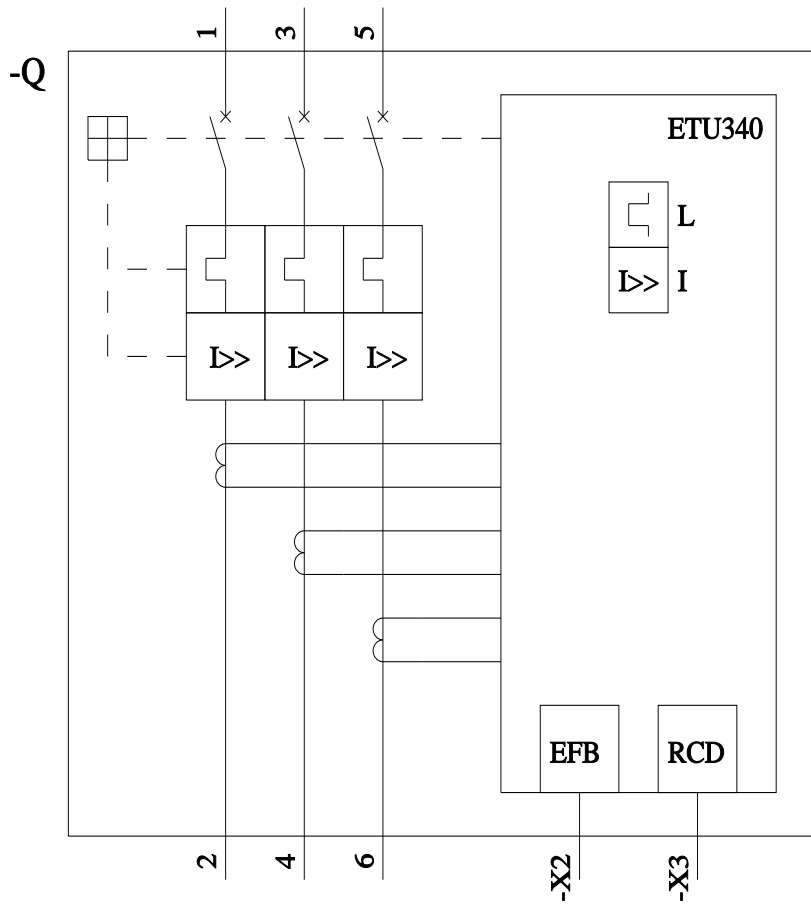
Tender specifications

<https://www.siemens.com/specifications>

Characteristic curves

https://curves.simaris.siemens.com/curves/<mmp_prod_noCOMP='HAUPT'></mmp_prod_no>





last modified:

4/23/2026 

