

# Product datasheet

Specifications



## passive filter, Altivar, 90A, 400V, 50Hz, for variable speed drive

VW3A46110

### Main

Product or component type	Passive filter
Product specific application	Reduction of current harmonics

### Complementary

Range compatibility	Altivar Process ATV900 Altivar 71 Altivar Process ATV600 Altivar 61
[Us] rated supply voltage	400 V +/- 10 %
power supply frequency	50 Hz +/- 2 %
Quantity per drive	1 filter per drive for variable speed drive ATV61W motor: 45 kW/60 hp 1 filter per drive for variable speed drive ATV61H motor: 45 kW/60 hp 1 filter per drive for variable speed drive ATV71H motor: 45 kW/60 hp 1 filter per drive for variable speed drive ATV71W motor: 45 kW/60 hp 1 filter per drive for variable speed drive ATV650 wall mount, motor: 45 kW/60 hp 1 filter per drive for variable speed drive ATV630 wall mount, motor: 45 kW/60 hp 1 filter per drive for variable speed drive ATV950 wall mount, motor: 45 kW/60 hp 1 filter per drive for variable speed drive ATV930 wall mount, motor: 45 kW/60 hp
[In] rated current	86 A for input 90 A for output
Network number of phases	3 phases
THDI	10 % for variable speed drive ATV61W motor: 45 kW/60 hp 16 % for variable speed drive ATV61H motor: 45 kW/60 hp 16 % for variable speed drive ATV71H motor: 45 kW/60 hp 16 % for variable speed drive ATV71W motor: 45 kW/60 hp 10 % for variable speed drive ATV650 motor: 45 kW/60 hp 10 % for variable speed drive ATV630 motor: 45 kW/60 hp 10 % for variable speed drive ATV950 motor: 45 kW/60 hp 10 % for variable speed drive ATV930 motor: 45 kW/60 hp
Max current	1.5 x nominal current (duration = 60 s)
Efficiency	98 %
Thermal losses	428 W
Cos phi	1 (150 % of line current) 0.85 (75 % of line current) 0.99 (100 % of line current)
Electrical connection	A, B terminal, connection capacity: 2.5 mm <sup>2</sup> X1-1...X2-3 terminal, connection capacity: 10...70 mm <sup>2</sup>
Electrical insulation class	Class F
Net weight	62 kg

### Environment

IP degree of protection	IP20 IP55 (enclosure mounting)
-------------------------	-----------------------------------

Disclaimer: This documentation is not intended as a substitute for and is not to be used for determining suitability or reliability of these products for specific user applications

<b>Vibration resistance</b>	2 mm peak to peak (f= 5...13.2 Hz) conforming to IEC 60068-2-6 0.7 gn (f= 13.2...150 Hz) conforming to IEC 60068-2-6
<b>Relative humidity</b>	5...85 % without condensation
<b>Ambient air temperature for operation</b>	45...60 °C (with current derating 3 % per °C) 5...45 °C (without current derating)
<b>Ambient air temperature for storage</b>	-25...55 °C storage in original packaging -25...65 °C during transport
<b>Operating altitude</b>	<= 1000 m without current derating > 1000...4000 m with current derating 5 % per 1000 m
<b>Standards</b>	IEC 61000-3-4 IEC 61000-3-12 IEC 61000-2-4 G5/4 engineering recommendation IEC 61000-3-2 IEC 61000-2-2

## Packing Units

<b>Unit Type of Package 1</b>	PCE
<b>Number of Units in Package 1</b>	1
<b>Package 1 Height</b>	63.000 cm
<b>Package 1 Width</b>	60.000 cm
<b>Package 1 Length</b>	80.000 cm
<b>Package 1 Weight</b>	75.000 kg

## Contractual warranty

<b>Warranty (in months)</b>	18
-----------------------------	----



## Environmental Data

Schneider Electric aims to achieve Net Zero status by 2050 through supply chain partnerships, lower impact materials, and circularity via our ongoing “Use Better, Use Longer, Use Again” campaign to extend product lifetimes and recyclability.

[Environmental Data explained >](#)

[How we assess product sustainability >](#)

### Use Better



#### Materials and Substances

Packaging made with recycled cardboard	No
Packaging without single use plastic	No
EU RoHS Directive	<a href="#">Compliant</a>

### Use Longer



#### Lifetime extension

Repair	No
--------	----

### Use Again

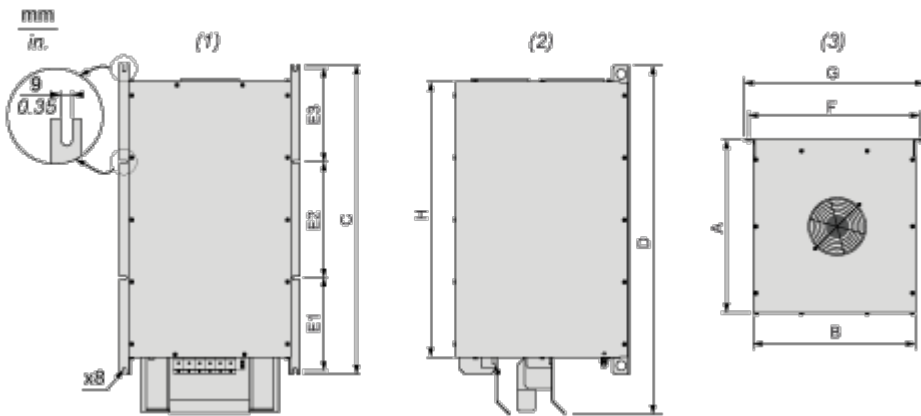


#### Repack and remanufacture

Take-back	No
-----------	----

Dimensions Drawings

Dimensions



- (1) Front view
- (2) Right side view
- (3) Top view

Dimensions in mm

A	B	C	D	E1	E2	E3	F	G	H
333	370	685	736.8	212	240	212	393	418	598

Dimensions in in.

A	B	C	D	E1	E2	E3	F	G	H
13.11	14.57	26.97	29.00	8.35	9.45	8.35	15.47	16.46	23.54

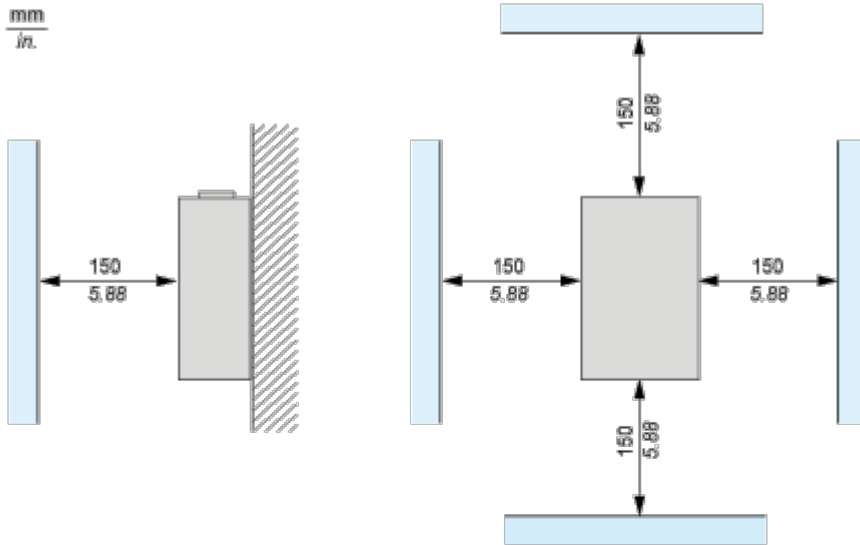
Mounting and Clearance

Mounting Recommendations

---

Vertical Mounting Only

mm  
in.

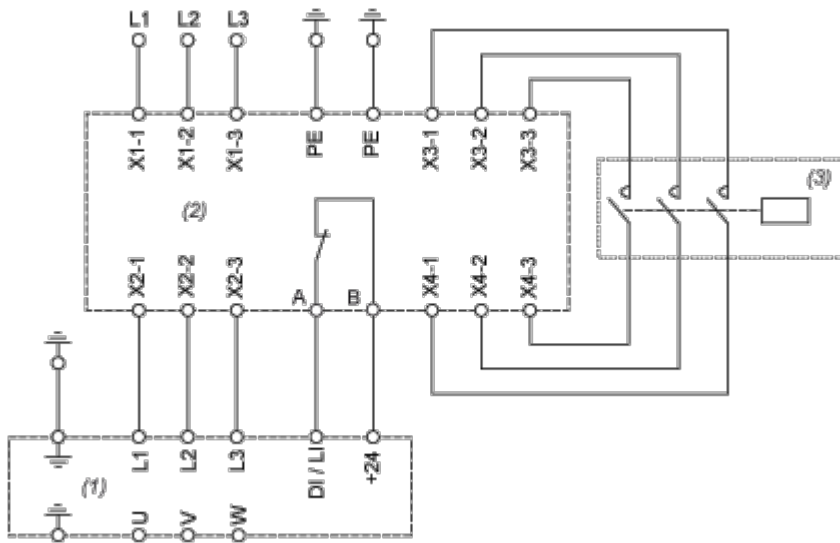


(1) Filter

Connections and Schema

Recommended Schema

---



- (1) Drive
- (2) Filter
- (3) Optional