



SIRIUS soft starter S2 45 A, 30 kW/500 V, 40 °C 400-600 V AC, 110-230 V AC/DC spring-type terminals

General technical data

product brand name	SIRIUS
product designation	Soft starter
product feature	
• integrated bypass contact system	Yes
• thyristors	Yes
product function	
• intrinsic device protection	Yes
• motor overload protection	Yes
• evaluation of thermistor motor protection	No
• external reset	Yes
• adjustable current limitation	Yes
• inside-delta circuit	No
product component motor brake output	No
insulation voltage rated value	600 V
degree of pollution	3, acc. to IEC 60947-4-2
blocking voltage of the thyristor maximum	1 600 V
reference code according to EN 61346-2	Q
reference code according to DIN 40719 extended according to IEC 204-2 according to IEC 750	G

Power Electronics

operational current	
• at 40 °C rated value	45 A
• at 50 °C rated value	42 A
• at 60 °C rated value	39 A
yielded mechanical performance for 3-phase motors	
• at 400 V	
— at standard circuit at 40 °C rated value	22 kW
• at 500 V	
— at standard circuit at 40 °C rated value	30 kW
operating frequency rated value	50 ... 60 Hz
relative negative tolerance of the operating frequency	-10 %
relative positive tolerance of the operating frequency	10 %
operating voltage at standard circuit rated value	400 ... 600 V
relative negative tolerance of the operating voltage at standard circuit	-15 %
relative positive tolerance of the operating voltage at	10 %

standard circuit	
minimum load [%]	20 %
adjustable motor current for motor overload protection minimum rated value	23 A
continuous operating current [% of I_e] at 40 °C	115 %
power loss [W] at operational current at 40 °C during operation typical	6 W
Control circuit/ Control	
type of voltage of the control supply voltage	AC/DC
control supply voltage frequency 1 rated value	50 Hz
control supply voltage frequency 2 rated value	60 Hz
relative negative tolerance of the control supply voltage frequency	-10 %
relative positive tolerance of the control supply voltage frequency	10 %
control supply voltage 1 at AC at 50 Hz	110 ... 230 V
control supply voltage 1 at AC at 60 Hz	110 ... 230 V
relative negative tolerance of the control supply voltage at AC at 50 Hz	-15 %
relative positive tolerance of the control supply voltage at AC at 50 Hz	10 %
relative negative tolerance of the control supply voltage at AC at 60 Hz	-15 %
relative positive tolerance of the control supply voltage at AC at 60 Hz	10 %
control supply voltage 1 at DC	110 ... 230 V
relative negative tolerance of the control supply voltage at DC	-15 %
relative positive tolerance of the control supply voltage at DC	10 %
display version for fault signal	red
Mechanical data	
size of engine control device	S2
width	55 mm
height	160 mm
depth	170 mm
fastening method	screw and snap-on mounting
mounting position	With additional fan: With vertical mounting surface +/-90° rotatable, with vertical mounting surface +/- 22.5° tiltable to the front and back Without additional fan: With vertical mounting surface +/-10° rotatable, with vertical mounting surface +/- 10° t
required spacing with side-by-side mounting	
• upwards	60 mm
• at the side	30 mm
• downwards	40 mm
wire length maximum	300 m
number of poles for main current circuit	3
Connections/ Terminals	
type of electrical connection	
• for main current circuit	screw-type terminals
• for auxiliary and control circuit	spring-loaded terminals
number of NC contacts for auxiliary contacts	0
number of NO contacts for auxiliary contacts	2
number of CO contacts for auxiliary contacts	1
type of connectable conductor cross-sections for main contacts for box terminal using the front clamping point	
• solid	2x (1.5 ... 16 mm ²)
• finely stranded with core end processing	0.75 ... 25 mm ²
• stranded	0.75 ... 35 mm ²
type of connectable conductor cross-sections for main contacts for box terminal using the back clamping point	
• solid	2x (1.5 ... 16 mm ²)
• finely stranded with core end processing	1.5 ... 25 mm ²

<ul style="list-style-type: none"> • stranded 	1.5 ... 35 mm ²
type of connectable conductor cross-sections for main contacts for box terminal using both clamping points <ul style="list-style-type: none"> • solid • finely stranded with core end processing • stranded 	2x (1.5 ... 16 mm ²) 2x (1.5 ... 16 mm ²) 2x (1.5 ... 25 mm ²)
type of connectable conductor cross-sections for AWG cables for main contacts for box terminal <ul style="list-style-type: none"> • using the back clamping point • using the front clamping point • using both clamping points 	16 ... 2 18 ... 2 2x (16 ... 2)
type of connectable conductor cross-sections for auxiliary contacts <ul style="list-style-type: none"> • solid • finely stranded with core end processing 	2x (0.25 ... 2.5 mm ²) 2x (0.25 ... 1.5 mm ²)
type of connectable conductor cross-sections for AWG cables <ul style="list-style-type: none"> • for auxiliary contacts 	2x (24 ... 14)

Ambient conditions

installation altitude at height above sea level	5 000 m
environmental category <ul style="list-style-type: none"> • during transport according to IEC 60721 • during storage according to IEC 60721 • during operation according to IEC 60721 	2K2, 2C1, 2S1, 2M2 (max. fall height 0.3 m) 1K6 (only occasional condensation), 1C2 (no salt mist), 1S2 (sand must not get inside the devices), 1M4 3K6 (no formation of ice, no condensation), 3C3 (no salt mist), 3S2 (sand must not get into the devices), 3M6
ambient temperature <ul style="list-style-type: none"> • during operation • during storage 	-25 ... +60 °C -40 ... +80 °C
derating temperature	40 °C
protection class IP on the front according to IEC 60529	IP20
touch protection on the front according to IEC 60529	finger-safe, for vertical contact from the front

UL/CSA ratings

yielded mechanical performance [hp] for 3-phase AC motor <ul style="list-style-type: none"> • at 460/480 V <ul style="list-style-type: none"> — at standard circuit at 50 °C rated value • at 575/600 V <ul style="list-style-type: none"> — at standard circuit at 50 °C rated value 	30 hp 40 hp
contact rating of auxiliary contacts according to UL	B300 / R300

Approvals Certificates

Environmental Product Declaration	
<ul style="list-style-type: none"> • global warming potential [CO2 eq] / during manufacturing • global warming potential [CO2 eq] / during sales • global warming potential [CO2 eq] / during operation • global warming potential [CO2 eq] / after end of life • global warming potential [CO2 eq] / total 	26.9 kg 0.324 kg 158 kg -4.56 kg 181 kg

Environment General Product Approval

[Environmental Confirmations](#)



General Product Approval EMV For use in hazardous locations



Test Certificates Maritime application other

other Railway

[Confirmation](#)



[Special Test Certificate](#)

[Confirmation](#)

Further information

Simulation Tool for Soft Starters (STS)

<https://support.industry.siemens.com/cs/ww/en/view/101494917>

Information on the packaging

<https://support.industry.siemens.com/cs/ww/en/view/109813875>

Information for data generation and storage

<https://support.industry.siemens.com/cs/ww/en/view/109995012>

Information- and Downloadcenter (Catalogs, Brochures,...)

<https://www.siemens.com/ic10>

Industry Mall (Online ordering system)

<https://mall.industry.siemens.com/mall/en/en/Catalog/product?mlfb=3RW4036-2BB15>

Cax online generator

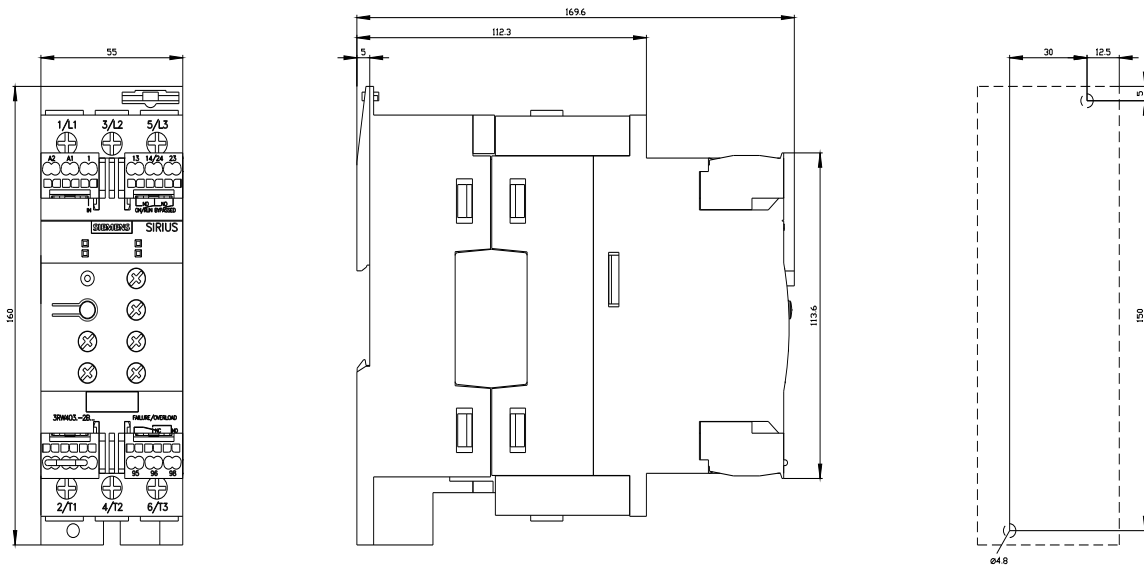
<https://support.automation.siemens.com/WW/CAXorder/default.aspx?lang=en&mlfb=3RW4036-2BB15>

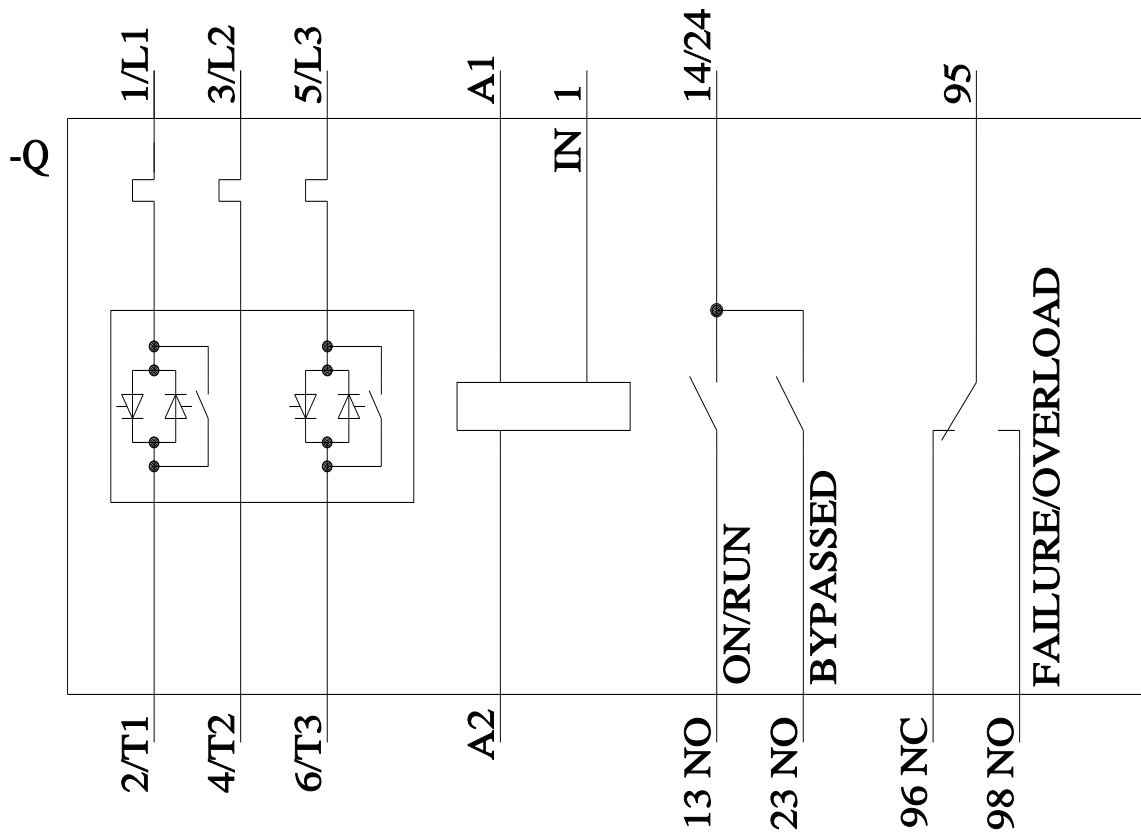
Service&Support (Manuals, Certificates, Characteristics, FAQs,...)

<https://support.industry.siemens.com/cs/ww/en/ps/3RW4036-2BB15>

Image database (product images, 2D dimension drawings, 3D models, device circuit diagrams, EPLAN macros, ...)

https://www.automation.siemens.com/bilddb/cax_de.aspx?mlfb=3RW4036-2BB15&lang=en





last modified:

4/1/2025 