

Product data sheet

Specifications



Touch panel screen, Harmony ST6,
10"W display, 2COM, 2Ethernet,
USB host&device, 24 VDC, no-logo
overlay

HMIST6500FW

**Product availability: Non-Stock - Not normally stocked in
distribution facility**

Main

Range of Product	Harmony ST6
Product or Component Type	Touch panel screen
Processor name	ARM Cortex-A8
Memory description	1 GB device memory 512 KB backup memory 128 MB user data memory

Complementary

Display size	10 inch
Display Type	Colour TFT LCD
Display colour	16 million colours
Display Resolution	1024 x 600 pixels WSVGA
Touch panel	Single touch analogue resistive
Backlight lifespan	50000 hours white
Brightness	16 levels
Character font	ASCII ASCII (European characters) Chinese (simplified Chinese) Japanese (ANK, Kanji) Katakana Korean Taiwanese (traditional Chinese)
[Us] rated supply voltage	24 V DC +/- 20 %)
Power Consumption in W	12.6 W
Inrush current	30 A
Local signalling	Status LED green, steady offline Status LED green, steady operating Status LED green, flashing operating Status LED green, faded stand-by Status LED orange, flashing software starting up Status LED red, steady power supply (ON) Status LED red, flashing operating Status LED red, off power supply (OFF)
Number of pages	200 application pages
Port Ethernet	10/100BASE

Price is "List Price" and may be subject to a trade discount – check with your local distributor or retailer for actual price.

Integrated connection type	1 COM1 serial link - 1 SUB-D 9-pin female - RS232C 2400...115200 bps)bottom 1 COM2 serial link - female RJ45 - RS485 2400...115200 bps)back COM2 serial link 2400...187500 bps)back 1 USB 2.0 type Abottom 1 USB 2.0 type micro B 2 Ethernet
Supply	External supply
Realtime clock	Built-in 0...50 °C Built-in 10...90 % RH
Downloadable protocols	Modbus Uni-TE Third party protocols
Product brand	Schneider Electric Modicon Mitsubishi Melsec Omron Sysmac Rockwell Automation Allen-Bradley Siemens Simatic
Fixing mode	By 4 screws 1.6...5 mm thick panel UL 61010-2-201 By 4 screws IEC 61131-2 By 4 screws IEC 61000-6-2
Enclosure Material	PC
Front material	Aluminium
Marking	CE
Cut-out dimensions	255 x 185 mm panel cut dimension
Height	8.0 in (203 mm)
Width	10.7 in (273 mm)
Depth	1.9 in (47 mm)
Net Weight	2.9 lb(US) (1.3 kg)

Environment

Immunity to microbreaks	10 ms
Standards	IEC 61000-6-4 IEC 61000-6-2 IEC 61131-2 UL 61010-2-201 CSA C22.2 No 61010-2-201
Product Certifications	CSA CE UKCA
Directives	2014/35/EU - low voltage directive 2014/30/EU - electromagnetic compatibility
Ambient Air Temperature for Operation	32...122 °F (0...50 °C)
Ambient Air Temperature for Storage	-4...140 °F (-20...60 °C)
Relative humidity	10...90 % non-condensing
Operating altitude	6561.68 ft (2000 m)
IP degree of protection	IP20 IEC 61131-2 rear panel) IP65 IEC 61131-2 front panel)
NEMA degree of protection	NEMA 4 front panel (indoor use) NEMA 13 front panel (in enclosure)
Shock resistance	147 m/s ² 11 ms X, Y, Z directions for 3 times)IEC 61131-2
Vibration resistance	+/- 3.5 mm 5...9 Hz) X, Y, Z directions for 10 cycles (approx. 100 min) IEC 61131-2 9.8 m/s ² 9...150 Hz)

Electromagnetic compatibility	Electrical fast transient/burst immunity test - test level: 2 kV (power ports) conforming to IEC 61000-4-4 Electrical fast transient/burst immunity test - test level: 1 kV (signal ports) Electrostatic discharge immunity test - test level: 6 kV (contact discharge) conforming to IEC 61000-4-2 level 3 Electrostatic discharge immunity test - test level: 8 kV (air discharge)
--------------------------------------	---

Ordering and shipping details

Category	US10MC222567
Discount Schedule	0MC2
GTIN	3606482033948
Returnability	No
Country of origin	CN

Packing Units

Unit Type of Package 1	PCE
Nbr. of units in pkg.	1
Package 1 Height	7.0 in (17.7 cm)
Package 1 Width	3.5 in (9.0 cm)
Package 1 Length	10.6 in (26.8 cm)
Package weight(Lbs)	4.030 lb(US) (1.828 kg)
Unit Type of Package 2	S04
Number of Units in Package 2	4
Package 2 Height	11.8 in (30.0 cm)
Package 2 Width	15.7 in (40.0 cm)
Package 2 Length	23.6 in (60.0 cm)
Package 2 Weight	18.656 lb(US) (8.462 kg)

Contractual warranty

Warranty (in months)	18
-----------------------------	----



Environmental Data

Schneider Electric aims to achieve Net Zero status by 2050 through supply chain partnerships, lower impact materials, and circularity via our ongoing “Use Better, Use Longer, Use Again” campaign to extend product lifetimes and recyclability.

[Environmental Data explained >](#)

[How we assess product sustainability >](#)



Environmental footprint

Total lifecycle Carbon footprint	977 kg CO2 eq.
Environmental Disclosure	Product Environmental Profile
Carbon footprint of the manufacturing phase [A1 to A3]	70 kg CO2 eq.
Carbon footprint of the distribution phase [A4]	0.3 kg CO2 eq.
Carbon footprint of the installation phase [A5]	0.6 kg CO2 eq.
Carbon footprint of the use phase [B2, B3, B4, B6]	903 kg CO2 eq.
Carbon footprint of the end-of-life phase [C1 to C4]	2 kg CO2 eq.

Use Better



Materials and Substances

F-gas usage performance	Only air and vacuum used for insulation / breaking, no F-gas including SF6
Packaging made with recycled cardboard	Yes
Packaging without single use plastic	No
EU RoHS Directive	Compliant with Exemptions
SCIP Number	20694bec-44d9-42c3-8fdd-3861ce15e3ab
REACH Regulation	REACH Declaration
California proposition 65	WARNING: This product can expose you to chemicals including: Lead and lead compounds, which is known to the State of California to cause cancer and birth defects or other reproductive harm. For more information go to www.P65Warnings.ca.gov
Halogen content performance	Product contains halogen above thresholds
PVC free	No
Silicon free	No

Use Longer



Lifetime extension

Repair	No
--------	----

Use Again



Repack and remanufacture

Recyclability potential, in %	29
Circularity Profile	End of Life Information

Removable battery

User replaceable

Take-back

No

WEEE Label

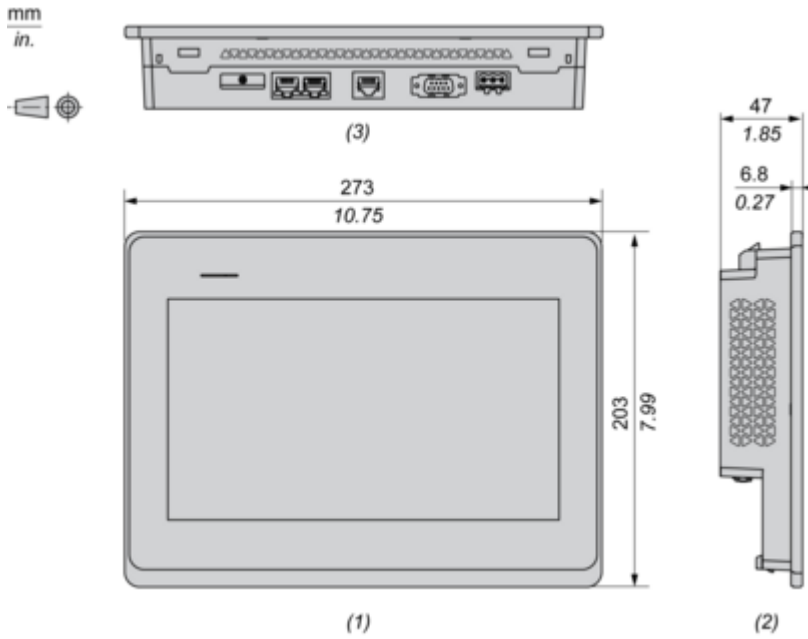


The product must be disposed on European Union markets following specific waste collection and never end up in rubbish bins.

Dimensions Drawings

Dimensions

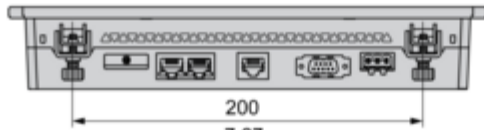
External Dimensions



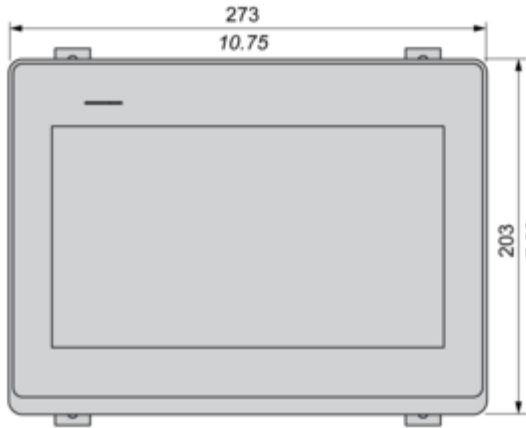
- (1) : Front
- (2) : Left
- (3) : Bottom

Dimensions with Installation Fasteners

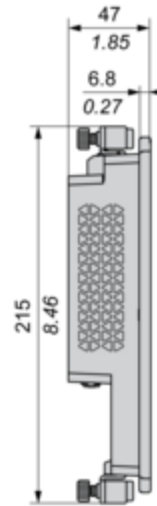
mm
in.



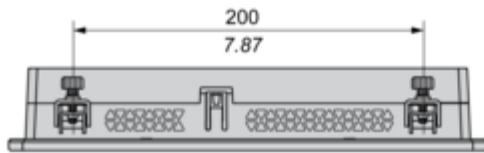
(3)



(1)



(2)

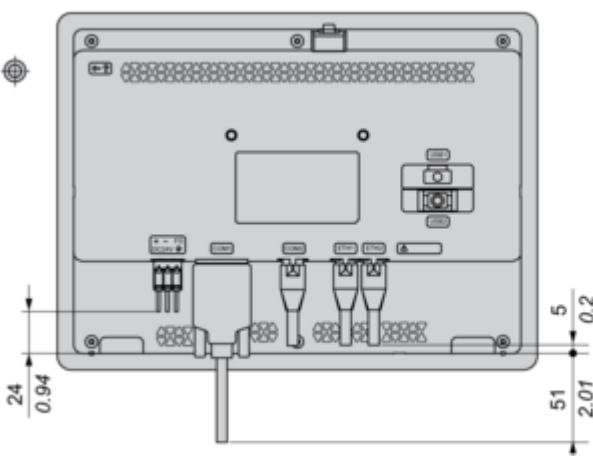


(4)

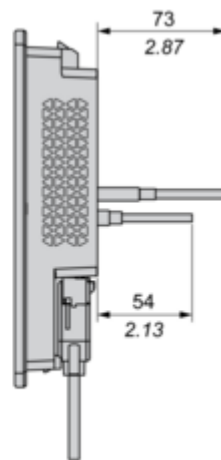
- (1) : Front
- (2) : Left
- (3) : Bottom
- (4) : Top

Dimensions with Cables

mm
in.



(1)



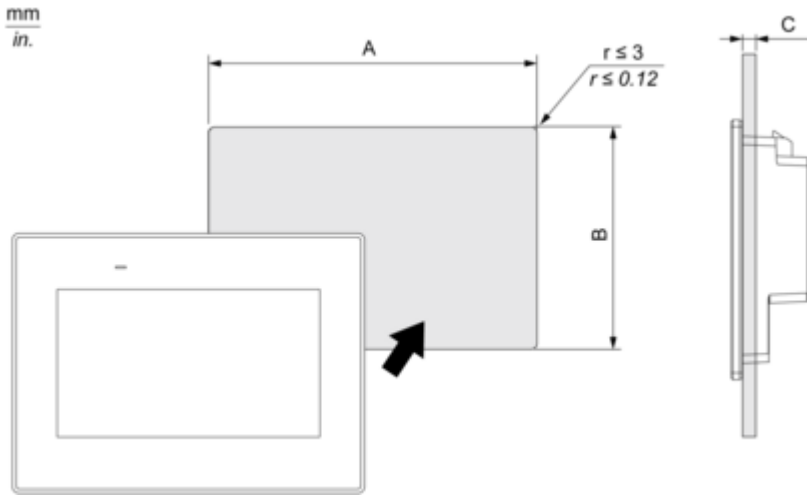
(2)

- (1) : Rear
- (2) : Right

Mounting and Clearance

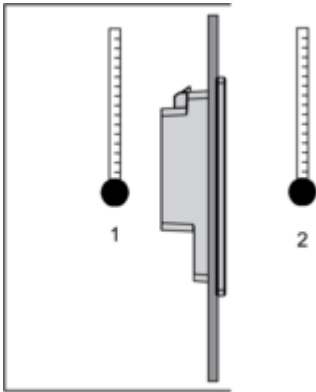
Mounting

Panel Cut Dimensions

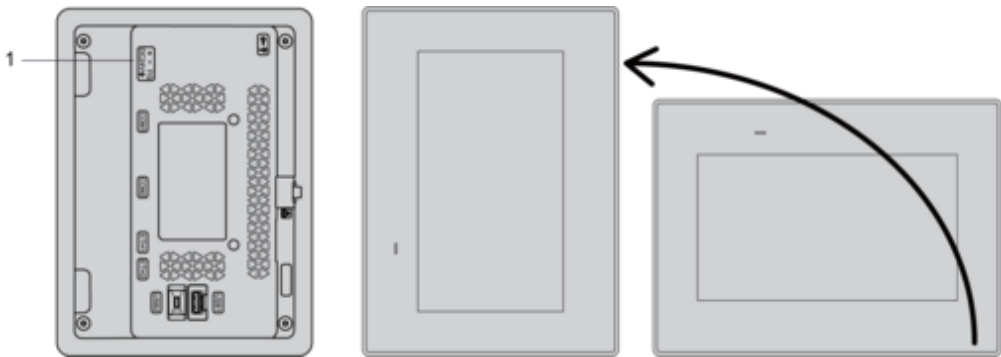


A		B		C	
mm	in.	mm	in.	mm	in.
255 (+1, -0)	10.04 (+0.04, -0)	185 (+1, -0)	7.28 (+0.04, -0)	1.6...5	0.06...0.2

Installation Requirements

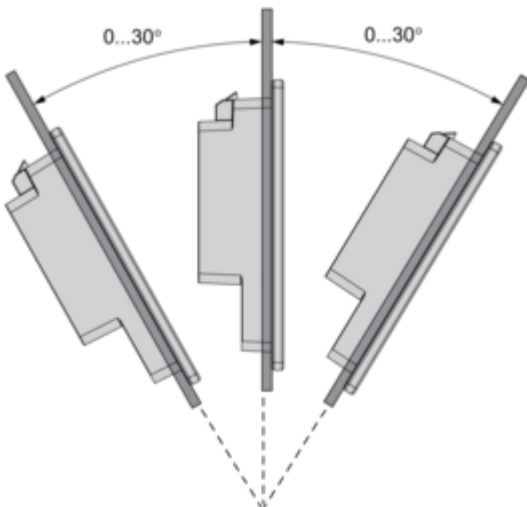


- 1 : Internal temperature
- 2 : External temperature



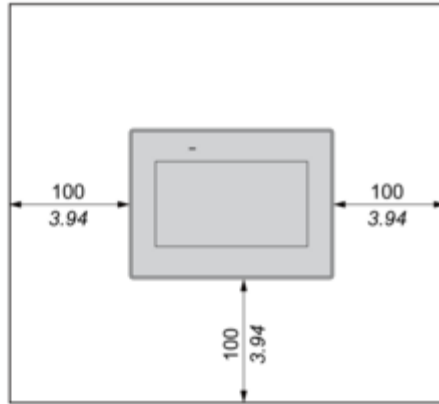
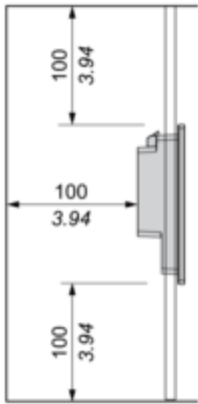
- 1 : Power connector

Mounting Angle



Clearance

mm
in.



Technical Illustration

Dimensions

mm
in.

