



power contactor, AC-3e/AC-3, 80 A, 37 kW / 400 V, 3-pole, 20-33 V AC/DC, 50/60 Hz, with integrated varistor, auxiliary contacts: 1 NO + 1 NC, main circuit: screw terminal, control and auxiliary circuit: spring-loaded terminal, size: S2,

| | |
|--|--|
| product brand name | SIRIUS |
| product designation | Power contactor |
| product type designation | 3RT2 |
| General technical data | |
| size of contactor | S2 |
| product extension | |
| • function module for communication | No |
| • auxiliary switch | Yes |
| power loss [W] for rated value of the current | |
| • at AC in hot operating state | 17.1 W |
| • at AC in hot operating state per pole | 5.7 W |
| • without load current share typical | 1 W |
| type of calculation of power loss current-dependent | quadratic |
| insulation voltage | |
| • of main circuit with degree of pollution 3 rated value | 690 V |
| • of auxiliary circuit with degree of pollution 3 rated value | 690 V |
| surge voltage resistance | |
| • of main circuit rated value | 6 kV |
| • of auxiliary circuit rated value | 6 kV |
| maximum permissible voltage for protective separation between coil and main contacts according to EN 60947-1 | 400 V |
| shock resistance at rectangular impulse | |
| • at AC | 7.7 g / 5 ms, 4.5 g / 10 ms |
| • at DC | 7.7 g / 5 ms, 4.5 g / 10 ms |
| shock resistance with sine pulse | |
| • at AC | 12 g / 5 ms, 7 g / 10 ms |
| • at DC | 12 g / 5 ms, 7 g / 10 ms |
| mechanical service life (operating cycles) | |
| • of contactor typical | 10 000 000 |
| • of the contactor with added electronically optimized auxiliary switch block typical | 5 000 000 |
| • of the contactor with added auxiliary switch block typical | 10 000 000 |
| reference code according to IEC 81346-2 | Q |
| Substance Prohibitance (day/month/year) | 10/01/2014 |
| SVHC substance name | Lead CAS-No. 7439-92-1 Lead monoxide (lead oxide) CAS-No. 1317-36-8 2-methyl-1-(4-methylthiophenyl)-2-morpholinopropan-1-one CAS-No. 71868-10-5 Melamine CAS-No. 108-78-1 |
| Net Weight | 1.114 kg |
| Ambient conditions | |

| | |
|--|--------------------|
| installation altitude at height above sea level maximum | 2 000 m |
| ambient temperature | |
| • during operation | -25 ... +60 °C |
| • during storage | -55 ... +80 °C |
| relative humidity minimum | 10 % |
| relative humidity at 55 °C according to IEC 60068-2-30 maximum | 95 % |
| Main circuit | |
| number of poles for main current circuit | 3 |
| number of NO contacts for main contacts | 3 |
| number of NC contacts for main contacts | 0 |
| operating voltage | |
| • at AC-3 rated value maximum | 690 V |
| • at AC-3e rated value maximum | 690 V |
| operational current | |
| • at AC-1 at 400 V at ambient temperature 40 °C rated value | 90 A |
| • at AC-1 | |
| — up to 690 V at ambient temperature 40 °C rated value | 90 A |
| — up to 690 V at ambient temperature 60 °C rated value | 80 A |
| • at AC-3 | |
| — at 400 V rated value | 80 A |
| — at 500 V rated value | 80 A |
| — at 690 V rated value | 58 A |
| • at AC-3e | |
| — at 400 V rated value | 80 A |
| — at 500 V rated value | 80 A |
| — at 690 V rated value | 58 A |
| • at AC-4 at 400 V rated value | 55 A |
| • at AC-5a up to 690 V rated value | 79.2 A |
| • at AC-5b up to 400 V rated value | 66.4 A |
| • at AC-6a | |
| — up to 230 V for current peak value n=20 rated value | 70 A |
| — up to 400 V for current peak value n=20 rated value | 70 A |
| — up to 500 V for current peak value n=20 rated value | 70 A |
| — up to 690 V for current peak value n=20 rated value | 58 A |
| • at AC-6a | |
| — up to 230 V for current peak value n=30 rated value | 46.7 A |
| — up to 400 V for current peak value n=30 rated value | 46.7 A |
| — up to 500 V for current peak value n=30 rated value | 46.7 A |
| — up to 690 V for current peak value n=30 rated value | 46.7 A |
| minimum cross-section in main circuit at maximum AC-1 rated value | 35 mm ² |
| operational current for approx. 200000 operating cycles at AC-4 | |
| • at 400 V rated value | 30 A |
| • at 690 V rated value | 24 A |
| operational current | |
| • at 1 current path at DC-1 | |
| — at 24 V rated value | 55 A |
| — at 60 V rated value | 23 A |
| — at 110 V rated value | 4.5 A |
| — at 220 V rated value | 1 A |
| — at 440 V rated value | 0.4 A |
| — at 600 V rated value | 0.25 A |
| • with 2 current paths in series at DC-1 | |
| — at 24 V rated value | 55 A |
| — at 60 V rated value | 45 A |
| — at 110 V rated value | 45 A |

| | |
|---|---|
| — at 220 V rated value | 5 A |
| — at 440 V rated value | 1 A |
| — at 600 V rated value | 0.8 A |
| • with 3 current paths in series at DC-1 | |
| — at 24 V rated value | 55 A |
| — at 60 V rated value | 55 A |
| — at 110 V rated value | 55 A |
| — at 220 V rated value | 45 A |
| — at 440 V rated value | 2.9 A |
| — at 600 V rated value | 1.4 A |
| • at 1 current path at DC-3 at DC-5 | |
| — at 24 V rated value | 35 A |
| — at 60 V rated value | 6 A |
| — at 220 V rated value | 1 A |
| — at 440 V rated value | 0.1 A |
| — at 600 V rated value | 0.06 A |
| • with 2 current paths in series at DC-3 at DC-5 | |
| — at 24 V rated value | 55 A |
| — at 60 V rated value | 45 A |
| — at 110 V rated value | 25 A |
| — at 220 V rated value | 5 A |
| — at 440 V rated value | 0.27 A |
| — at 600 V rated value | 0.16 A |
| • with 3 current paths in series at DC-3 at DC-5 | |
| — at 24 V rated value | 55 A |
| — at 60 V rated value | 55 A |
| — at 110 V rated value | 55 A |
| — at 220 V rated value | 25 A |
| — at 440 V rated value | 0.6 A |
| — at 600 V rated value | 0.35 A |
| operating power | |
| • at AC-2 at 400 V rated value | 37 kW |
| • at AC-3 | |
| — at 230 V rated value | 22 kW |
| — at 400 V rated value | 37 kW |
| — at 500 V rated value | 37 kW |
| — at 690 V rated value | 45 kW |
| • at AC-3e | |
| — at 230 V rated value | 22 kW |
| — at 400 V rated value | 37 kW |
| — at 500 V rated value | 37 kW |
| — at 690 V rated value | 45 kW |
| operating power for approx. 200000 operating cycles at AC-4 | |
| • at 400 V rated value | 15.8 kW |
| • at 690 V rated value | 21.8 kW |
| operating apparent power at AC-6a | |
| • up to 230 V for current peak value n=20 rated value | 27.8 kVA |
| • up to 400 V for current peak value n=20 rated value | 48.4 kVA |
| • up to 500 V for current peak value n=20 rated value | 60.6 kVA |
| • up to 690 V for current peak value n=20 rated value | 69.3 kVA |
| operating apparent power at AC-6a | |
| • up to 230 V for current peak value n=30 rated value | 18.6 kVA |
| • up to 400 V for current peak value n=30 rated value | 32.3 kVA |
| • up to 500 V for current peak value n=30 rated value | 40.4 kVA |
| • up to 690 V for current peak value n=30 rated value | 55.8 kVA |
| short-time withstand current in cold operating state up to 40 °C | |
| • limited to 1 s switching at zero current maximum | 1 298 A; Use minimum cross-section acc. to AC-1 rated value |

| | |
|--|--|
| <ul style="list-style-type: none"> • limited to 5 s switching at zero current maximum • limited to 10 s switching at zero current maximum • limited to 30 s switching at zero current maximum • limited to 60 s switching at zero current maximum | 898 A; Use minimum cross-section acc. to AC-1 rated value 640 A; Use minimum cross-section acc. to AC-1 rated value 414 A; Use minimum cross-section acc. to AC-1 rated value 333 A; Use minimum cross-section acc. to AC-1 rated value |
| no-load switching frequency | |
| <ul style="list-style-type: none"> • at AC • at DC | 1 500 1/h 1 500 1/h |
| operating frequency | |
| <ul style="list-style-type: none"> • at AC-1 maximum • at AC-2 maximum • at AC-3 maximum • at AC-3e <ul style="list-style-type: none"> — maximum • at AC-4 maximum | 700 1/h 350 1/h 500 1/h 500 1/h 150 1/h |
| Control circuit/ Control | |
| type of voltage of the control supply voltage | AC/DC |
| control supply voltage at AC | |
| <ul style="list-style-type: none"> • at 50 Hz rated value • at 60 Hz rated value | 20 ... 33 V 20 ... 33 V |
| control supply voltage at DC rated value | 20 ... 33 V |
| operating range factor control supply voltage rated value of magnet coil at DC | |
| <ul style="list-style-type: none"> • initial value • full-scale value | 0.8 1.1 |
| operating range factor control supply voltage rated value of magnet coil at AC | |
| <ul style="list-style-type: none"> • at 50 Hz • at 60 Hz | 0.8 ... 1.1 0.8 ... 1.1 |
| design of the surge suppressor | with varistor |
| inrush current peak | 3 A |
| duration of inrush current peak | 50 µs |
| pickup current mean value | 1 A |
| pickup current peak | 2.6 A |
| duration of pickup current | 230 ms |
| holding current mean value | 40 mA |
| apparent pick-up power of magnet coil at AC | |
| <ul style="list-style-type: none"> • at 50 Hz • at 60 Hz | 40 VA 40 VA |
| apparent holding power | |
| <ul style="list-style-type: none"> • at minimum rated control supply voltage at DC • at maximum rated control supply voltage at DC | 2 VA 2 VA |
| apparent holding power | |
| <ul style="list-style-type: none"> • at minimum rated control supply voltage at AC <ul style="list-style-type: none"> — at 50 Hz — at 60 Hz • at maximum rated control supply voltage at AC <ul style="list-style-type: none"> — at 50 Hz — at 60 Hz | 2 VA 2 VA 2 VA 2 VA |
| apparent holding power of magnet coil at AC | |
| <ul style="list-style-type: none"> • at 50 Hz • at 60 Hz | 2 VA 2 VA |
| inductive power factor with the holding power of the coil | |
| <ul style="list-style-type: none"> • at 50 Hz • at 60 Hz | 0.95 0.95 |
| closing power of magnet coil at DC | 23 W |
| holding power of magnet coil at DC | 1 W |
| closing delay | |
| <ul style="list-style-type: none"> • at AC • at DC | 35 ... 110 ms 35 ... 110 ms |

| | |
|---|--|
| opening delay | |
| • at AC | 30 ... 55 ms |
| • at DC | 30 ... 55 ms |
| arcing time | 10 ... 20 ms |
| control version of the switch operating mechanism | Standard A1 - A2 |
| Auxiliary circuit | |
| number of NC contacts for auxiliary contacts instantaneous contact | 1 |
| number of NO contacts for auxiliary contacts instantaneous contact | 1 |
| operational current at AC-12 maximum | 10 A |
| operational current at AC-15 | |
| • at 230 V rated value | 10 A |
| • at 400 V rated value | 3 A |
| • at 500 V rated value | 2 A |
| • at 690 V rated value | 1 A |
| operational current at DC-12 | |
| • at 24 V rated value | 10 A |
| • at 48 V rated value | 6 A |
| • at 60 V rated value | 6 A |
| • at 110 V rated value | 3 A |
| • at 125 V rated value | 2 A |
| • at 220 V rated value | 1 A |
| • at 600 V rated value | 0.15 A |
| operational current at DC-13 | |
| • at 24 V rated value | 10 A |
| • at 48 V rated value | 2 A |
| • at 60 V rated value | 2 A |
| • at 110 V rated value | 1 A |
| • at 125 V rated value | 0.9 A |
| • at 220 V rated value | 0.3 A |
| • at 600 V rated value | 0.1 A |
| contact reliability of auxiliary contacts | 1 faulty switching per 100 million (17 V, 1 mA) |
| UL/CSA ratings | |
| full-load current (FLA) for 3-phase AC motor | |
| • at 480 V rated value | 65 A |
| • at 600 V rated value | 62 A |
| yielded mechanical performance [hp] | |
| • for single-phase AC motor | |
| — at 110/120 V rated value | 5 hp |
| — at 230 V rated value | 15 hp |
| • for 3-phase AC motor | |
| — at 200/208 V rated value | 20 hp |
| — at 220/230 V rated value | 25 hp |
| — at 460/480 V rated value | 50 hp |
| — at 575/600 V rated value | 60 hp |
| contact rating of auxiliary contacts according to UL | A600 / P600 |
| Short-circuit protection | |
| design of the miniature circuit breaker for short-circuit protection of the auxiliary circuit up to 230 V | C characteristic: 10 A; 0.4 kA |
| design of the fuse link | |
| • for short-circuit protection of the main circuit | |
| — with type of coordination 1 required | gG: 250 A (690 V, 100 kA), aM: 160 A (690 V, 100 kA), BS88: 200 A (415 V, 80 kA) |
| — with type of coordination 2 required | gG: 160 A (690 V, 100 kA), aM: 80 A (690 V, 100 kA), BS88: 125 A (415 V, 80 kA) |
| • for short-circuit protection of the auxiliary switch required | gG: 10 A (500 V, 1 kA) |
| Installation/ mounting/ dimensions | |
| mounting position | +/-180° rotation possible on vertical mounting surface; can be tilted forward and backward by +/- 22.5° on vertical mounting surface |

| | |
|--|--|
| fastening method side-by-side mounting | Yes |
| fastening method | screw and snap-on mounting onto 35 mm DIN rail according to DIN EN 60715 |
| height | 114 mm |
| width | 55 mm |
| depth | 130 mm |
| required spacing | |
| <ul style="list-style-type: none"> • with side-by-side mounting <ul style="list-style-type: none"> — forwards 10 mm — upwards 10 mm — downwards 10 mm — at the side 0 mm • for grounded parts <ul style="list-style-type: none"> — forwards 10 mm — upwards 10 mm — at the side 6 mm — downwards 10 mm • for live parts <ul style="list-style-type: none"> — forwards 10 mm — upwards 10 mm — downwards 10 mm — at the side 6 mm | |
| Connections/ Terminals | |
| type of electrical connection | |
| <ul style="list-style-type: none"> • for main current circuit screw-type terminals • for auxiliary and control circuit spring-loaded terminals • at contactor for auxiliary contacts Spring-type terminals • of magnet coil Spring-type terminals | |
| type of connectable conductor cross-sections | |
| <ul style="list-style-type: none"> • for main contacts <ul style="list-style-type: none"> — solid or stranded 2x (1 ... 35 mm²), 1x (1 ... 50 mm²) — finely stranded with core end processing 2x (1 ... 25 mm²), 1x (1 ... 35 mm²) • for AWG cables for main contacts 2x (18 ... 2), 1x (18 ... 1) | |
| connectable conductor cross-section for main contacts | |
| <ul style="list-style-type: none"> • finely stranded with core end processing 1 ... 35 mm² | |
| connectable conductor cross-section for auxiliary contacts | |
| <ul style="list-style-type: none"> • solid or stranded 0.5 ... 2.5 mm² • finely stranded with core end processing 0.5 ... 1.5 mm² • finely stranded without core end processing 0.5 ... 2.5 mm² | |
| type of connectable conductor cross-sections | |
| <ul style="list-style-type: none"> • for auxiliary contacts <ul style="list-style-type: none"> — solid or stranded 2x (0.5 ... 2.5 mm²) — finely stranded with core end processing 2x (0.5 ... 1.5 mm²) — finely stranded without core end processing 2x (0.5 ... 2.5 mm²) • for AWG cables for auxiliary contacts 2x (20 ... 14) | |
| AWG number as coded connectable conductor cross section for main contacts | 18 ... 1 |
| AWG number as coded connectable conductor cross section for auxiliary contacts | 20 ... 14 |
| Safety related data | |
| product function | |
| <ul style="list-style-type: none"> • mirror contact according to IEC 60947-4-1 Yes • positively driven operation according to IEC 60947-5-1 No • suitable for safety function Yes | |
| suitability for use safety-related switching OFF | Yes |
| service life maximum | 20 a |
| test wear-related service life necessary | Yes |
| proportion of dangerous failures | |
| <ul style="list-style-type: none"> • with low demand rate according to SN 31920 40 % • with high demand rate according to SN 31920 73 % | |

| | |
|---|--|
| B10 value with high demand rate according to SN 31920 | 1 000 000 |
| failure rate [FIT] with low demand rate according to SN 31920 | 100 FIT |
| ISO 13849 | |
| device type according to ISO 13849-1 | 3 |
| overdimensioning according to ISO 13849-2 necessary | Yes |
| IEC 61508 | |
| safety device type according to IEC 61508-2 | Type A |
| Electrical Safety | |
| protection class IP on the front according to IEC 60529 | IP20 |
| touch protection on the front according to IEC 60529 | finger-safe, for vertical contact from the front |

Approvals Certificates

| | |
|--|--|
| Environmental Product Declaration | |
| <ul style="list-style-type: none"> global warming potential [CO2 eq] / during manufacturing global warming potential [CO2 eq] / during operation global warming potential [CO2 eq] / after end of life global warming potential [CO2 eq] / total | <ul style="list-style-type: none"> 5.88 kg 102 kg -0.988 kg 107 kg |
| Environment | General Product Approval |



[Manufacturer Declaration](#)

[China RoHS](#)



| | |
|--------------------------|-----|
| General Product Approval | EMV |
|--------------------------|-----|



[China RoHS](#)



Further information

Information on the packaging

<https://support.industry.siemens.com/cs/ww/en/view/109813875>

Information for data generation and storage

<https://support.industry.siemens.com/cs/ww/en/view/109995012>

Information- and Downloadcenter (Catalogs, Brochures,...)

<https://www.siemens.com/ic10>

Industry Mall (Online ordering system)

<https://mall.industry.siemens.com/mall/en/en/Catalog/product?mlfb=3RT2038-3NB30>

Service&Support (Manuals, Certificates, Characteristics, FAQs,...)

<https://support.industry.siemens.com/cs/ww/en/ps/3RT2038-3NB30>

Image database (product images, 2D dimension drawings, 3D models, device circuit diagrams, EPLAN macros, ...)

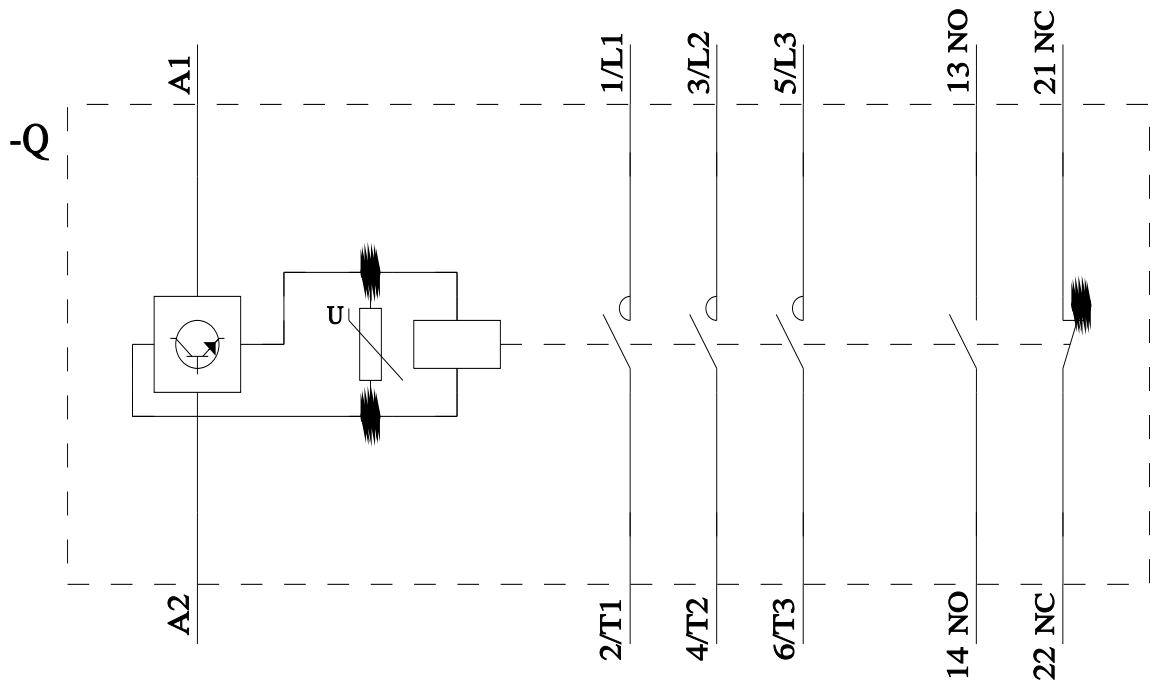
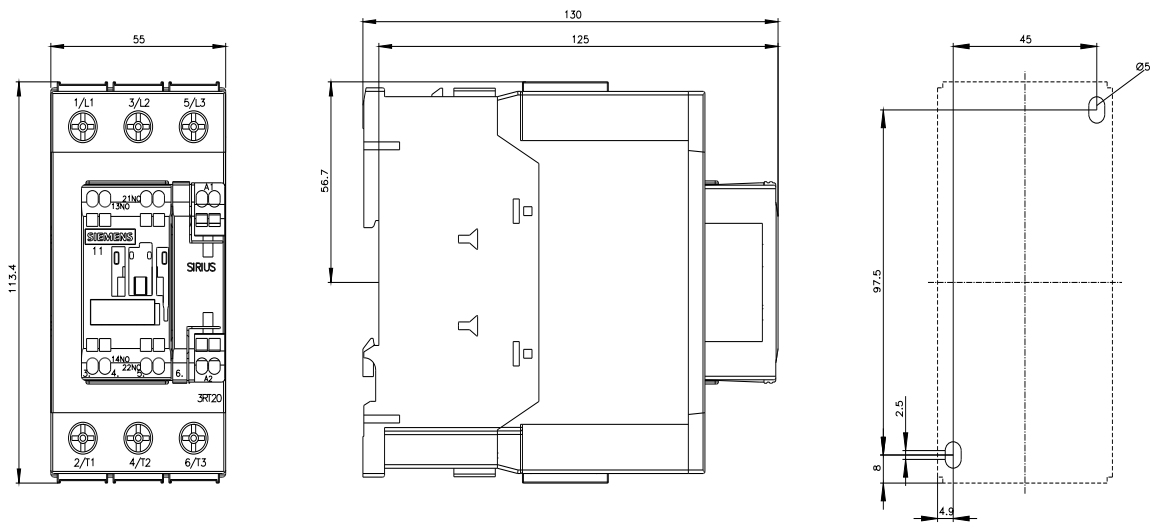
https://www.automation.siemens.com/bilddb/cax_de.aspx?mlfb=3RT2038-3NB30&lang=en

Cax online generator

<https://support.automation.siemens.com/WW/CAXorder/default.aspx?lang=en&mlfb=3RT2038-3NB30>

Characteristic curves

[https://curves.simaris.siemens.com/curves/<mmp_prod_noCOMP="HAUPT"></mmp_prod_no>](https://curves.simaris.siemens.com/curves/<mmp_prod_noCOMP=)



last modified:

4/4/2026

