



Figure similar

SIRIUS MCU motor starter Enclosure degree of protection IP54 metal  
 Communication AS-Interface electromechanically switching Short-circuit protection  
 with circuit breaker DOL starter Brake 400 V AC (internal) Performance class 0.80  
 A Motor circuit breaker with bi-metal thermal Rotary operating mechanism  
 gray/black Connection power M screw connection Standard product

<b>product brand name</b>	SIRIUS
<b>product designation</b>	motor starter MCU for AS-Interface
<b>design of the product</b>	direct starter
<b>product function bus communication</b>	Yes
<b>operating frequency minimum</b>	80 1/h
<b>type of coordination</b>	1
<b>reference code according to IEC 81346-2</b>	Q
<b>Substance Prohibitance (day/month/year)</b>	05/01/2012
<b>Net Weight</b>	5.8 kg
<b>product component motor brake output</b>	Yes
<b>product feature</b>	
• brake control with 400 V AC	Yes
• brake control with 24 V DC	No
• brake control with 180 V DC	No
• brake control with 500 V DC	No
<b>product extension braking module for brake control</b>	No
<b>design of short-circuit protection</b>	circuit-breakers
maximum short-circuit current breaking capacity (I <sub>cu</sub> ) at 400 V rated value	50 000 A
<b>Safety related data</b>	
<b>proportion of dangerous failures</b>	
• with low demand rate according to SN 31920	50 %
• with high demand rate according to SN 31920	75 %
<b>B10 value with high demand rate according to SN 31920</b>	1 000 000
<b>failure rate [FIT] with low demand rate according to SN 31920</b>	100 FIT
<b>IEC 61508</b>	
T1 value for proof test interval or service life according to IEC 61508	20 a
<b>Electrical Safety</b>	
<b>touch protection against electrical shock</b>	finger-safe
<b>Main circuit</b>	
<b>number of poles for main current circuit</b>	3
<b>design of the switching contact</b>	electromechanical
<b>adjustable current response value current of the current-dependent overload release</b>	0.55 ... 0.8 A
<b>type of the motor protection</b>	bimetal
<b>type of voltage</b>	DC
operating voltage rated value	340 ... 440 V

operating frequency 1 rated value	50 Hz
operating frequency 2 rated value	60 Hz
relative positive tolerance of the operating frequency	10 %
relative negative tolerance of the operating frequency	-10 %
<b>operational current</b>	
• at AC at 400 V rated value	0.8 A
• at AC-3 at 400 V rated value	0.8 A
operating power at AC-3 at 400 V rated value	0.2 kW
operating power for 3-phase motors at 400 V at 50 Hz	0.18 kW
<b>number of digital inputs</b>	2
<b>type of voltage of the supply voltage</b>	DC
<b>control supply voltage at DC rated value</b>	20.4 ... 26.4 V
<b>mounting position</b>	+/-180° rotation possible on vertical mounting surface; can be tilted forward and backward by +/- 22.5° on vertical mounting surface
<b>height</b>	215 mm
<b>width</b>	245 mm
<b>depth</b>	205 mm
<b>Ambient conditions</b>	
ambient temperature during operation	-25 ... +50 °C
<b>protocol is supported</b>	
• PROFIBUS DP protocol	No
• PROFINET protocol	No
protocol is supported AS-Interface protocol	Yes
type of electrical connection for main current circuit	screw-type terminals

#### Approvals Certificates

General Product Approval	Test Certificates	other	Dangerous goods	Environment
--------------------------	-------------------	-------	-----------------	-------------



[Type Test Certificates/Test Report](#)

[Confirmation](#)



[Transport Information](#)

[Environmental Confirmations](#)

#### Further information

##### Information on the packaging

<https://support.industry.siemens.com/cs/ww/en/view/109813875>

##### Information for data generation and storage

<https://support.industry.siemens.com/cs/ww/en/view/109995012>

##### Information- and Downloadcenter (Catalogs, Brochures,...)

<https://www.siemens.com/ic10>

##### Industry Mall (Online ordering system)

<https://mall.industry.siemens.com/mall/en/en/Catalog/product?mlfb=3RK4320-3BQ51-0BA3>

##### Cax online generator

<https://support.automation.siemens.com/WW/CAXorder/default.aspx?lang=en&mlfb=3RK4320-3BQ51-0BA3>

##### Service&Support (Manuals, Certificates, Characteristics, FAQs,...)

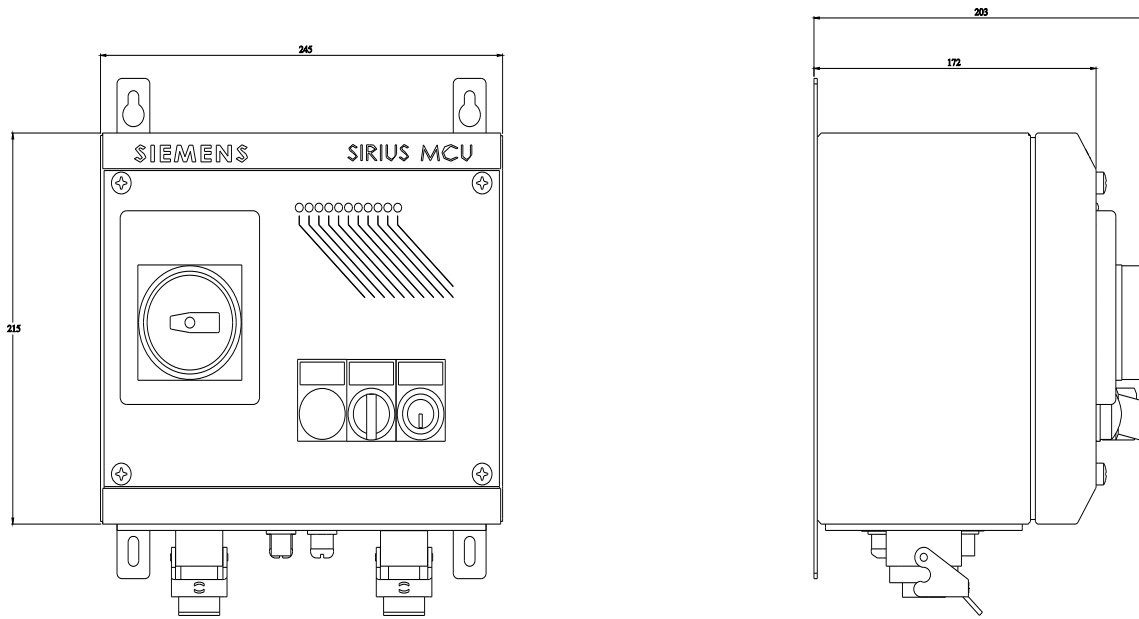
<https://support.industry.siemens.com/cs/ww/en/ps/3RK4320-3BQ51-0BA3>

##### Image database (product images, 2D dimension drawings, 3D models, device circuit diagrams, EPLAN macros, ...)

[https://www.automation.siemens.com/bilddb/cax\\_de.aspx?mlfb=3RK4320-3BQ51-0BA3&lang=en](https://www.automation.siemens.com/bilddb/cax_de.aspx?mlfb=3RK4320-3BQ51-0BA3&lang=en)

##### Characteristic curves

[https://curves.simaris.siemens.com/curves/<mmp\\_prod\\_noCOMP="HAUPT"></mmp\\_prod\\_no>](https://curves.simaris.siemens.com/curves/<mmp_prod_noCOMP=)



last modified:

4/17/2025 