

# Product datasheet

Specifications



servo motor BCH2, Lexium, 180mm, 2000W, 35.13kg.cm<sup>2</sup>, with oil seal, with key, brake, straight connection

BCH2HR2023CF6C

## Main

Range compatibility	Lexium 28 Easy Lexium 26
Device short name	BCH2
Product or component type	Servo motor

## Complementary

Maximum mechanical speed	3000 rpm
[Us] rated supply voltage	220 V
Network number of phases	Three phase
Continuous stall current	8.75 A
Continuous stall torque	9.55 N.m for LXM28 at 9.6 mA, 220 V, single phase 9.55 N.m for LXM28 at 9.6 mA, 220 V, three phase 9.55 N.m for LXM26D at 9.6 mA, 220 V, single phase 9.55 N.m for LXM26D at 9.6 mA, 220 V, three phase
Continuous power	2000 W
Peak stall torque	28.6 N.m for LXM28... at 9.6 mA, 220 V, single phase 28.6 N.m for LXM28... at 9.6 mA, 220 V, three phase 28.6 N.m for LXM26D at 9.6 mA, 220 V, single phase 28.6 N.m for LXM26D at 9.6 mA, 220 V, three phase
Nominal output power	2000 W for LXM28... at 9.6 mA, 220 V, single phase 2000 W for LXM28... at 9.6 mA, 220 V, three phase 2000 W for LXM26D at 9.6 mA, 220 V, single phase 2000 W for LXM26D at 9.6 mA, 220 V, three phase
Nominal torque	9.55 N.m for LXM28... at 9.6 mA, 220 V, single phase 9.55 N.m for LXM28... at 9.6 mA, 220 V, three phase 9.55 N.m for LXM26D at 9.6 mA, 220 V, single phase 9.55 N.m for LXM26D at 9.6 mA, 220 V, three phase
Nominal speed	2000 rpm for LXM28... at 9.6 mA, 220 V, single phase 2000 rpm for LXM28... at 9.6 mA, 220 V, three phase 2000 rpm for LXM26D at 9.6 mA, 220 V, single phase 2000 rpm for LXM26D at 9.6 mA, 220 V, three phase
Maximum current Irms	35.5 A for LXM28... at 2 kW, 220 V
Maximum permanent current	9.6 A
Product compatibility	LXM26D servo drive motor at 2 kW, 220 V, three phase LXM28... servo drive motor at 2 kW, 220 V, single phase LXM28... servo drive motor at 2 kW, 220 V, three phase LXM26D servo drive motor at 2 kW, 220 V, single phase
Shaft end	Keyed
Shaft diameter	35 mm
Shaft length	79 mm
Key width	10 mm

Excluding VAT and subject to change. Please check with your local distributor through "Where to buy"

<b>Feedback type</b>	20 bits single turn absolute encoder
<b>Holding brake</b>	With
<b>Holding torque</b>	48 N.m built-in
<b>Mounting support</b>	Asian standard flange
<b>Motor flange size</b>	180 mm
<b>Electrical connection</b>	Connector MIL
<b>Torque constant</b>	1.09 N.m/A at 20 °C
<b>Back emf constant</b>	66 V/krpm at 20 °C
<b>Number of motor poles</b>	5.0
<b>Rotor inertia</b>	35.13 kg.cm <sup>2</sup>
<b>Stator resistance</b>	0.34 Ohm at 20 °C
<b>Stator inductance</b>	6.1 mH at 20 °C
<b>Stator electrical time constant</b>	13.24 ms at 20 °C
<b>Maximum radial force Fr</b>	670 N at 2000 rpm
<b>Maximum axial force Fa</b>	200 N
<b>Brake pull-in power</b>	49.6 W
<b>Type of cooling</b>	Natural convection
<b>Length</b>	203 mm
<b>Number of motor stacks</b>	4
<b>Centring collar diameter</b>	110 mm
<b>Centring collar depth</b>	8 mm
<b>Number of mounting holes</b>	4
<b>Mounting holes diameter</b>	9.2 mm
<b>Circle diameter of the mounting holes</b>	145 mm
<b>Distance shaft shoulder-flange</b>	8 mm
<b>Net weight</b>	19.3 kg
<b>Sizing reference</b>	BCH2
<b>Network number of phases</b>	3
<b>Accuracy error [angular]</b>	0.044 °
<b>Temperature copper hot</b>	135 °C
<b>Temperature magnet hot</b>	100 °C
<b>Temperature magnet rt</b>	20 °C
<b>Inertia</b>	35.12 kg.cm <sup>2</sup> of brake 35.13 kg.cm <sup>2</sup> of motor

## Environment

<b>IP degree of protection</b>	IP50 IM V3 IP65 IM B5, IM V1
<b>Ambient air temperature for operation</b>	0...40 °C

## Packing Units

<b>Unit Type of Package 1</b>	PCE
-------------------------------	-----

---

<b>Number of Units in Package 1</b>	1
<b>Package 1 Height</b>	24.5 cm
<b>Package 1 Width</b>	29.0 cm
<b>Package 1 Length</b>	58.5 cm
<b>Package 1 Weight</b>	22.4 kg

---

## **Contractual warranty**

---

<b>Warranty (in months)</b>	18
-----------------------------	----



## Environmental Data

Schneider Electric aims to achieve Net Zero status by 2050 through supply chain partnerships, lower impact materials, and circularity via our ongoing “Use Better, Use Longer, Use Again” campaign to extend product lifetimes and recyclability.

[Environmental Data explained >](#)

[How we assess product sustainability >](#)



### Environmental footprint

Total lifecycle Carbon footprint	2 293 kg CO2 eq.
Environmental Disclosure	<a href="#">Product Environmental Profile</a>
Carbon footprint of the manufacturing phase [A1 to A3]	128 kg CO2 eq.
Carbon footprint of the distribution phase [A4]	3 kg CO2 eq.
Carbon footprint of the installation phase [A5]	0.1 kg CO2 eq.
Carbon footprint of the use phase [B2, B3, B4, B6]	2 159 kg CO2 eq.
Carbon footprint of the end-of-life phase [C1 to C4]	2 kg CO2 eq.

## Use Better



### Materials and Substances

Packaging made with recycled cardboard	No
Packaging without single use plastic	No
<a href="#">EU RoHS Directive</a>	Compliant
REACH Regulation	<a href="#">REACH Declaration</a>

## Use Longer



### Lifetime extension

Repair	No
--------	----

## Use Again



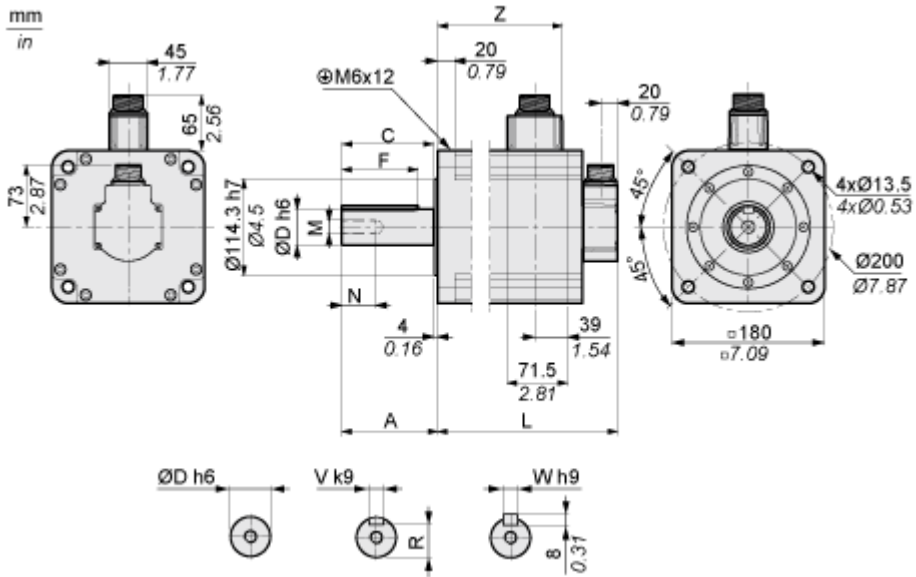
### Repack and remanufacture

End of life manual availability	<a href="#">End of Life Information</a>
Take-back	No

Dimensions Drawings

Dimensions

Dimensions of Motor



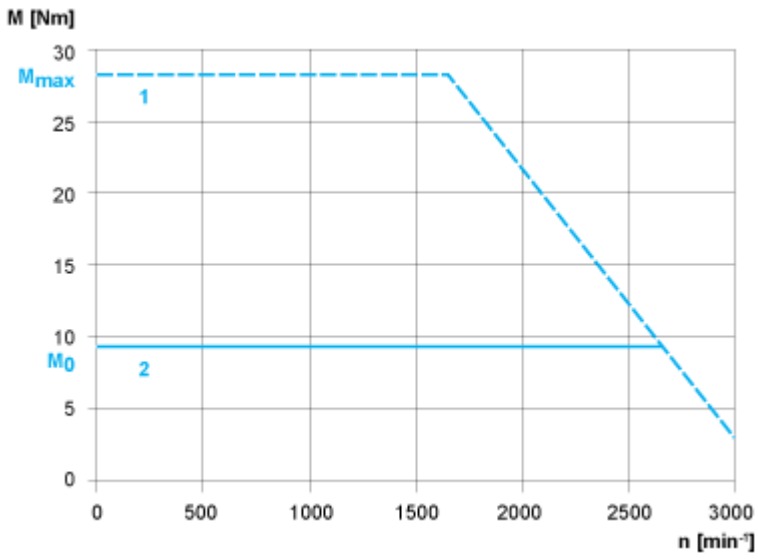
	mm	in.
L (without holding brake)	169	6.65
L (with holding brake)	203	7.99
A	79	3.11
C	73	2.87
D	35	1.38
F	63	2.48
N	28	1.10
M	M12	
R	30	1.18
V	10	0.39
W	10	0.39
Z	103	4.06

Performance Curves

Torque/Speed Curves with 230 V Three Phase Supply Voltage

---

Servo Motor with LXM28AU20••• Servo Drive



1 : Peak torque

2 : Continuous torque