

Product datasheet

Specifications



servo motor BCH2, Lexium, 180mm,
3000W, with oil seal, with key, 20 bit
MT encoder, straight connection

BCH2MR3023MA6C

Main

Range compatibility Easy Lexium 26
Lexium 28

Device short name BCH2

Product or component type Servo motor

Complementary

Maximum mechanical speed 3000 rpm

[Us] rated supply voltage 220 V

Network number of phases Three phase

Continuous stall current 16.33 A

Continuous stall torque 14.32 N.m for LXM26D at 19.8 A, 220 V, three phase
14.32 N.m for LXM28 at 19.8 A, 220 V, three phase

Continuous power 3000 W

Peak stall torque 42.97 N.m for LXM26D at 19.8 A, 220 V, three phase
42.97 N.m for LXM28... at 19.8 A, 220 V, three phase

Nominal output power 3000 W for LXM26D at 19.8 A, 220 V, three phase
3000 W for LXM28... at 19.8 A, 220 V, three phase

Nominal torque 14.32 N.m for LXM26D at 19.8 A, 220 V, three phase
14.32 N.m for LXM28... at 19.8 A, 220 V, three phase

Nominal speed 2000 rpm for LXM26D at 19.8 A, 220 V, three phase
2000 rpm for LXM28... at 19.8 A, 220 V, three phase

Maximum current Irms 53.9 A for LXM26D at 3 kW, 220 V
53.9 A for LXM28... at 3 kW, 220 V

Maximum permanent current 18.8 A

Product compatibility LXM26D servo drive motor at 3 kW, 220 V, three phase
LXM28... servo drive motor at 3 kW, 220 V, three phase

Shaft end Keyed

Shaft diameter 35 mm

Shaft length 79 mm

Key width 10 mm

Feedback type 20 bits multi turn absolute encoder

Holding brake Without

Mounting support Asian standard flange

Motor flange size 180 mm

Electrical connection Connector MIL

Torque constant	0.88 N.m/A at 20 °C
Back emf constant	53 V/krpm at 20 °C
Number of motor poles	5.0
Rotor inertia	53.56 kg.cm ²
Stator resistance	0.131 Ohm at 20 °C
Stator inductance	2.71 mH at 20 °C
Stator electrical time constant	20.61 ms at 20 °C
Maximum radial force Fr	1200 N at 2000 rpm
Maximum axial force Fa	497 N
Brake pull-in power	49.6 W
Type of cooling	Natural convection
Length	202 mm
Number of motor stacks	2
Centring collar diameter	114.3 mm
Centring collar depth	4 mm
Number of mounting holes	4
Mounting holes diameter	13.5 mm
Circle diameter of the mounting holes	200 mm
Distance shaft shoulder-flange	4 mm
Net weight	18.5 kg
Sizing reference	BCH2
Network number of phases	3
Accuracy error [angular]	0.044 °
Temperature copper hot	135 °C
Temperature magnet hot	100 °C
Temperature magnet rt	20 °C
Inertia	0.0 kg.cm ² of brake 53.55 kg.cm ² of motor

Environment

IP degree of protection	IP50 IM V3 IP65 IM B5, IM V1
Ambient air temperature for operation	-20...40 °C

Packing Units

Unit Type of Package 1	PCE
Number of Units in Package 1	1
Package 1 Height	24.5 cm
Package 1 Width	29.0 cm
Package 1 Length	58.5 cm
Package 1 Weight	20.5 kg

Contractual warranty

Warranty (in months)

18



Environmental Data

Schneider Electric aims to achieve Net Zero status by 2050 through supply chain partnerships, lower impact materials, and circularity via our ongoing “Use Better, Use Longer, Use Again” campaign to extend product lifetimes and recyclability.

[Environmental Data explained >](#)

[How we assess product sustainability >](#)



Environmental footprint

Total lifecycle Carbon footprint	8 358 kg CO2 eq.
Environmental Disclosure	Product Environmental Profile
Carbon footprint of the manufacturing phase [A1 to A3]	117 kg CO2 eq.
Carbon footprint of the distribution phase [A4]	3 kg CO2 eq.
Carbon footprint of the installation phase [A5]	0.1 kg CO2 eq.
Carbon footprint of the use phase [B2, B3, B4, B6]	8 236 kg CO2 eq.
Carbon footprint of the end-of-life phase [C1 to C4]	2 kg CO2 eq.

Use Better



Materials and Substances

Packaging made with recycled cardboard	Yes
Packaging without single use plastic	No
EU RoHS Directive	Pro-active compliance (Product out of EU RoHS legal scope)
REACH Regulation	REACH Declaration
PVC free	Yes

Use Longer



Lifetime extension

Repair	No
--------	----

Use Again



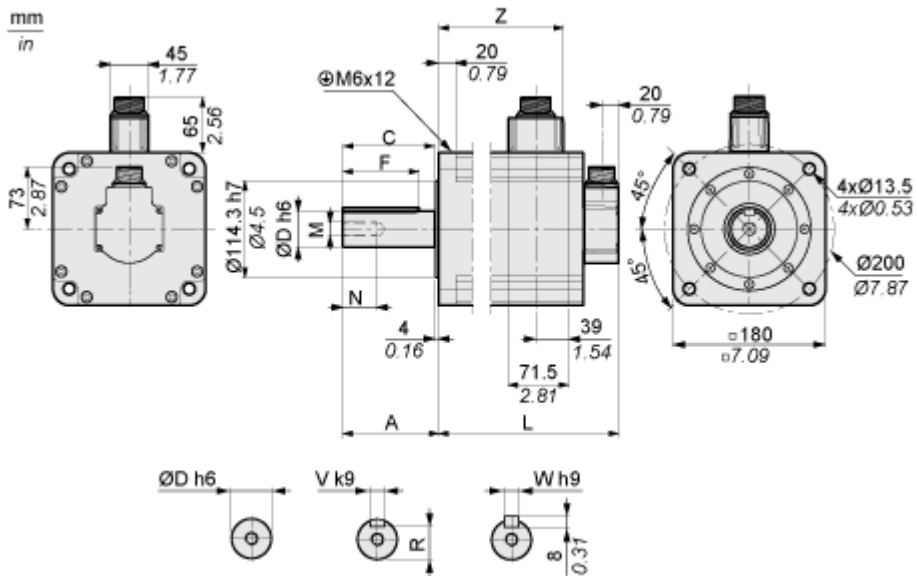
Repack and remanufacture

End of life manual availability	End of Life Information
Take-back	No

Dimensions Drawings

Dimensions

Dimensions of Motor

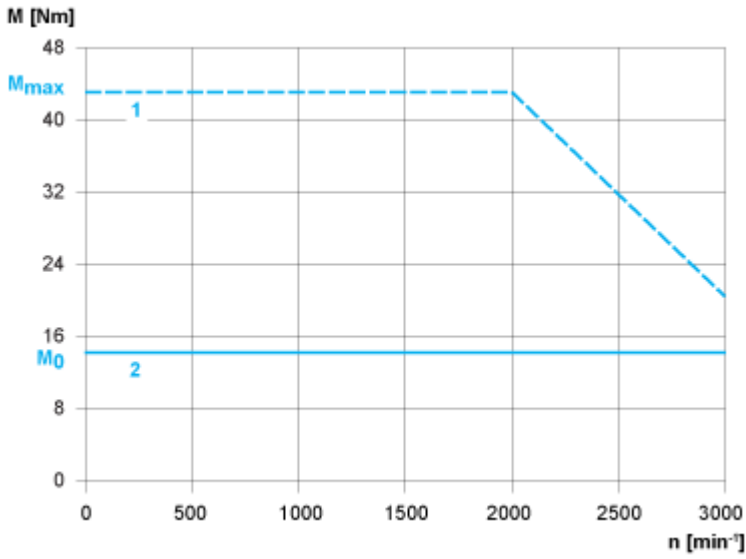


	mm	in.
L (without holding brake)	202	7.95
L (with holding brake)	235	9.25
A	79	3.11
C	73	2.87
D	35	1.38
F	63	2.48
N	28	1.10
M	M12	
R	30	1.18
V	10	0.39
W	10	0.39
Z	136	5.35

Performance Curves

Torque/Speed Curves with 230 V Three Phase Supply Voltage

Servo Motor with LXM28AU30••• Servo Drive



1 : Peak torque

2 : Continuous torque