



Stand-alone assembly support for 3RU21/3RB30/3RB31/3RR2 Size S2 Stand-alone installation Main circuit: screw Reusable packaging Pack = 36 units

<b>product category</b>	Terminal support
<b>product designation</b>	individual mount
<b>General technical data</b>	
<b>size of overload relay</b>	S2
<b>protection class IP on the front</b>	IP20
<ul style="list-style-type: none"> <li>• according to IEC 60529</li> </ul>	
<b>Substance Prohibitation (Date)</b>	10/15/2014
<b>Net Weight</b>	0.162 kg
<b>Ambient conditions</b>	
<b>ambient temperature</b>	-20 ... +70 °C
<ul style="list-style-type: none"> <li>• during operation</li> </ul>	
<ul style="list-style-type: none"> <li>• during storage</li> </ul>	
<b>Electrical Safety</b>	
<b>protection class IP on the front according to IEC 60529</b>	IP20
<b>touch protection on the front according to IEC 60529</b>	finger-safe, for vertical contact from the front
<b>Installation/ mounting/ dimensions</b>	
<b>fastening method</b>	screw and snap-on mounting onto 35 mm DIN rail
<b>height</b>	105 mm
<b>width</b>	55 mm
<b>depth</b>	110 mm
<b>Connections/ Terminals</b>	
<b>type of electrical connection</b>	screw-type terminals
<ul style="list-style-type: none"> <li>• for main current circuit</li> </ul>	
<b>type of connectable conductor cross-sections</b>	1x (1 ... 50 mm <sup>2</sup> ) 1x (1 ... 50 mm <sup>2</sup> ) 1x (1 ... 35 mm <sup>2</sup> ) 1x (18 ... 1)
<ul style="list-style-type: none"> <li>• for main contacts</li> </ul>	
<ul style="list-style-type: none"> <li>— solid</li> </ul>	
<ul style="list-style-type: none"> <li>— stranded</li> </ul>	
<ul style="list-style-type: none"> <li>— finely stranded with core end processing</li> </ul>	
<ul style="list-style-type: none"> <li>• for AWG cables for main contacts</li> </ul>	
<b>Further information</b>	

### Information on the packaging

<https://support.industry.siemens.com/cs/ww/en/view/109813875>

### Information for data generation and storage

<https://support.industry.siemens.com/cs/ww/en/view/109995012>

### Information- and Downloadcenter (Catalogs, Brochures,...)

<https://www.siemens.com/ic10>

### Industry Mall (Online ordering system)

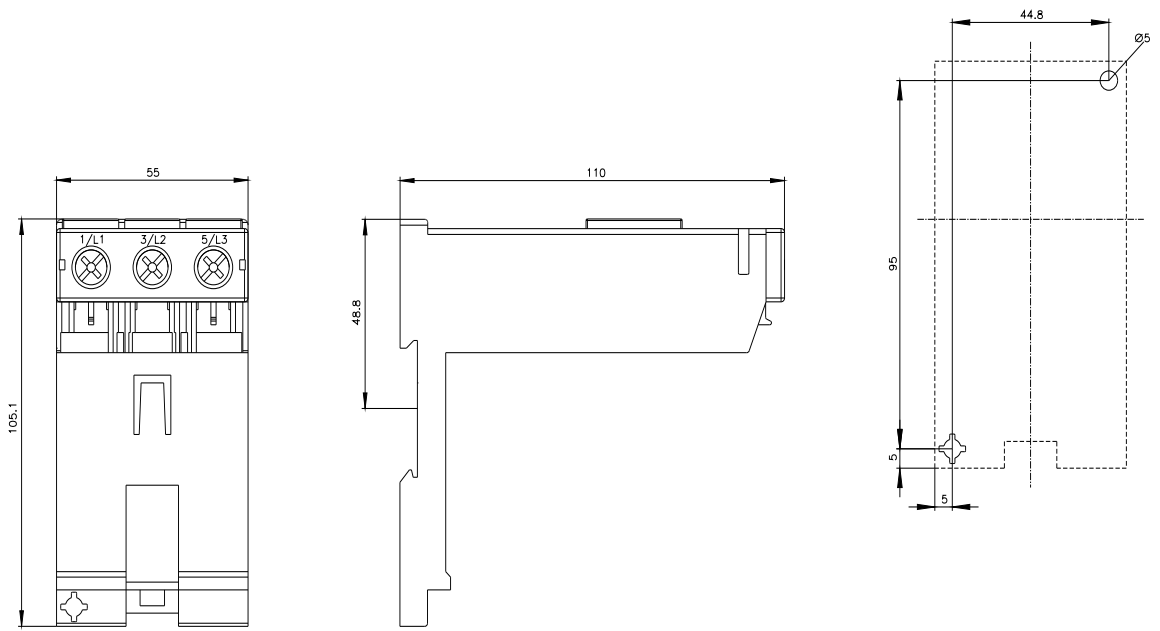
<https://mall.industry.siemens.com/mall/en/en/Catalog/product?mlfb=3RU2936-3AA01-Z X95>

### Cax online generator

<https://support.automation.siemens.com/WW/CAXorder/default.aspx?lang=en&mlfb=3RU2936-3AA01-Z X95>

### Service&Support (Manuals, Certificates, Characteristics, FAQs,...)

<https://support.industry.siemens.com/cs/ww/en/ps/3RU2936-3AA01-Z X95>



last modified:

8/8/2025