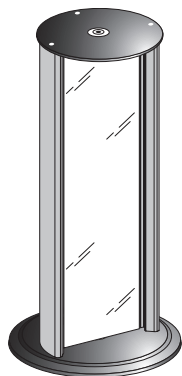


Safety detection solutions

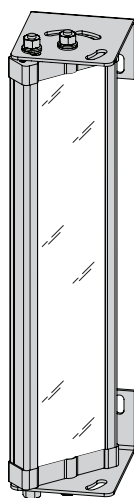
Accessories for safety light curtains

types 2 and 4

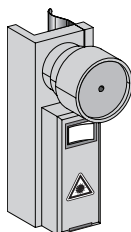
XUSL range



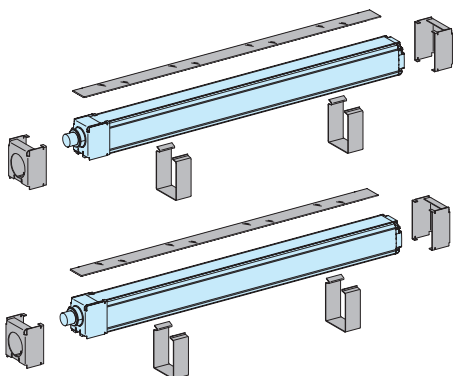
XUSZMF●●●



XUSZMD●●●



XUSZLPE



XUSZWPE●●● + XUSZWPEFC

Aluminum mounting columns with mirror adapters ⁽¹⁾

Height of column mm	Protected height mm	For use with	Reference	Weight kg
1,200	910	XUSL●E●●●016 to XUSL●E●●●091	XUSZMF125	5.800
1,330	1,060	XUSL●E●●●091 to XUSL●E●●●106	XUSZMF138	6.400
1,670	1,360	XUSL●E●●●106 to XUSL●E●●●136	XUSZMF172	8.000
1,970	1,810	XUSL●E●●●136 to XUSL●E●●●181	XUSZMF202	9.000

Adjustable mirror adapters ⁽²⁾

Height of mirror mm	Protected height mm	For use with	Reference	Weight kg
250	160	XUSL●E●●●016	XUSZMD016	0.900
400	310	XUSL●E●●●026 and XUSL●E●●●031	XUSZMD031	1.400
540	460	XUSL●E●●●046	XUSZMD046	1.800
715	610	XUSL●E●●●061 and 2-beam light curtains	XUSZMD061	2.400
885	760	XUSL●E●●●076	XUSZMD076	2.800
1,060	910	XUSL●E●●●091 and 3-beam light curtains	XUSZMD091	3.300
1,230	1,060	XUSL●E●●●106 and 4-beam light curtains	XUSZMD106	3.800
1,400	1,210	XUSL●E●●●121	XUSZMD121	4.400
1,450	1,360	XUSL●E●●●136	XUSZMD136	4.500
1,600	1,510	XUSL●E●●●151	XUSZMD151	5.000
1,750	1,660	XUSL●E●●●166	XUSZMD166	5.500
1,900	1,810	XUSL●E●●●181	XUSZMD181	6.000

Laser alignment tool

Description	Reference	Weight kg
For aligning transmitters and receivers when used with or without a mirror	XUSZLPE ⁽³⁾	0.800

Polycarbonate protective covers ⁽⁴⁾

Height mm	For use with	Reference	Weight kg
195	XUSL●E●●●016	XUSZWPE015 ⁽⁵⁾	0.080
345	XUSL●E●●●031	XUSZWPE030 ⁽⁵⁾	0.140
495	XUSL●E●●●046	XUSZWPE045 ⁽⁵⁾	0.200
635	XUSL●E2BB051	XUSZWPE050 ⁽⁵⁾	0.210
645	XUSL●E●●●061	XUSZWPE060 ⁽⁵⁾	0.260
795	XUSL●E●●●076	XUSZWPE075 ⁽⁵⁾	0.310
935	XUSL●E3BB081	XUSZWPE080 ⁽⁵⁾	0.330
945	XUSL●E●●●091	XUSZWPE090 ⁽⁵⁾	0.380
1,035	XUSL●E4BB091	XUSZWPE091 ⁽⁵⁾	0.410
1,095	XUSL●E●●●106	XUSZWPE105 ⁽⁵⁾	0.440
1,245	XUSL●E●●●121	XUSZWPE120 ⁽⁵⁾	0.500
1,395	XUSL●E●●●136	XUSZWPE135 ⁽⁵⁾	0.560
1,545	XUSL●E●●●151	XUSZWPE150 ⁽⁵⁾	0.620
1,695	XUSL●E●●●166	XUSZWPE165 ⁽⁵⁾	0.680
1,845	XUSL●E●●●181	XUSZWPE180 ⁽⁵⁾	0.740

Pack of mounting clamps for protective covers

Description	Reference	Weight kg
Stainless steel clamps for XUSZWPE●●● for light curtain pair (transmitter + receiver) ■ 4 end clamps ■ 4 retaining clamps	XUSZWPEFC	0.150

⁽¹⁾ The floor mounting bases XUSZFB1 and XUSZFB2 must be ordered separately.

⁽²⁾ Supplied with 2 mounting brackets.

⁽³⁾ Suitable for all light curtains except for those mounted in IP 69K sealed protection tube.

⁽⁴⁾ The protective covers are not compatible with XUSZBSS4 adjustable brackets.

⁽⁵⁾ Sold in lots of 4.