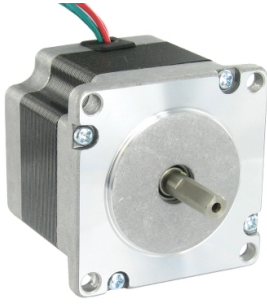


Product data sheet

Specifications



2-phase stepper motor - 0.64 N.m - shaft Ø6.35 mm - L=45mm - without brake - 3A

BRS2571A300

⚠ Discontinued on: Aug 7, 2023

⚠ Discontinued

Main

Range compatibility	Lexium SD2
Product or component type	Motion control motor
Device short name	BRS2
Motor type	2-phase stepper motor

Complementary

Maximum mechanical speed	1800 rpm
Supply voltage limits	12...48 V DC
Mounting support	Flange
Motor flange size	2.2 in (56.4 mm)
Length	1.8 in (45 mm)
Number of motor stacks	1
Centring collar diameter	1.5 in (38 mm)
Centring collar depth	0.06 in (1.6 mm)
Number of mounting holes	4
Mounting holes diameter	0.2 in (5 mm)
Circle diameter of the mounting holes	2.6 in (66.6 mm)
Electrical connection	Flying lead
Holding brake	Without
Shaft end	Smooth shaft
Second shaft	Without second shaft end
Shaft diameter	0.25 in (6.35 mm)
Shaft length	0.7 in (19 mm)
Holding torque	5.66 lbf.in (0.64 N.m)
Rotor inertia	0.18 kg.cm ²
Resolution	200 steps number of full steps per revolution 1.8 ° step angle
[In] rated current	3 A
Resistance	0.65 Ohm winding)

Environment

Ambient air temperature for operation	-13...104 °F (-25...40 °C)
Ambient air temperature for storage	-13...158 °F (-25...70 °C)
Operating altitude	<= 1000 m without power derating
Relative humidity	15...85 % without condensation
IP degree of protection	IP20 conforming to IEC/EN 60034-1
Temperature class	B winding IEC/EN 60034-1

Packing Units

Unit Type of Package 1	PCE
Number of Units in Package 1	1
Package 1 Height	7.6 in (19.4 cm)
Package 1 Width	11.5 in (29.2 cm)
Package 1 Length	15.1 in (38.4 cm)
Package 1 Weight	20.0 oz (566.0 g)
Unit Type of Package 2	CAR
Number of Units in Package 2	16
Package 2 Height	7.6 in (19.4 cm)
Package 2 Width	11.5 in (29.2 cm)
Package 2 Length	15.1 in (38.4 cm)
Package 2 Weight	19.965 lb(US) (9.056 kg)
Unit Type of Package 3	S06
Number of Units in Package 3	64
Package 3 Height	28.9 in (73.5 cm)
Package 3 Width	23.6 in (60.0 cm)
Package 3 Length	31.5 in (80.0 cm)
Package 3 Weight	108.520 lb(US) (49.224 kg)

Contractual warranty

Warranty (in months)	18
-----------------------------	----



Environmental Data

Schneider Electric aims to achieve Net Zero status by 2050 through supply chain partnerships, lower impact materials, and circularity via our ongoing “Use Better, Use Longer, Use Again” campaign to extend product lifetimes and recyclability.

[Environmental Data explained >](#)

[How we assess product sustainability >](#)

Use Longer



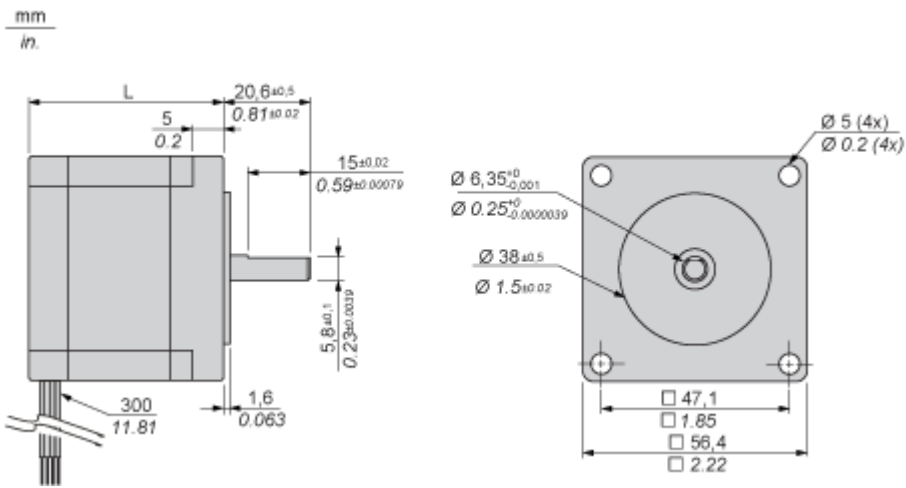
Lifetime extension

Repair

No

Dimensions Drawings

Dimensions



Dimensions in mm

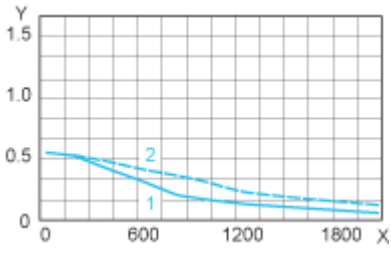
L
45

Dimensions in in.

L
1.77

Performance Curves

Torque Characteristics



X : Speed of rotation in rpm

Y : Torque in Nm

1 : 24 VDC

2 : 48 VDC