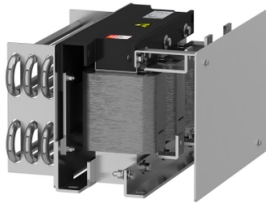


Product datasheet

Specifications



output dv/dt filter, Altivar, for variable speed drive, 55 to 160kW, 305A, IP00

VW3A5307

Main

Product or component type	Dv/dt filter
Range compatibility	Easy Altivar 610 Altivar Process ATV900 Altivar Process ATV600
Product specific application	Output filter
[In] rated current	305 A
Product compatibility	ATV630 variable speed drive wall mount - 110 kW, 380...480 V ATV630 variable speed drive wall mount - 132 kW, 380...480 V ATV630 variable speed drive wall mount - 160 kW, 380...480 V ATV630 variable speed drive wall mount - 55 kW, 200...240 V ATV630 variable speed drive wall mount - 75 kW, 200...240 V ATV610 variable speed drive - 110 kW, 380...415 V ATV610 variable speed drive - 132 kW, 380...415 V ATV610 variable speed drive - 160 kW, 380...415 V ATV930 variable speed drive wall mount - 110 kW, 380...480 V ATV930 variable speed drive wall mount - 132 kW, 380...480 V ATV930 variable speed drive wall mount - 160 kW, 380...480 V ATV930 variable speed drive wall mount - 55 kW, 200...240 V ATV930 variable speed drive wall mount - 75 kW, 200...240 V
needed quantity	1
Electrical connection	Copper bar M10, connection capacity: 300 mm ² / 500 kcmil

Complementary

Maximum motor cable length	500 m unshielded cable 300 m shielded cable
dv/dt	6000 V/μs max at 200...240 V 6000 V/μs max at 380...480 V
Thermal losses	287 W at 4 kHz
maximum drive output frequency	100 Hz
Ambient air temperature for operation	-10...50 °C (without current derating) 50...60 °C (with current derating 1.5 % per °C)
Operating altitude	0...1000 m without current derating 1000...4000 m with current derating 1 % per 100 m
Width	420 mm
Height	360 mm
Depth	270 mm
Product weight	40 kg

Environment

IP degree of protection	IP00
Ambient air temperature for storage	-40...70 °C

Packing Units

Unit Type of Package 1	PCE
Number of Units in Package 1	1
Package 1 Height	43.500 cm
Package 1 Width	45.000 cm
Package 1 Length	79.000 cm
Package 1 Weight	53.000 kg

Contractual warranty

Warranty (in months)	18
----------------------	----



Environmental Data

Schneider Electric aims to achieve Net Zero status by 2050 through supply chain partnerships, lower impact materials, and circularity via our ongoing “Use Better, Use Longer, Use Again” campaign to extend product lifetimes and recyclability.

[Environmental Data explained >](#)

[How we assess product sustainability >](#)

Use Better



Materials and Substances

Packaging made with recycled cardboard	No
Packaging without single use plastic	No
EU RoHS Directive	Compliant
REACH Regulation	Free of Substances of Very High Concern above the threshold

Use Longer



Lifetime extension

Repair	No
--------	----

Use Again

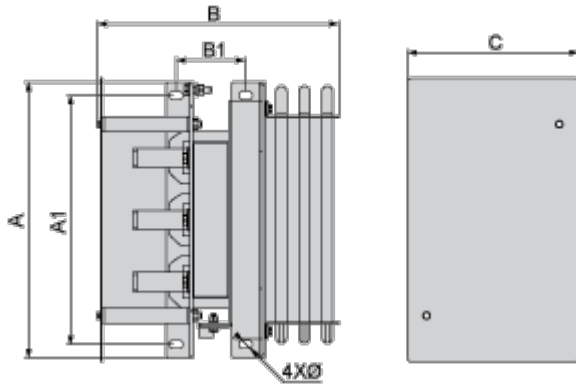


Repack and remanufacture

Take-back	No
-----------	----

Dimensions Drawings

Dimensions



Dimensions in mm

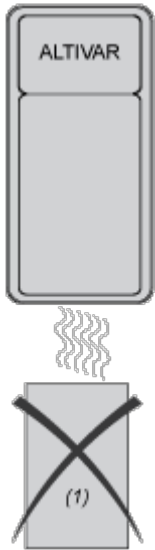
A	B	C	A1	B1	Ø
420	350	270	360	116	11

Dimensions in in.

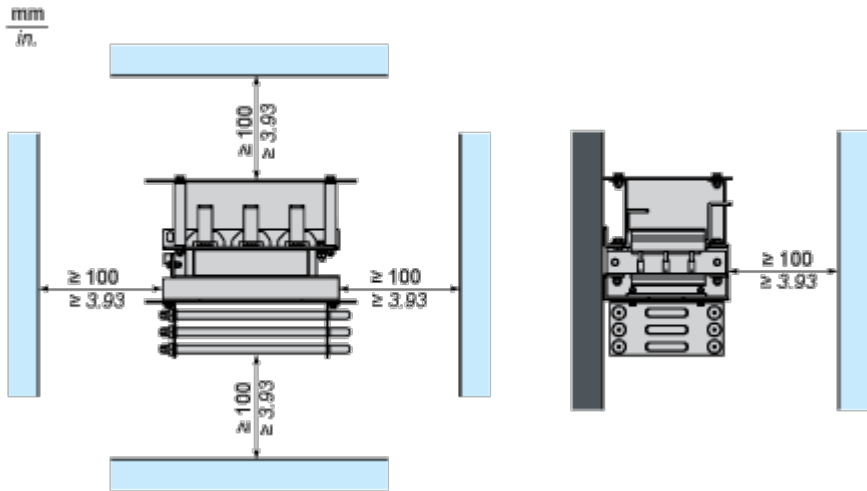
A	B	C	A1	B1	Ø
16.5	13.8	10.6	14.2	4.6	0.43

Mounting and Clearance

Mounting and Clearance

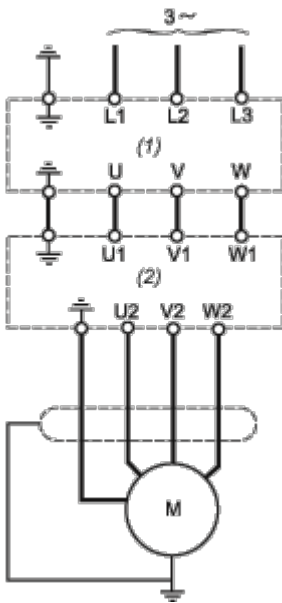


(1) Filter



Connections and Schema

Recommended Schema



- (1) Drive
- (2) Filter