

## Plug-On Neutral Electronic Circuit Breakers

AFCI, Dual Function, and GFCI

[usa.siemens.com/afci](http://usa.siemens.com/afci)

Siemens Plug-On Electronic Breakers are the perfect solution to wiring made easier. The design allows for the same reliable installation method. The small footprint allows for over 4 inches of wire bending space. The neutral clip is the same, trusted connection as the line side clip.

### Simple. Spacious. Secure.

The CAFCI plug-on breakers now have a single load lug(s) only with the neutral lug removed. These breakers can be installed in the same manner as the thermal magnetic breakers. This allows the installer to land ground and neutral conductors in the load center before installing the breaker and load conductor.

### Our offering:

- 1 and 2-pole CAFCI
- 1-pole Dual Function (CAFCI/GFCI)
- 1-pole GFCI

### Features

- Load lug(s) only on the CAFCI breakers
- Trusted Plug-On Neutral connection
- LED indicators for troubleshooting
- Insta-wire connectors

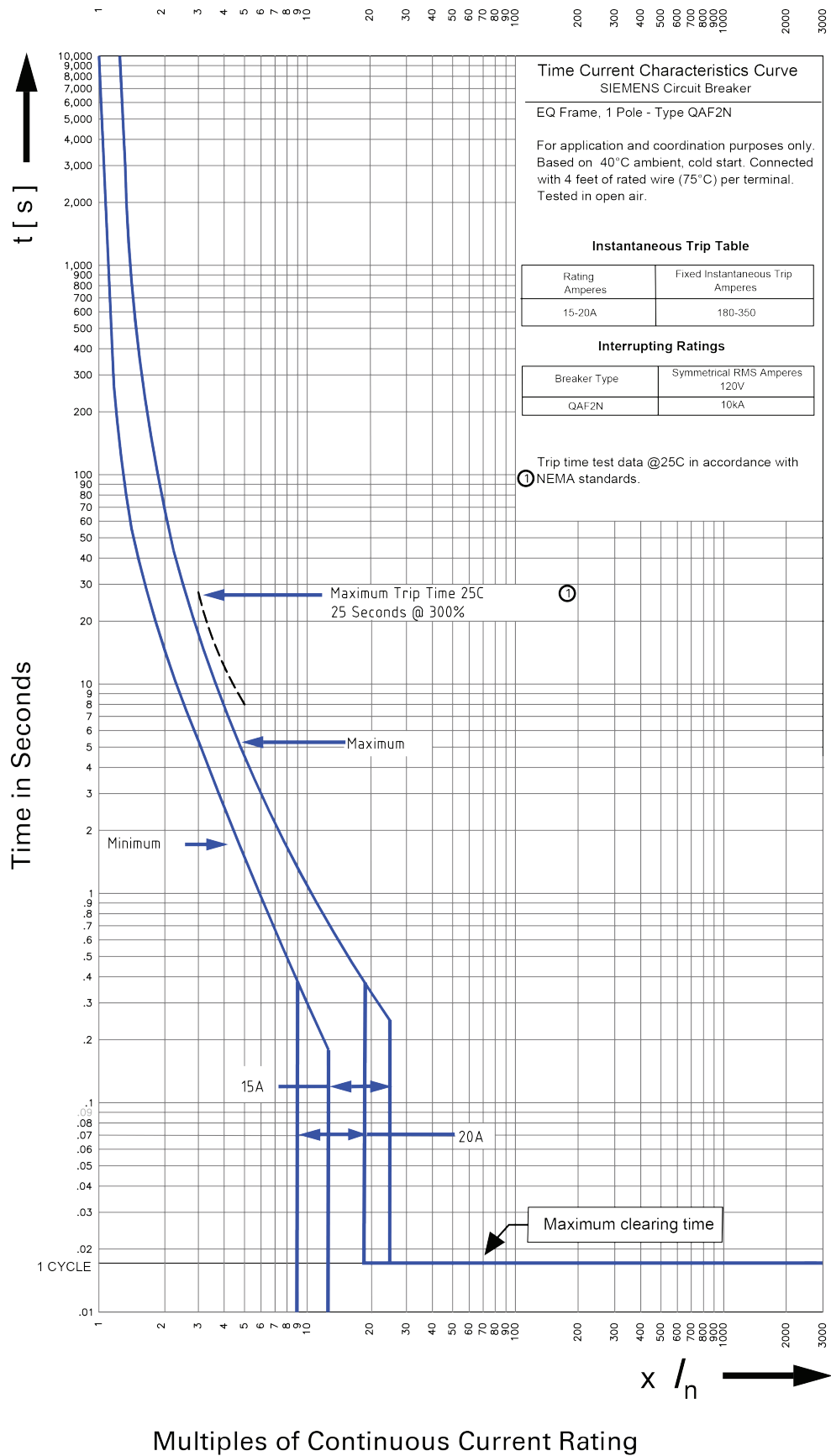
### Technical Data

- 10,000 AIC
- 120V
- UL Listed
- HACR and SWD rated

Combination Type AFCI	
1-pole	QA115AFCN QA120AFCN
2-pole	Q215AFCN Q220AFCN
Dual Function	
1-pole	Q115DFN Q120DFN
GFCI Class A 5mA	
1-pole	QF115AN QF120AN QF130AN

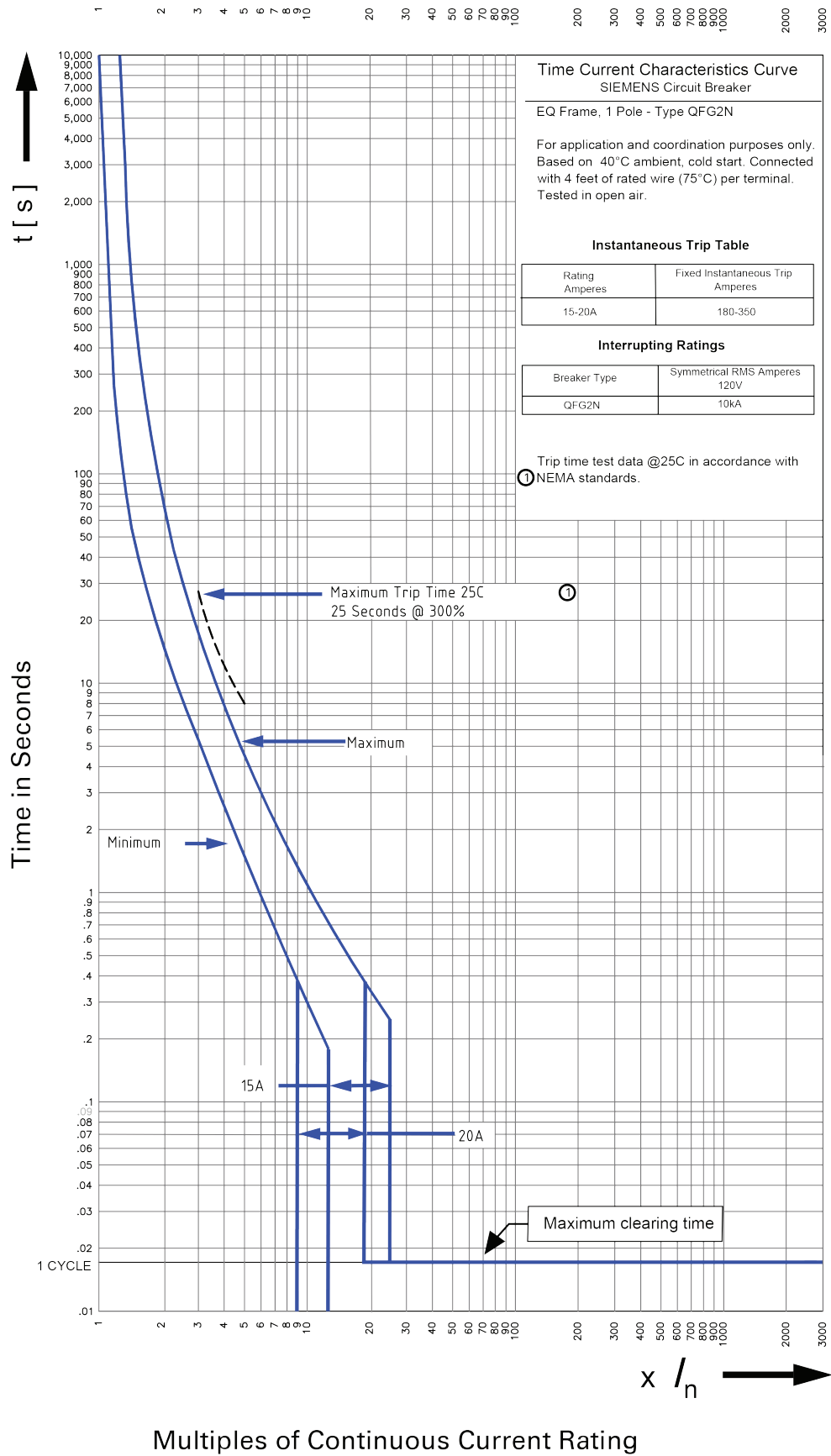
# Time Current Characteristic Curves

## 1-pole Combination Type AFCI



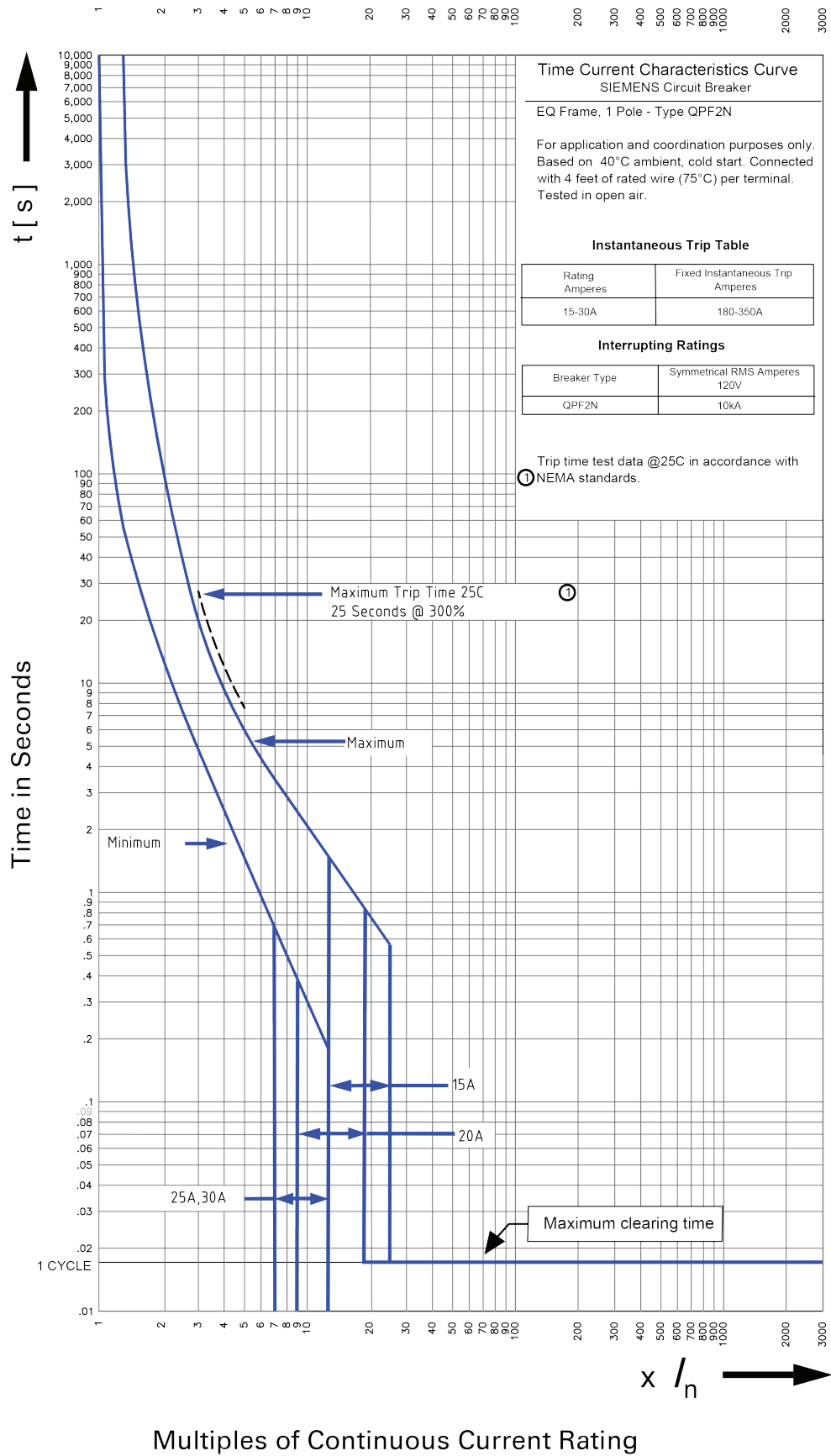
# Time Current Characteristic Curves

## 1-pole Dual Function AFCI/GFCI



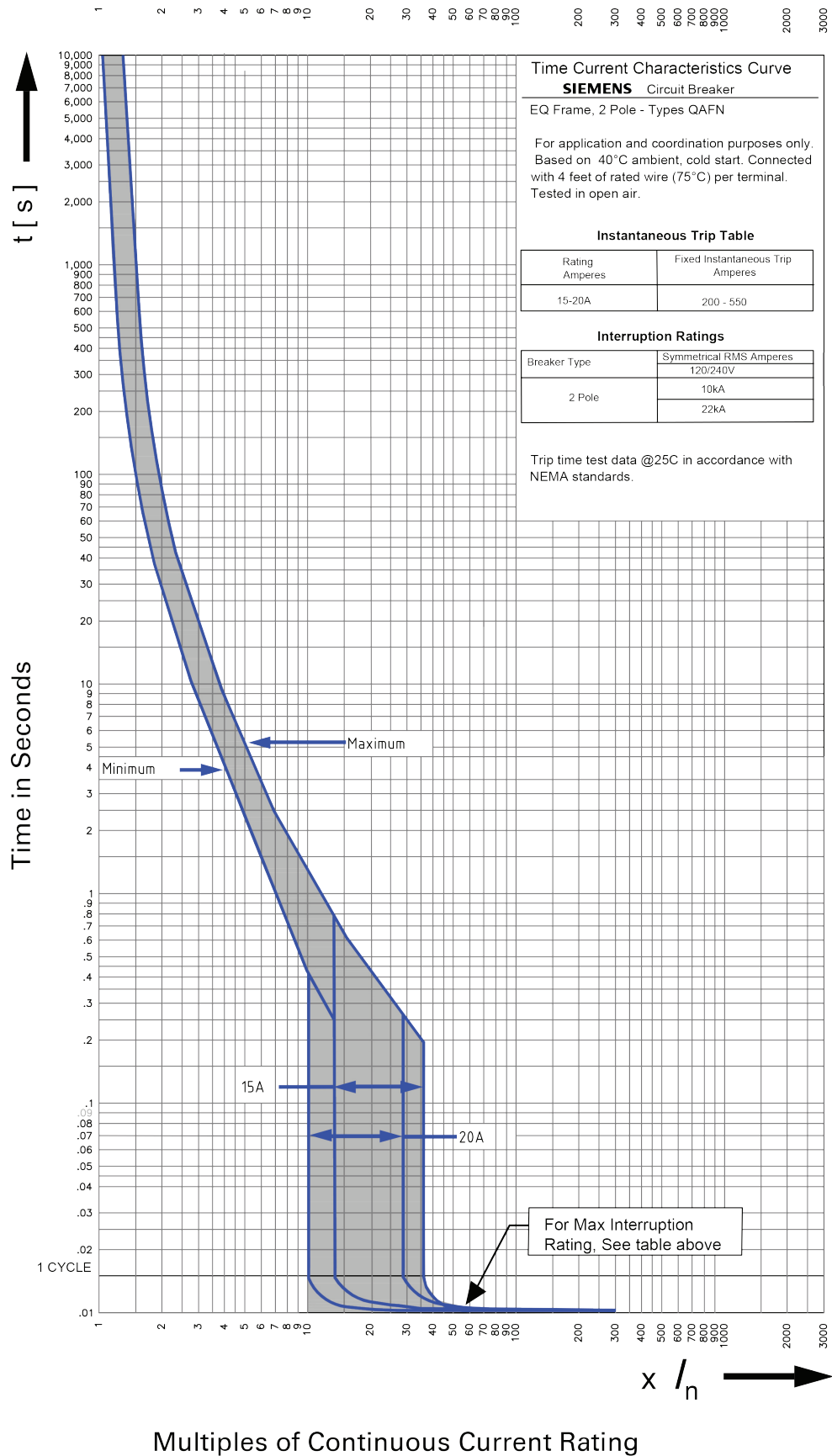
# Time Current Characteristic Curves

## 1-pole GFCI



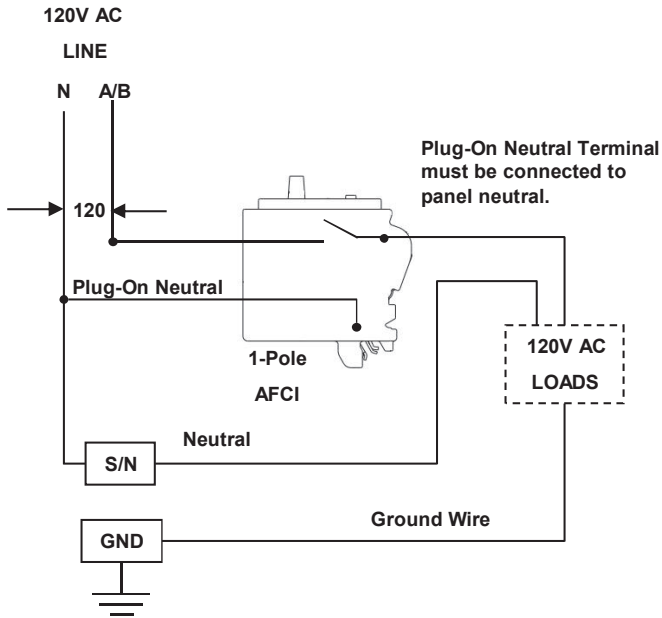
# Time Current Characteristic Curves

## 2-pole Combination Type AFCI

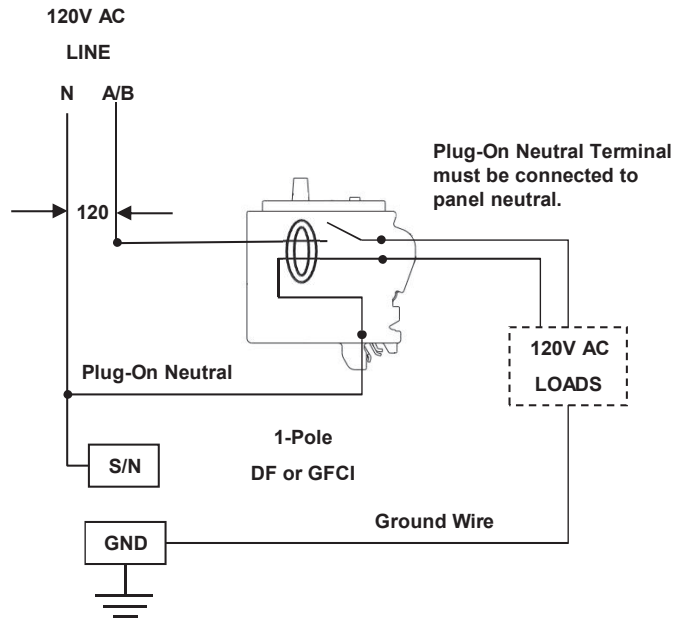


# Wiring Diagrams

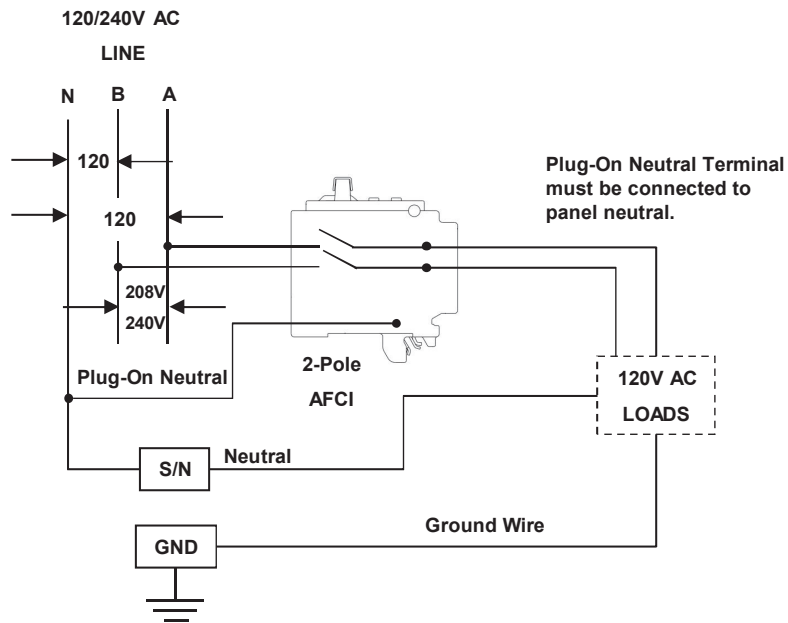
## 1-pole CAFCI



## 1-pole Dual Function and GFCI

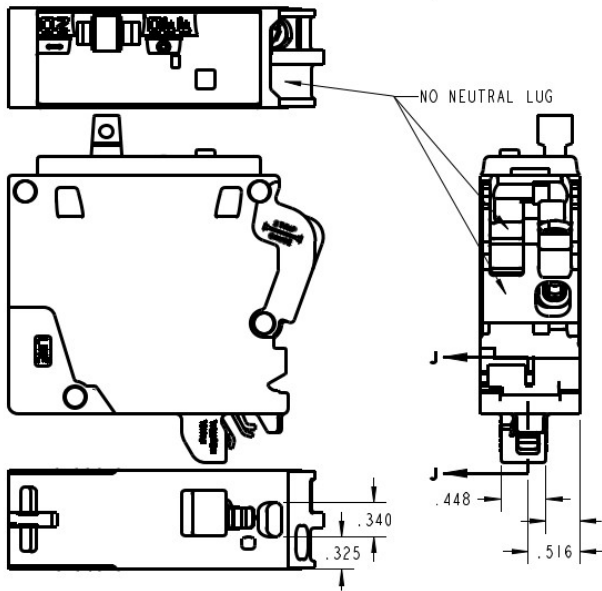


## 2-pole CAFCI

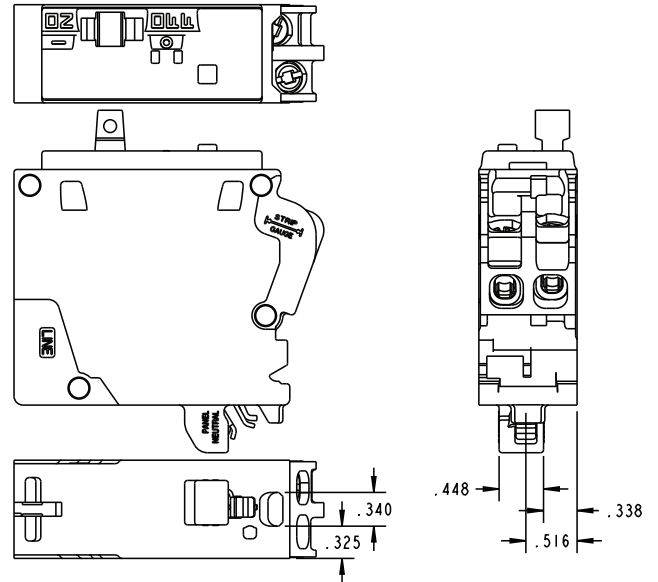


# Dimensional Drawings

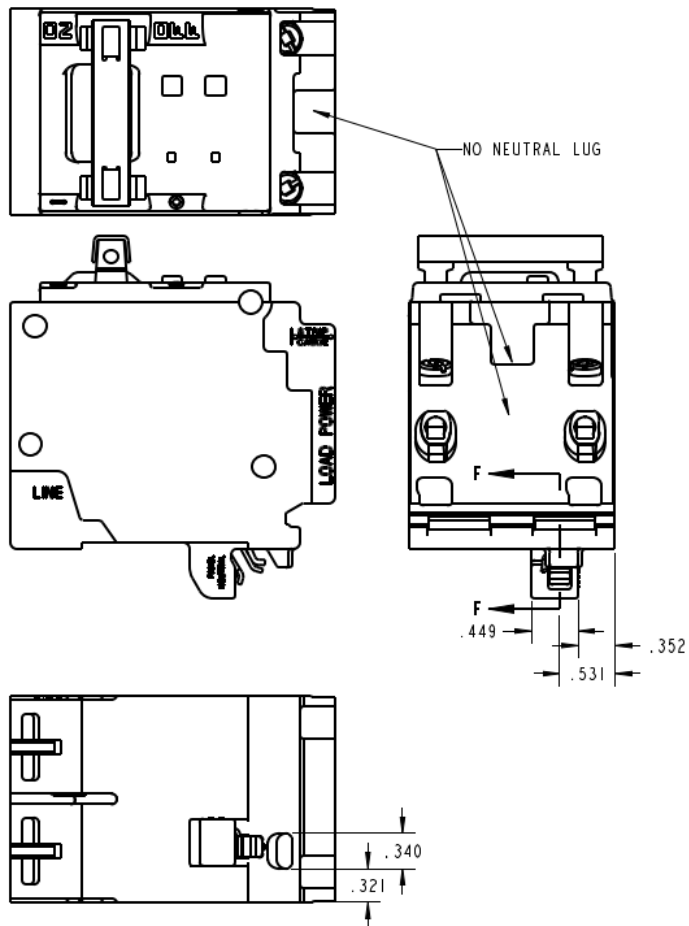
## 1-pole CAFCI



## 1-pole Dual Function and GFCI



## 2-pole CAFCI



**Published by  
Siemens 2020**

Siemens Industry, Inc.  
5400 Triangle Parkway  
Norcross, GA 30092

Siemens Technical Support: 1-800-333-7421  
info.us@siemens.com

Printed in USA-CP  
Order No. CMFL-PONCB-0320  
All Rights Reserved  
© 2020, Siemens Industry, Inc.  
[usa.siemens.com/afci](http://usa.siemens.com/afci)

The technical data presented in this document is based on an actual case or on as-designed parameters, and therefore should not be relied upon for any specific application and does not constitute a performance guarantee for any projects. Actual results are dependent on variable conditions. Accordingly, Siemens does not make representations, warranties, or assurances as to the accuracy, currency or completeness of the content contained herein. If requested, we will provide specific technical data or specifications with respect to any customer's particular applications. Our company is constantly involved in engineering and development. For that reason, we reserve the right to modify, at any time, the technology and product specifications contained herein.