

AS Interface coupling module FK for 2" x 4" AS-i cable



product category	accessories digital I/O modules for operation in the field, IP67 - user modules	
design of the product	FK coupling module, standard version, for 2 x AS-Interface cables (yellow)	
accessories included	1x coupling module, 4x shaped seals, 3x end seals	
<b>General technical data</b>		
operating voltage according to AS-Interface specification	26.5 ... 31.6 V	
contact rating maximum	2 A	
protection class IP	IP67	
Substance Prohibittance (day/month/year)	07/01/2006	
SVHC substance name	6,6'-di-tert-butyl-2,2'-methylenedi-p-cresol CAS-No. 119-47-1	
Net Weight	0.066 kg	
<b>Ambient conditions</b>		
ambient temperature	-25 ... +85 °C	
• during operation		
<b>Connections/ Terminals</b>		
type of electrical connection	insulation piercing method for AS-Interface flat cable	
<b>Approvals Certificates</b>		
Environment	General Product Approval	Maritime application

[Environmental Con-  
firmations](#)



other

[Confirmation](#)

[Confirmation](#)



**Further information**

**Siemens is working on the renewal of the current EAC certificates.**

Please contact your local Siemens office on the status of validity of the EAC certification if you intend to import or offer to supply these products to an EAC relevant market (other than the sanctioned EAEU member states Russia or Belarus).

**Siemens has decided to exit the Russian market (see here).**

<https://press.siemens.com/global/en/pressrelease/siemens-wind-down-russian-business>

**Information on the packaging**

<https://support.industry.siemens.com/cs/ww/en/view/109813875>

**Information for data generation and storage**

<https://support.industry.siemens.com/cs/ww/en/view/109995012>

**Information- and Downloadcenter (Catalogs, Brochures,...)**

<https://www.siemens.com/ic10>

Industry Mall (Online ordering system)

<https://mall.industry.siemens.com/mall/en/en/Catalog/product?mlfb=3RG9010-0AA00>

Cax online generator

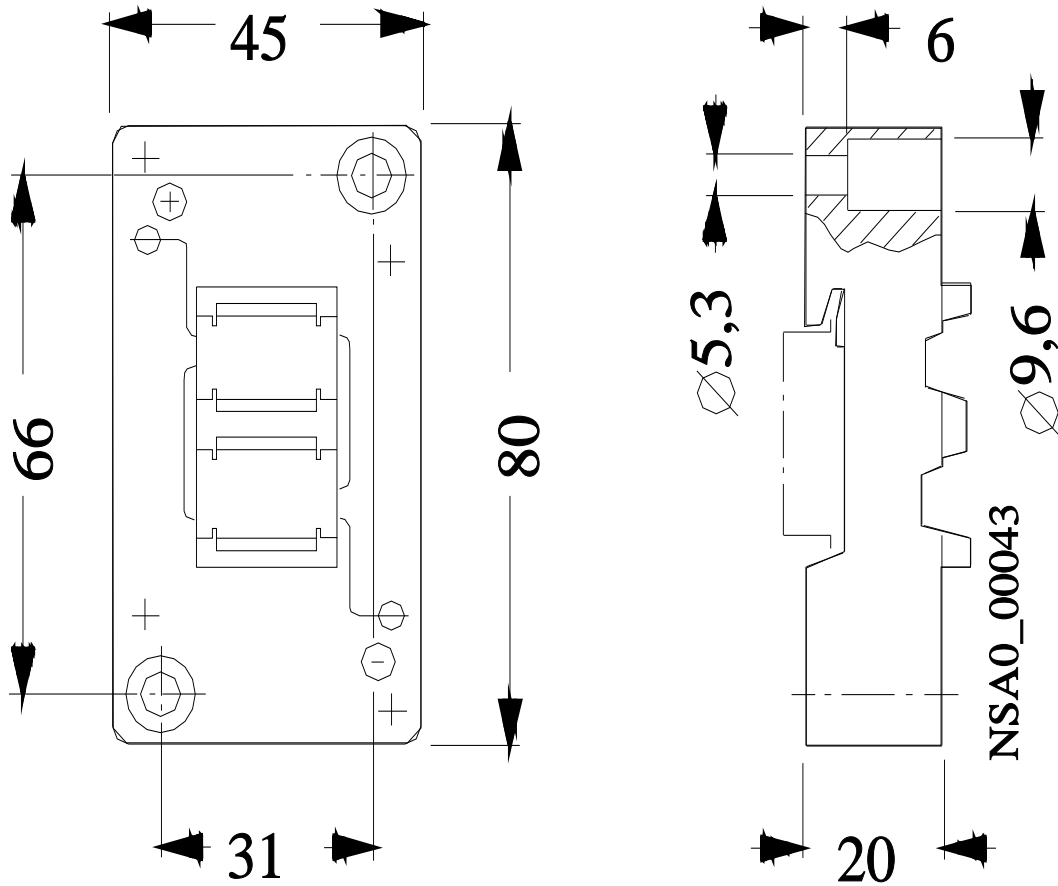
<https://support.automation.siemens.com/WW/CAXorder/default.aspx?lang=en&mlfb=3RG9010-0AA00>

Service&Support (Manuals, Certificates, Characteristics, FAQs,...)

<https://support.industry.siemens.com/cs/ww/en/ps/3RG9010-0AA00>

Image database (product images, 2D dimension drawings, 3D models, device circuit diagrams, EPLAN macros, ...)

[https://www.automation.siemens.com/bilddb/cax\\_de.aspx?mlfb=3RG9010-0AA00&lang=en](https://www.automation.siemens.com/bilddb/cax_de.aspx?mlfb=3RG9010-0AA00&lang=en)



last modified:

11/13/2025