

# Product datasheet

Specifications



## Multi touch screen, Harmony iPC, S Panel PC Performance CF W15 DC WES

HMIPSPC752D1W01

---

ⓘ Discontinued

Disclaimer: This documentation is not intended as a substitute for and is not to be used for determining suitability or reliability of these products for specific user applications



## Environmental Data

Schneider Electric aims to achieve Net Zero status by 2050 through supply chain partnerships, lower impact materials, and circularity via our ongoing “Use Better, Use Longer, Use Again” campaign to extend product lifetimes and recyclability.

[Environmental Data explained >](#)

[How we assess product sustainability >](#)

### Use Longer



#### Lifetime extension

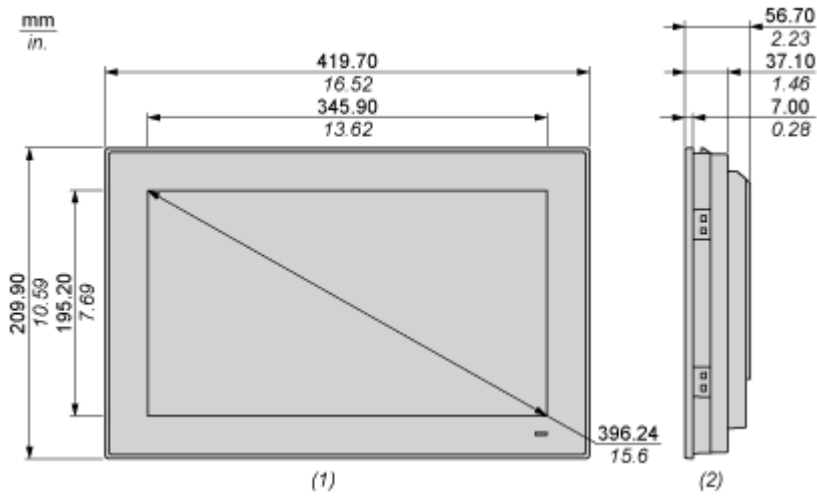
Repair

No

Dimensions Drawings

Dimensions

---



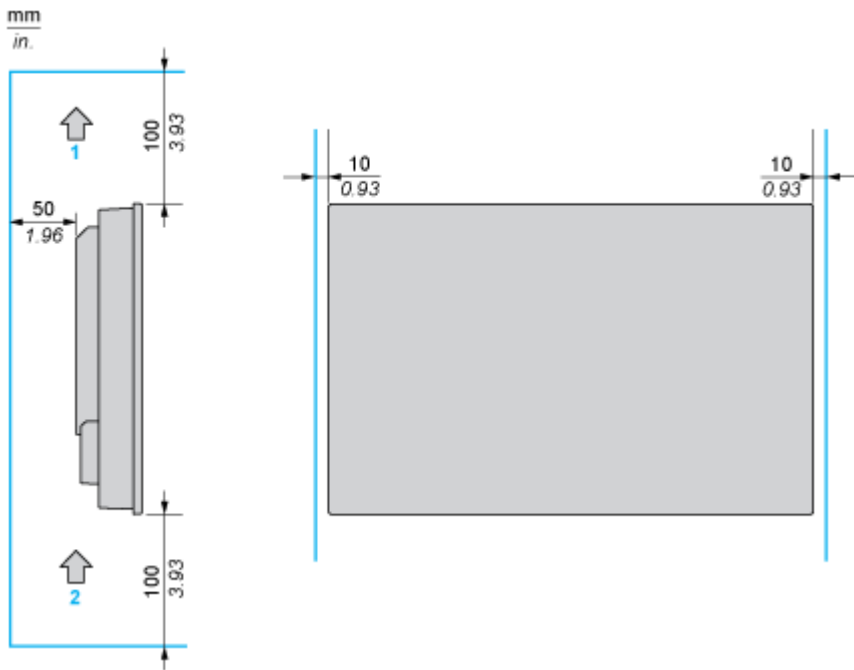
(1) Front view

(2) Side view

Mounting and Clearance

Spacing Requirements

---



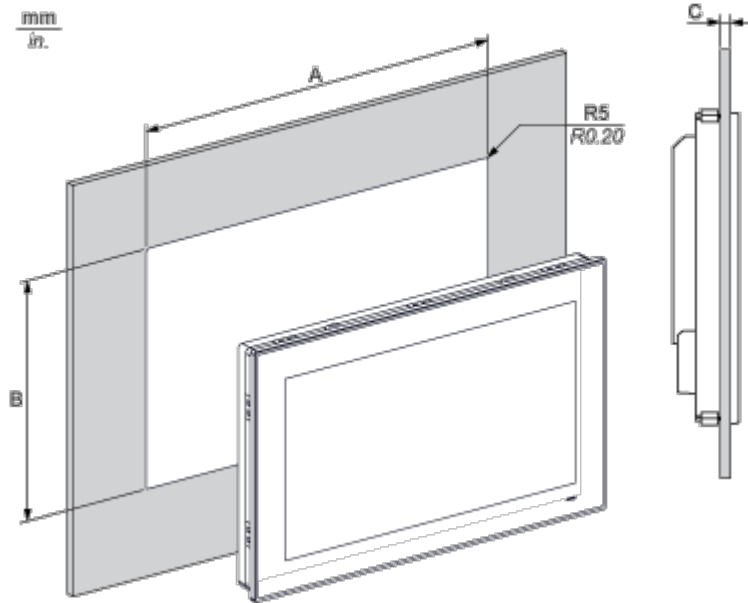
- (1) Air out
- (2) Air in

Mounting Orientation

---



Panel Cut Dimensions



A	B	C	R
412.4 ±0.7 mm (16.24 ±0.03 in)	261.7 ±0.4 mm (10.30 ±0.02 in)	2...6 mm (0.08...0.23 in)	5 mm (0.20 in)