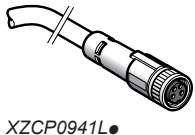
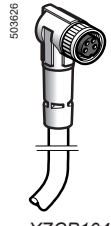
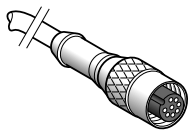
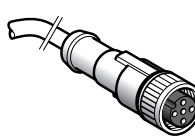
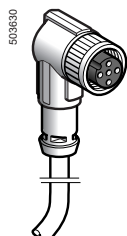


Accessories			
Accessories for coded magnetic switches	XCSDMC●●●2 XCSDMC●●●L	XCSDMP●●●2 XCSDMP●●●L	XCSDMR●●●2 XCSDMR●●●L
Fixing clamp	–	–	XSZB130
Weight (kg)	–	–	0.080
Additional coded magnet	XCSZC1	XCSZP1	XCSZR1
Weight (kg)	0.009	0.050	0.018
Non-magnetic shims	XCSZCC (lot of 2)	XCSZCP (lot of 2)	XCSZCR
Weight (kg)	0.008	0.012	0.002

Pre-wired female connectors for connector version switches			
Pre-wired connector characteristics			
Pre-wired connector type	XZCP0941L●, XZCP1041L●	XZCP29P11L●	XZCP1141L●, XZCP1241L●
Type of connection	Screw thread (metal clamping ring)	Screw thread (metal clamping ring)	Screw thread (metal clamping ring)
Number of contacts	4	8	4
Degree of protection	IP 67 (with clamping ring correctly tightened)		
Ambient air temperature	Static	-35...+90 °C	-35...+90 °C
	Dynamic	-5...+90 °C	-5...+90 °C
Cabling	Ø 5.2 mm cable, wire c.s.a.: 4 x 0.34 mm ²	Ø 5.2 mm cable, wire c.s.a.: 8 x 0.25 mm ²	Ø 5.2 mm cable, wire c.s.a.: 4 x 0.34 mm ²
LED signaling	–	–	–
Nominal voltage	60 V ~, 75 V ~	30 V ~, 36 V ~	250 V ~, 300 V ~
Nominal current	4 A	2 A	4 A
Insulation resistance	> 10 ⁹ Ω	> 10 ⁹ Ω	> 10 ⁹ Ω
Contact resistance	≤ 5 mΩ	≤ 5 mΩ	≤ 5 mΩ

References of pre-wired connectors (For connection to flying lead models)								
	Type of connector	Number of pins	For use with	Type	Cable length m	Reference	Weight kg	
 530327 XZCP0941L●	Female, M8	4	XCSDMC●9●	Straight	2	XZCP0941L2	0.080	
					5	XZCP0941L5	0.180	
					10	XZCP0941L10	0.360	
				 530326 XZCP1041L●	Elbowed	2	XZCP1041L2	0.080
						5	XZCP1041L5	0.180
						10	XZCP1041L10	0.360
 534640 XZCP29P11L●	Female, M12	8	XCSDMP●0●	Straight	2	XZCP29P11L2	0.100	
					5	XZCP29P11L5	0.290	
					10	XZCP29P11L10	0.470	
 563352 XZCP1141L●	Female, M12	4	XCSDMP●9●/ XCSDMR●9●	Straight	2	XZCP1141L2	0.090	
					5	XZCP1141L5	0.190	
					10	XZCP1141L10	0.370	
				 530330 XZCP1241L●	Elbowed	2	XZCP1241L2	0.090
						5	XZCP1241L5	0.190
						10	XZCP1241L10	0.370