



Miniature circuit breaker 400 V 10kA, 4-pole, C, 6A

| Model   |                                 |
|---|---------------------------------|
| product brand name  | SENTRON                         |
| product designation   | Miniature circuit breaker       |
| General technical data  |                                 |
| number of poles   | 4                               |
| design of pole  | 4P                              |
| tripping characteristic class   | C                               |
| mechanical service life (operating cycles) typical                                  | 10 000                          |
| overvoltage category  | 3                               |
| degree of pollution   | 3                               |
| Voltage   |                                 |
| type of voltage of the operating voltage  | AC                              |
| insulation voltage (U <sub>i</sub> )  |                                 |
| • with multi-phase operation at AC rated value                                      | 440 V                           |
| • operational current   |                                 |
| — at 40 °C rated value  | 5.51 A                          |
| — at 50 °C rated value  | 4.97 A                          |
| — at 55 °C rated value  | 4.69 A                          |
| • operational current at AC rated value   | 6 A                             |
| Supply voltage  |                                 |
| supply voltage  |                                 |
| • at AC   | 400 V                           |
| • at DC rated value   | 60 V                            |
| value range of the supply voltage frequency   | 50/60 Hz                        |
| operating voltage at DC rated value maximum   | 72 V                            |
| Protection class  |                                 |
| protection class IP   | IP20, with connected conductors |
| Breaking Capacity   |                                 |
| switching capacity current  |                                 |
| • according to EN 60898 rated value   | 10 kA                           |
| energy limitation class   | 3                               |
| Dissipation   |                                 |
| power loss [W] for rated value of the current at AC in hot operating state per pole | 1.2 W                           |
| suitability for operation   | Infrastructure / Industry       |
| Product details   |                                 |
| product feature touch protection  | Yes                             |
| product component   |                                 |

|   |     |
|---|-----|
| • combined terminal top   | Yes |
| • combined terminal bottom  | Yes |
| • neutral conductor switching   | No  |
| <b>product feature properties for main switches in accordance with EN 60204-1</b> | Yes |
| <b>product feature halogen-free</b>   | Yes |
| <b>product feature sealable</b>   | Yes |
| <b>product feature silicon-free</b>   | Yes |
| <b>product extension installable supplementary devices</b>                        | Yes |

#### Connections

|   |                      |
|---|----------------------|
| <b>connectable conductor cross-section solid</b>                                    |                      |
| • minimum   | 0.75 mm <sup>2</sup> |
| • maximum   | 35 mm <sup>2</sup>   |
| <b>connectable conductor cross-section stranded</b>                                 |                      |
| • minimum   | 0.75 mm <sup>2</sup> |
| • maximum   | 35 mm <sup>2</sup>   |
| <b>connectable conductor cross-section finely stranded with core end processing</b> |                      |
| • minimum   | 0.75 mm <sup>2</sup> |
| • maximum   | 25 mm <sup>2</sup>   |
| <b>tightening torque [lbf-in] with screw-type terminals</b>                         |                      |
| • minimum   | 22 lbf-in            |
| • maximum   | 31 lbf-in            |
| <b>tightening torque with screw-type terminals</b>                                  |                      |
| • minimum   | 2.5 N·m              |
| • maximum   | 3.5 N·m              |
| <b>position of power supply cord</b>  | Any                  |

#### Mechanical Design

|                                      |          |
|--------------------------------------|----------|
| <b>height</b>                        | 90 mm    |
| <b>width</b>                         | 72 mm    |
| <b>depth</b>                         | 76 mm    |
| <b>installation depth</b>            | 70 mm    |
| <b>number of modular width units</b> | 4        |
| <b>fastening method</b>              | DIN rail |
| <b>mounting position</b>             | any      |
| <b>Net Weight</b>                    | 640 g    |

#### Environmental conditions

|  |  |
|--|--|
| <b>influence of the surrounding temperature</b>                                    | max. 95% RH up to 55°C   |
| <b>standard</b>  | IEC / EN 60898-1   |
| <b>vibration resistance according to IEC 60068-2-6</b>                             | ±1mm at 5 to 25 Hz; 50 m/s <sup>2</sup> at 25 to 150 Hz and 60 m/s <sup>2</sup> at 35 Hz (4 sec) |
| <b>ambient temperature during operation</b>  |  |
| • minimum  | -25 °C   |
| • maximum  | 55 °C  |
| <b>ambient temperature during storage</b>  |  |
| • minimum  | -40 °C   |
| • maximum  | 75 °C  |
| <b>number of test cycles for environmental testing according to IEC 60068-2-30</b> | 28   |

#### Approvals Certificates

|                    |                                 |
|--------------------|---------------------------------|
| <b>Environment</b> | <b>General Product Approval</b> |
|--------------------|---------------------------------|

[Environmental Confirmations](#)



[Environmental Confirmations](#)

[Miscellaneous](#)



[Confirmation](#)

|                                 |                             |              |                |
|---------------------------------|-----------------------------|--------------|----------------|
| <b>General Product Approval</b> | <b>Maritime application</b> | <b>other</b> | <b>Railway</b> |
|---------------------------------|-----------------------------|--------------|----------------|



CCS (China Classification Society)



Confirmation

Confirmation

#### Further information

##### Information on the packaging

<https://support.industry.siemens.com/cs/ww/en/view/109813875>

##### Information for data generation and storage

<https://support.industry.siemens.com/cs/ww/en/view/109995012>

##### Information- and Downloadcenter (Catalogs, Brochures,...)

<https://www.siemens.com/lowvoltage/catalogs>

##### Industry Mall (Online ordering system)

<https://mall.industry.siemens.com/mall/en/en/Catalog/product?mlfb=5SY4406-7CC>

##### Service&Support (Manuals, Certificates, Characteristics, FAQs,...)

<https://support.industry.siemens.com/cs/ww/en/ps/5SY4406-7CC>

##### Image database (product images, 2D dimension drawings, 3D models, device circuit diagrams, ...)

[https://www.automation.siemens.com/bilddb/cax\\_en.aspx?mlfb=5SY4406-7CC](https://www.automation.siemens.com/bilddb/cax_en.aspx?mlfb=5SY4406-7CC)

##### CAX-Online-Generator

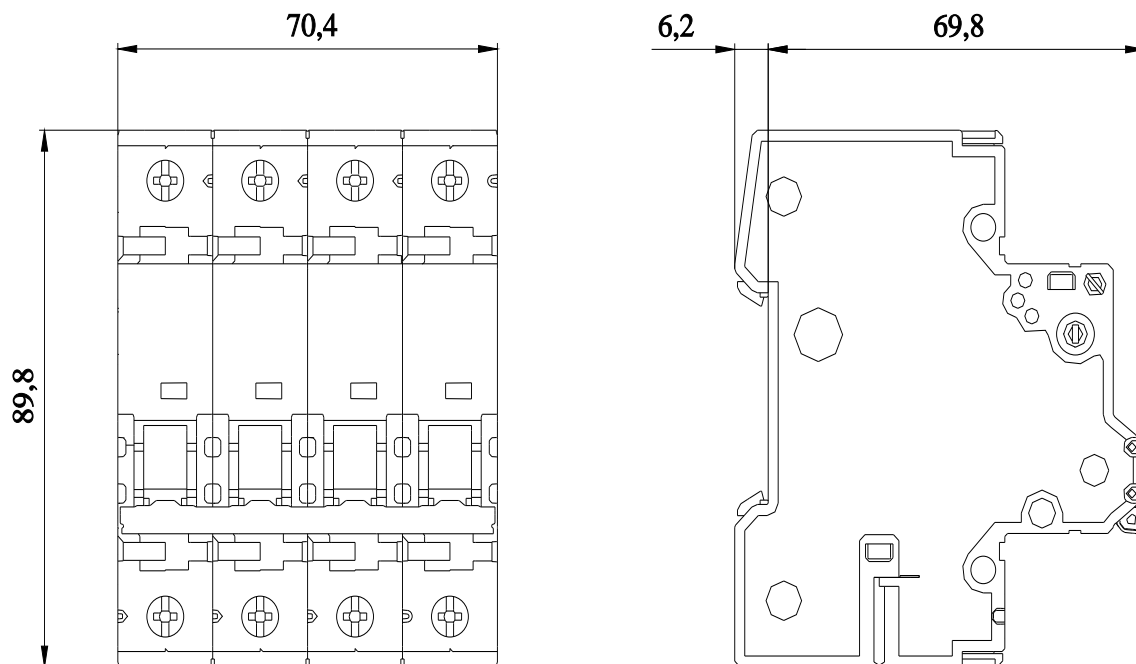
<https://www.siemens.com/cax>

##### Tender specifications

<https://www.siemens.com/specifications>

##### Characteristic curves

[https://curves.simaris.siemens.com/curves/<mmp\\_prod\\_noCOMP="HAUPT"></mmp\\_prod\\_no>](https://curves.simaris.siemens.com/curves/<mmp_prod_noCOMP=)





last modified:

8/6/2025 