

Article No. : 1FL2205-2AF11-0SB0



Client order no. :  
Order no. :  
Offer no. :  
Remarks :

Item no. :  
Consignment no. :  
Project :

### Basic motor data

Motor type	Permanent-magnet synchronous motor, Natural cooling
Motor type	Medium Inertia
Static torque	3.60 Nm
Static current	2.90 A
Maximum torque	11.50 Nm
Maximum current	9.50 A
Maximum speed	6,000 rpm
Rotor moment of inertia	3.1500 kgcm <sup>2</sup>
Weight	4.70 kg

### Rated data

SINAMICS S200, 3 AC 380 ... 480 V

Rated speed	3,000 rpm
Rated torque	3.00 Nm
Rated current	2.50 A
Rated power	0.94 kW

### Encoder system

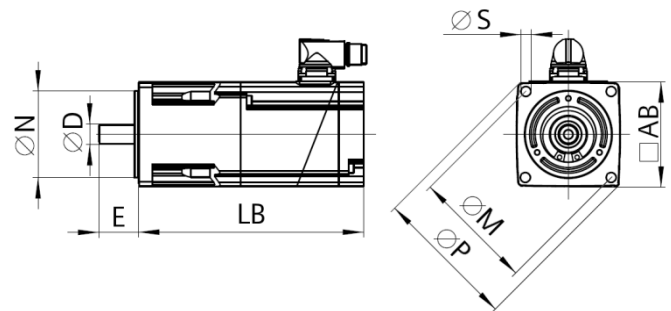
Encoder system Absolute encoder singleturn 21 bit

### Motor connection

Connection type Metal angular connector

### Mechanical data

Design acc. to Code I	IM B5 (IM V1, IM V3)
Vibration severity grade	Grade A
Shaft height	48
Flange size (AB)	95 mm
Centering ring (N)	80 mm
Hole circle (M)	100 mm
Screw-on hole (S)	6.6 mm
Overall length (LB)	178.9 mm
Diameter of shaft (D)	19 mm
Length of shaft (E)	40 mm
Length of flange diagonal (P)	120 mm
Shaft end	Plain shaft
Color of the housing	Anthracite RAL 7016



### Holding brake

Rated voltage	24 V DC 10 %
Rated current	0.57 A
Holding torque $M_{4Br}$	8.00 Nm
Opening time	90 ms
Closing time	25 ms