



Pneumatic Time-Relay block off-delay 10...180 s 1NO + 1NC for 3RT5 motor contactors size S2 - S3

product category	Pneumatic delay blocks		
product designation	Pneumatic valve block		
General technical data			
adjustable OFF-delay time	10 ... 180 s		
active principle	pneumatic		
Substance Prohibition (day/month/year)	05/01/2012		
Net Weight	74 g		
Switching Function			
switching function			
• ON-delay	No		
• OFF delay	Yes		
number of NC contacts delayed switching	1		
number of NO contacts delayed switching	1		
Short-circuit protection			
design of the fuse link for short-circuit protection of the auxiliary switch required	Fuse gG 10 A with short-circuit current I _k = 1 kA according to IEC 60947-5-1		
Connections/ Terminals			
type of electrical connection for auxiliary and control circuit	screw-type terminals		
Approvals Certificates			
Environment	General Product Approval	EMV	other

[Environmental Confirmations](#)



[Confirmation](#)

other



Further information

Information on the packaging
<https://support.industry.siemens.com/cs/ww/en/view/109813875>
 Information for data generation and storage
<https://support.industry.siemens.com/cs/ww/en/view/109995012>
 Information- and Downloadcenter (Catalogs, Brochures,...)
<https://www.siemens.com/ic10>
 Industry Mall (Online ordering system)

<https://mall.industry.siemens.com/mall/en/en/Catalog/product?mlfb=3RT5926-2PR11>

Cax online generator

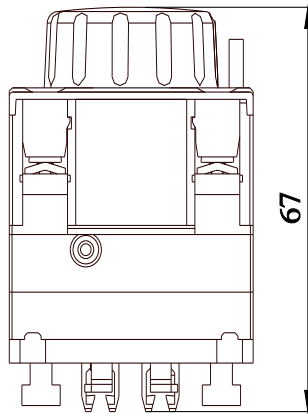
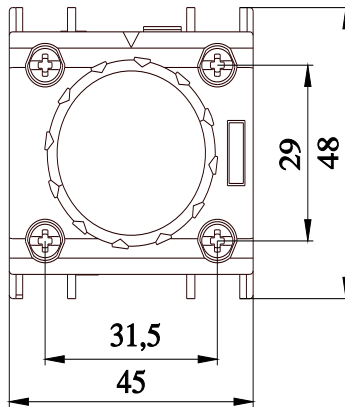
<https://support.automation.siemens.com/WW/CAXorder/default.aspx?lang=en&mlfb=3RT5926-2PR11>

Service&Support (Manuals, Certificates, Characteristics, FAQs,...)

<https://support.industry.siemens.com/cs/ww/en/ps/3RT5926-2PR11>

Image database (product images, 2D dimension drawings, 3D models, device circuit diagrams, EPLAN macros, ...)

https://www.automation.siemens.com/bilddb/cax_de.aspx?mlfb=3RT5926-2PR11&lang=en



last modified:

4/3/2025 