

# Product datasheet

Specifications



## passive filter - 190 A - 460 V - 60 Hz - for variable speed drive

VW3A46152

⚠ Discontinued on: 30 Jun 2023

⚠ Discontinued

### Main

Product or component type	Passive filter
Product specific application	Reduction of current harmonics

### Complementary

Range compatibility	Altivar Process ATV600 Altivar Process ATV900 Altivar 71 Altivar 61
[Us] rated supply voltage	480 V +/- 10 %
power supply frequency	60 Hz +/- 2 %
Quantity per drive	1 filter per drive for variable speed drive ATV61H motor: 110 kW/150 hp 1 filter per drive for variable speed drive ATV71H motor: 110 kW/150 hp 1 filter per drive for variable speed drive ATV61Q motor: 110 kW/150 hp 1 filter per drive for variable speed drive ATV71Q motor: 110 kW/150 hp 1 filter per drive for variable speed drive ATV630 wall mount, motor: 110 kW/150 hp 1 filter per drive for variable speed drive ATV930 wall mount, motor: 110 kW/150 hp
[In] rated current	183 A for input 190 A for output
Network number of phases	3 phases
THDI	10 % for variable speed drive ATV61H motor: 110 kW/150 hp 10 % for variable speed drive ATV71H motor: 110 kW/150 hp 10 % for variable speed drive ATV61Q motor: 110 kW/150 hp 10 % for variable speed drive ATV71Q motor: 110 kW/150 hp 10 % for variable speed drive ATV630 motor: 110 kW/150 hp 10 % for variable speed drive ATV930 motor: 110 kW/150 hp
Max current	1.5 x nominal current (duration = 60 s)
Efficiency	98 %
Thermal losses	743 W
Cos phi	1 (150 % of line current) 0.85 (75 % of line current) 0.99 (100 % of line current)
Electrical connection	A, B terminal, connection capacity: 2.5 mm <sup>2</sup> X1-1...X2-3 terminal, connection capacity: 2.5...90 mm <sup>2</sup>
Electrical insulation class	Class F
Product weight	102 kg

### Environment

IP degree of protection	IP20 IP55 (enclosure mounting)
-------------------------	-----------------------------------

Excluding VAT, FCA Jabal Ali & amp; are subject to change – check with your local distributor.

<b>Vibration resistance</b>	2 mm peak to peak (f= 5...13.2 Hz) conforming to IEC 60068-2-6 0.7 gn (f= 13.2...150 Hz) conforming to IEC 60068-2-6
<b>Relative humidity</b>	5...85 % without condensation
<b>Ambient air temperature for operation</b>	45...60 °C (with current derating 3 % per °C) 5...45 °C (without current derating)
<b>Ambient air temperature for storage</b>	-25...55 °C storage in original packaging -25...65 °C during transport
<b>Operating altitude</b>	<= 1000 m without current derating > 1000...4000 m with current derating 5 % per 1000 m
<b>Standards</b>	IEC 61000-3-4 IEC 61000-2-2 G5/4 engineering recommendation IEC 61000-3-12 IEC 61000-2-4 IEC 61000-3-2

## Packing Units

<b>Unit Type of Package 1</b>	PCE
<b>Number of Units in Package 1</b>	1
<b>Package 1 Height</b>	61.000 cm
<b>Package 1 Width</b>	60.000 cm
<b>Package 1 Length</b>	80.000 cm
<b>Package 1 Weight</b>	114.2 kg

## Contractual warranty

<b>Warranty (in months)</b>	18
-----------------------------	----



## Environmental Data

Schneider Electric aims to achieve Net Zero status by 2050 through supply chain partnerships, lower impact materials, and circularity via our ongoing “Use Better, Use Longer, Use Again” campaign to extend product lifetimes and recyclability.

[Environmental Data explained >](#)

[How we assess product sustainability >](#)

### Use Better



#### Materials and Substances

EU RoHS Directive

[Compliant](#)

### Use Longer



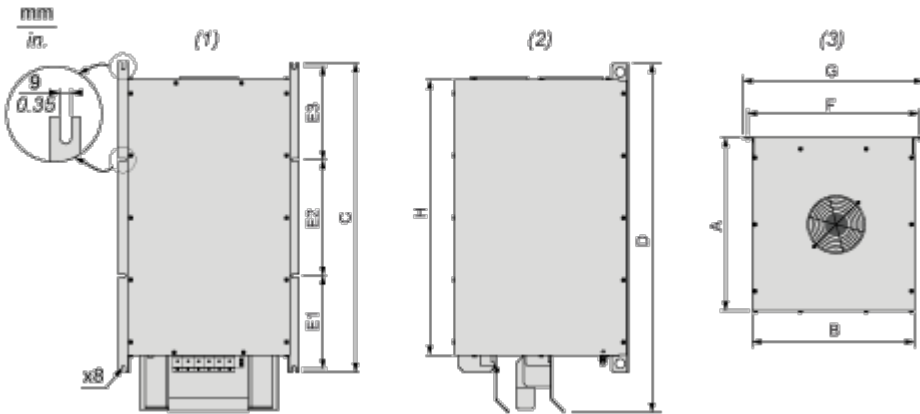
#### Lifetime extension

Repair

No

Dimensions Drawings

Dimensions



- (1) Front view
- (2) Right side view
- (3) Top view

Dimensions in mm

A	B	C	D	E1	E2	E3	F	G	H
400	370	685	767.6	212	240	212	393	418	598

Dimensions in in.

A	B	C	D	E1	E2	E3	F	G	H
15.75	14.57	26.97	30.22	8.35	9.45	8.35	15.47	16.46	23.54

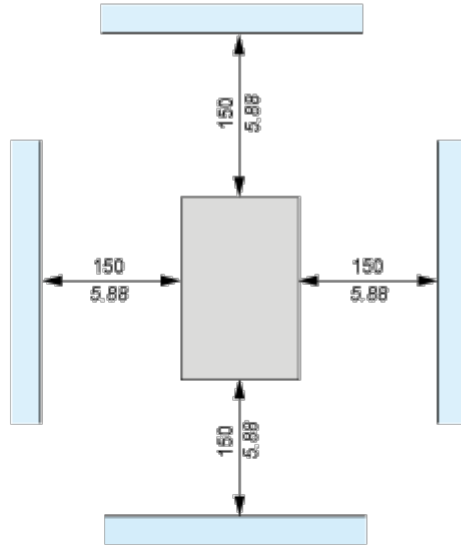
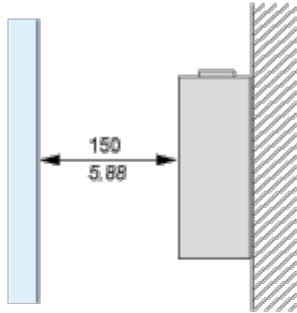
Mounting and Clearance

Mounting Recommendations

---

Vertical Mounting Only

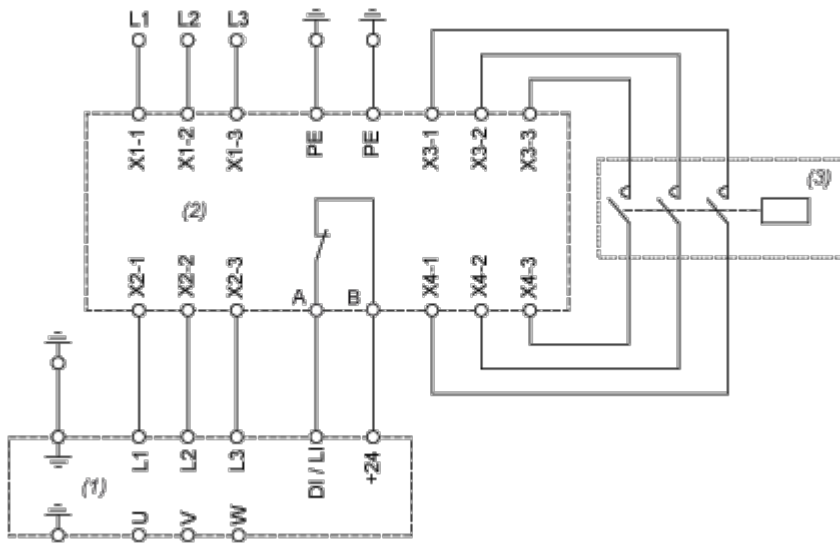
mm  
in.



(1) Filter

Connections and Schema

Recommended Schema



- (1) Drive
- (2) Filter
- (3) Optional