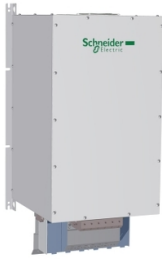


Product datasheet

Specifications



passive filter, Altivar, 225A, 400V, 50Hz, for variable speed drive

VW3A46133

Main

Product or component type	Passive filter
Product specific application	Reduction of current harmonics

Complementary

Range compatibility	Altivar 61 Altivar Process ATV600 Altivar Process ATV900 Altivar 71
[Us] rated supply voltage	400 V +/- 10 %
power supply frequency	50 Hz +/- 2 %
Quantity per drive	1 filter per drive for variable speed drive ATV650 wall mount, motor: 90 kW/125 hp 1 filter per drive for variable speed drive ATV630 wall mount, motor: 90 kW/125 hp 1 filter per drive for variable speed drive ATV950 wall mount, motor: 90 kW/125 hp 1 filter per drive for variable speed drive ATV930 wall mount, motor: 90 kW/125 hp 1 filter per drive for variable speed drive ATV61H motor: 132 kW/200 hp 1 filter per drive for variable speed drive ATV71H motor: 132 kW/200 hp 1 filter per drive for variable speed drive ATV61Q motor: 132 kW/200 hp 1 filter per drive for variable speed drive ATV71Q motor: 132 kW/200 hp
[In] rated current	217 A for input 225 A for output
Network number of phases	3 phases
THDI	5 % for variable speed drive ATV650 motor: 90 kW/125 hp 5 % for variable speed drive ATV630 motor: 90 kW/125 hp 5 % for variable speed drive ATV61H motor: 132 kW/200 hp 5 % for variable speed drive ATV71H motor: 132 kW/200 hp 5 % for variable speed drive ATV61Q motor: 132 kW/200 hp 5 % for variable speed drive ATV71Q motor: 132 kW/200 hp 5 % for variable speed drive ATV950 motor: 90 kW/125 hp 5 % for variable speed drive ATV930 motor: 90 kW/125 hp
Max current	1.5 x nominal current (duration = 60 s)
Efficiency	98 %
Thermal losses	1194 W
Cos phi	1 (150 % of line current) 0.85 (75 % of line current) 0.99 (100 % of line current)
Electrical connection	A, B terminal, connection capacity: 2.5 mm ² X1-1...X2-3 terminal, connection capacity: 25...300 mm ²
Electrical insulation class	Class F
Net weight	172 kg

Environment

IP degree of protection	IP20 IP55 (enclosure mounting)
-------------------------	-----------------------------------

Disclaimer: This documentation is not intended as a substitute for and is not to be used for determining suitability or reliability of these products for specific user applications

Vibration resistance	2 mm peak to peak (f= 5...13.2 Hz) conforming to IEC 60068-2-6 0.7 gn (f= 13.2...150 Hz) conforming to IEC 60068-2-6
Relative humidity	5...85 % without condensation
Ambient air temperature for operation	45...60 °C (with current derating 3 % per °C) 5...45 °C (without current derating)
Ambient air temperature for storage	-25...55 °C storage in original packaging -25...65 °C during transport
Operating altitude	<= 1000 m without current derating > 1000...4000 m with current derating 5 % per 1000 m
Standards	IEC 61000-3-12 IEC 61000-2-4 IEC 61000-3-4 IEC 61000-3-2 IEC 61000-2-2 G5/4 engineering recommendation

Packing Units

Unit Type of Package 1	PCE
Number of Units in Package 1	1
Package 1 Height	71.000 cm
Package 1 Width	80.000 cm
Package 1 Length	120.000 cm
Package 1 Weight	196.6 kg

Contractual warranty

Warranty (in months)	18
-----------------------------	----



Environmental Data

Schneider Electric aims to achieve Net Zero status by 2050 through supply chain partnerships, lower impact materials, and circularity via our ongoing “Use Better, Use Longer, Use Again” campaign to extend product lifetimes and recyclability.

[Environmental Data explained >](#)

[How we assess product sustainability >](#)

Use Better



Materials and Substances

Packaging made with recycled cardboard	No
Packaging without single use plastic	No
EU RoHS Directive	Compliant

Use Longer



Lifetime extension

Repair	No
--------	----

Use Again

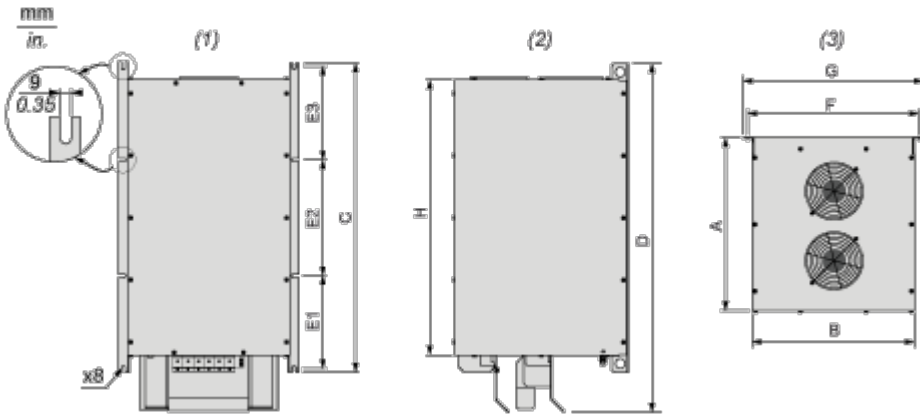


Repack and remanufacture

Take-back	Yes
-----------	-----

Dimensions Drawings

Dimensions



- (1) Front view
- (2) Right side view
- (3) Top view

Dimensions in mm

A	B	C	D	E1	E2	E3	F	G	H
448.5	420	800	900.06	240	300	240	443	468	713

Dimensions in in.

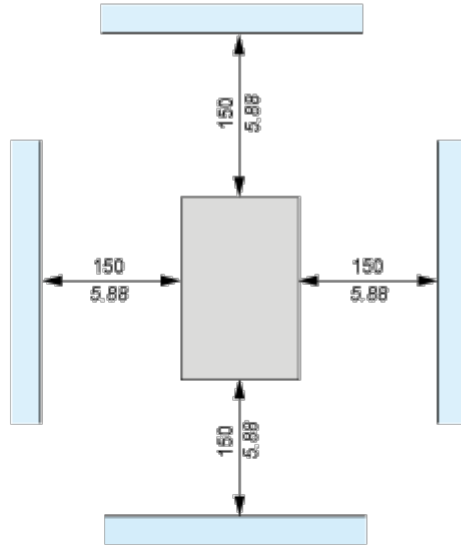
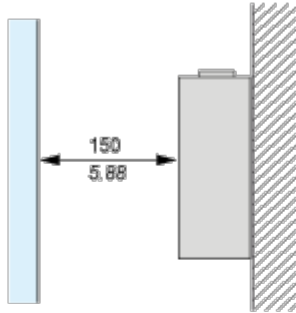
A	B	C	D	E1	E2	E3	F	G	H
17.66	16.54	31.50	35.43	9.45	11.81	9.45	17.44	18.43	28.07

Mounting and Clearance

Mounting Recommendations

Vertical Mounting Only

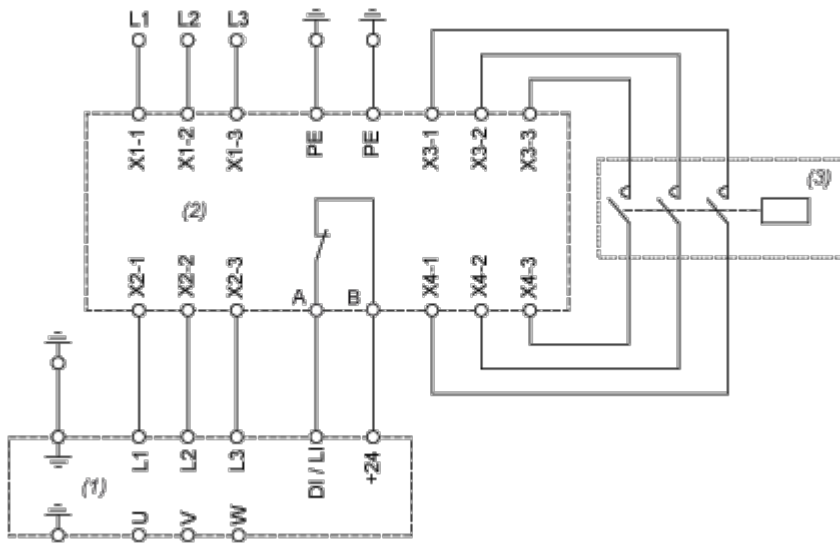
mm
in.



(1) Filter

Connections and Schema

Recommended Schema



- (1) Drive
- (2) Filter
- (3) Optional