



plug-in relay complete unit, 2 changeover contacts, 24 V DC, LED module red, base with logical isolation, screw terminal, 3.5 mm pinning

product brand name	SIRIUS
product designation	Coupling relay with plug-in relay
product type designation	LZS
<b>General technical data</b>	
display version LED	Yes
consumed active power	0.4 W
percental drop-out voltage related to the input voltage	10 %
operating frequency without load	36 000 1/h
operating frequency with load	360 1/h
switching behavior	monostable
mechanical service life (operating cycles) typical	30 000 000
electrical endurance (operating cycles) at AC-15 at 230 V typical	100 000
thermal current	8 A
reference code according to IEC 81346-2	K
Substance Prohibitance (Date)	05/01/2012
Net Weight	0.061 kg
<b>Control circuit/ Control</b>	
control supply voltage at DC rated value	24 V
operating range factor control supply voltage rated value at DC	
• initial value	0.9
• full-scale value	1.4
closing delay	
• at DC maximum	8 ms
opening delay	
• at DC maximum	6 ms
<b>Switching Function</b>	
design of the switching function	changeover switch
<b>Mechanical data</b>	
product component plug-in socket	Yes
design of the snap-on socket base	Socket with logic isolation
design of the relay operating mechanism	poled
<b>Short-circuit protection</b>	
design of the fuse link for short-circuit protection of the auxiliary switch required	fuse gG: 10 A
<b>Auxiliary circuit</b>	
type of switching contact	Changeover contact
material of switching contacts	AgNi 90/10
number of NC contacts for auxiliary contacts	0

<b>number of NO contacts for auxiliary contacts</b>	0	
number of CO contacts for auxiliary contacts	2	
<b>operational current of auxiliary contacts at DC-13</b>		
• at 24 V	2 A	
<b>Main circuit</b>		
<b>type of voltage</b>	DC	
<b>Display</b>		
display version as status display by LED	LED red	
<b>Connections/ Terminals</b>		
<b>product function removable terminal</b>	No	
<b>type of electrical connection</b>	screw terminal	
<b>type of connectable conductor cross-sections</b>		
• solid	1x (1,0 ... 2,5), 2x 1,0, 2x 1,5, 2x 2,5	
• finely stranded with core end processing	1x (1.0 ... 1.5), 2x 1.0, 2x 1.5	
• for AWG cables solid	1x (18 ... 14), 2x 18, 2x 16, 2x 14	
<b>connectable conductor cross-section</b>		
• solid	1 ... 2.5 mm <sup>2</sup>	
• finely stranded with core end processing	1 ... 1.5 mm <sup>2</sup>	
<b>AWG number as coded connectable conductor cross section</b>		
• solid	18 ... 14	
tightening torque with screw-type terminals	0.5 ... 0.7 N·m	
<b>Installation/ mounting/ dimensions</b>		
<b>mounting position</b>	any	
<b>fastening method</b>	snap-on mounting	
<b>height</b>	77 mm	
<b>width</b>	15.5 mm	
<b>depth</b>	71 mm	
<b>required spacing</b>		
• with side-by-side mounting		
— forwards	0 mm	
— backwards	0 mm	
— upwards	0 mm	
— downwards	0 mm	
— at the side	0 mm	
• for grounded parts		
— forwards	0 mm	
— backwards	0 mm	
— upwards	0 mm	
— at the side	0 mm	
— downwards	0 mm	
• for live parts		
— forwards	0 mm	
— backwards	0 mm	
— upwards	0 mm	
— downwards	0 mm	
— at the side	0 mm	
<b>Ambient conditions</b>		
<b>ambient temperature</b>		
• during operation	-40 ... +70 °C	
• during storage	-20 ... +70 °C	
• during transport	-20 ... +70 °C	
<b>Approvals Certificates</b>		
<b>Environment</b>	<b>General Product Approval</b>	<b>Test Certificates</b>

[Environmental Con-  
firmations](#)



[Type Test Certific-  
ates/Test Report](#)

[Confirmation](#)

[Confirmation](#)



Further information

Information on the packaging

<https://support.industry.siemens.com/cs/ww/en/view/109813875>

Information for data generation and storage

<https://support.industry.siemens.com/cs/ww/en/view/109995012>

Information- and Downloadcenter (Catalogs, Brochures,...)

<https://www.siemens.com/ic10>

Industry Mall (Online ordering system)

<https://mall.industry.siemens.com/mall/en/en/Catalog/product?mlfb=LZS:RT4B4L24>

Cax online generator

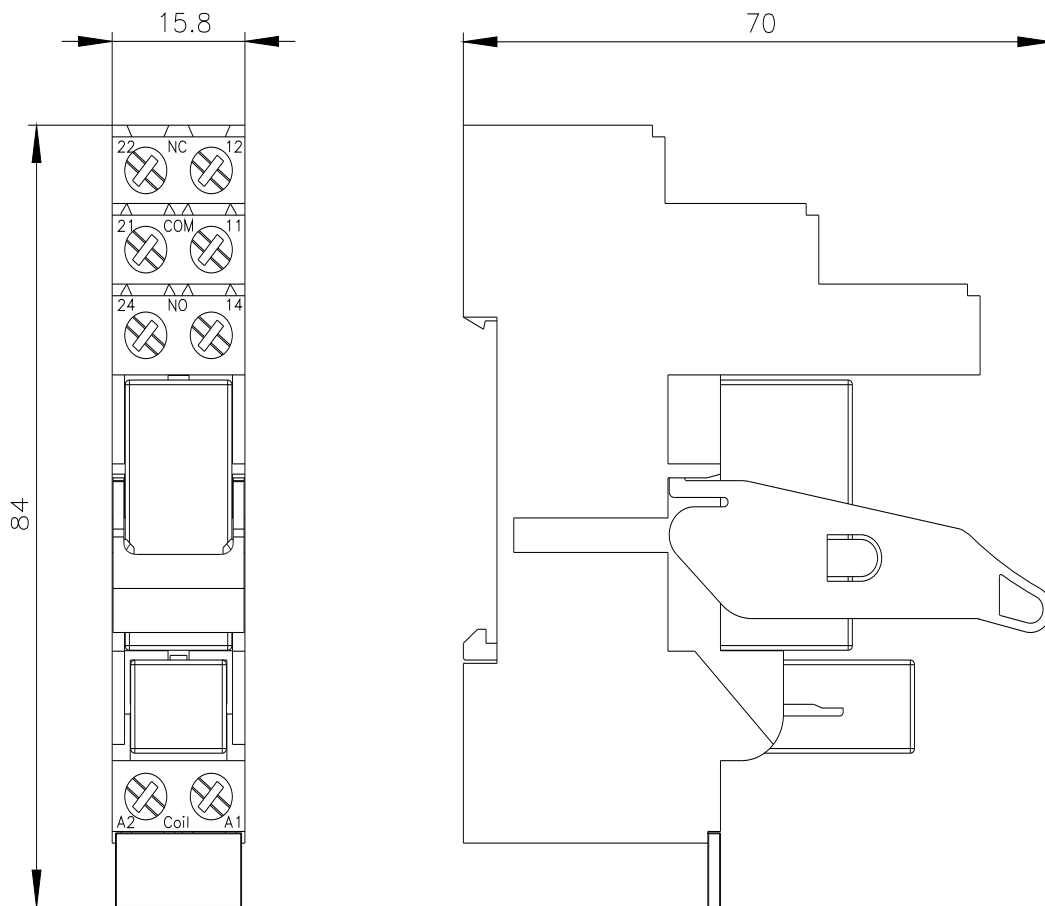
<https://support.automation.siemens.com/WW/CAXorder/default.aspx?lang=en&mlfb=LZS:RT4B4L24>

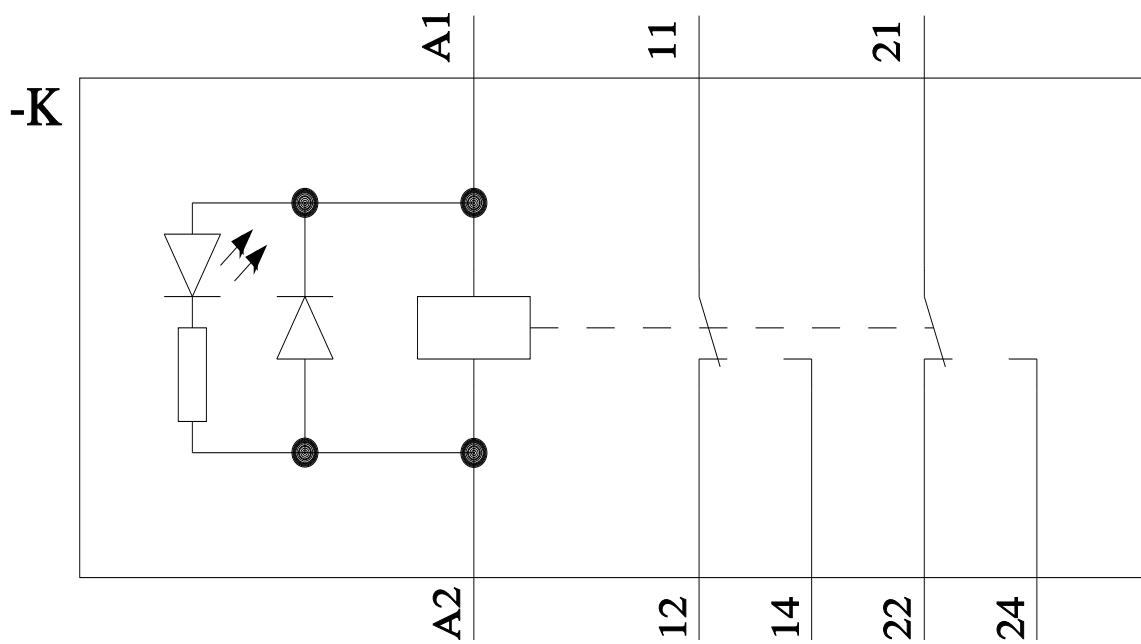
Service&Support (Manuals, Certificates, Characteristics, FAQs,...)

<https://support.industry.siemens.com/cs/ww/en/ps/LZS:RT4B4L24>

Image database (product images, 2D dimension drawings, 3D models, device circuit diagrams, EPLAN macros, ...)

[https://www.automation.siemens.com/bilddb/cax\\_de.aspx?mlfb=LZS:RT4B4L24&lang=en](https://www.automation.siemens.com/bilddb/cax_de.aspx?mlfb=LZS:RT4B4L24&lang=en)





last modified:

4/2/2025 