

Contactor assembly for star-delta (wye-delta) start AC-3,11 kW/400 V, 230 V AC 50/60 Hz, 3-pole, size S0 screw terminals electrical and mechanical interlock 3 NO + 3 NC integrated



| | |
|--|---|
| product brand name | SIRIUS |
| product designation | Contactor assembly for star-delta (wye-delta) start |
| product type designation | 3RA24 |
| manufacturer's article number | |
| <ul style="list-style-type: none"> • 1 of the supplied contactor • 2 of the supplied contactor • 3 of the supplied contactor • of the supplied RS assembly kit • of the supplied function module for wye-delta circuits | 3RT2024-1AL20 3RT2024-1AL20 3RT2024-1AL20 3RA2923-2BB1 3RA2816-0EW20 |
| General technical data | |
| size of contactor | S0 |
| product extension auxiliary switch | No |
| shock resistance at rectangular impulse | |
| <ul style="list-style-type: none"> • at AC • at DC | 7,5 g / 5 ms, 4,7 g / 10 ms 10g / 5 ms, 7,5g / 10 ms |
| shock resistance with sine pulse | |
| <ul style="list-style-type: none"> • at AC • at DC | 11,8 g / 5 ms, 7,4 g / 10 ms 15 g / 5 ms, 10 g / 10 ms |
| mechanical service life (operating cycles) | |
| <ul style="list-style-type: none"> • of contactor typical • of the contactor with added auxiliary switch block typical | 10 000 000 10 000 000 |
| reference code according to IEC 81346-2 | Q |
| Substance Prohibition (day/month/year) | 10/01/2009 |
| SVHC substance name | Lead CAS-No. 7439-92-1 Lead monoxide (lead oxide) CAS-No. 1317-36-8 2-methyl-1-(4-methylthiophenyl)-2-morpholinopropan-1-one CAS-No. 71868-10-5 Melamine CAS-No. 108-78-1 6,6'-di-tert-butyl-2,2'-methylenedi-p-cresol CAS-No. 119-47-1 |
| Net Weight | 1.9 kg |
| Ambient conditions | |
| installation altitude at height above sea level maximum | 2 000 m |
| ambient temperature | |
| <ul style="list-style-type: none"> • during operation • during storage | -25 ... +60 °C -55 ... +80 °C |
| Main circuit | |
| number of poles for main current circuit | 3 |
| number of NO contacts for main contacts | 3 |
| number of NC contacts for main contacts | 0 |
| operating voltage | |

| | |
|---|--|
| <ul style="list-style-type: none"> at AC-3 rated value maximum | 690 V |
| operational current | |
| <ul style="list-style-type: none"> at AC-3 <ul style="list-style-type: none"> at 400 V rated value | 25 A |
| operating power | |
| <ul style="list-style-type: none"> at AC-3 <ul style="list-style-type: none"> at 400 V rated value at 500 V rated value at 690 V rated value | 11 kW 15.6 kW 19 kW |
| operating frequency | |
| <ul style="list-style-type: none"> at AC-3 maximum | 1 000 1/h |
| Control circuit/ Control | |
| type of voltage of the control supply voltage | AC |
| control supply voltage 1 at AC | |
| <ul style="list-style-type: none"> at 50 Hz rated value at 60 Hz rated value | 230 V 230 V |
| operating range factor control supply voltage rated value of magnet coil at AC | |
| <ul style="list-style-type: none"> at 50 Hz at 60 Hz | 0.8 ... 1.1 0.8 ... 1.1 |
| apparent pick-up power of magnet coil at AC | |
| <ul style="list-style-type: none"> at 50 Hz at 60 Hz | 138 VA 136 VA |
| inductive power factor with closing power of the coil | |
| <ul style="list-style-type: none"> at 50 Hz at 60 Hz | 0.72 0.74 |
| apparent holding power of magnet coil at AC | |
| <ul style="list-style-type: none"> at 50 Hz at 60 Hz | 18.8 VA 15 VA |
| inductive power factor with the holding power of the coil | |
| <ul style="list-style-type: none"> at 50 Hz at 60 Hz | 0.25 0.28 |
| Auxiliary circuit | |
| number of NC contacts for auxiliary contacts | |
| <ul style="list-style-type: none"> instantaneous contact | 3 |
| number of NO contacts for auxiliary contacts | |
| <ul style="list-style-type: none"> instantaneous contact | 3 |
| contact reliability of auxiliary contacts | < 1 error per 100 million operating cycles |
| UL/CSA ratings | |
| contact rating of auxiliary contacts according to UL | A600 / Q600 |
| Short-circuit protection | |
| design of the fuse link | |
| <ul style="list-style-type: none"> for short-circuit protection of the main circuit <ul style="list-style-type: none"> with type of coordination 1 required with type of coordination 2 required for short-circuit protection of the auxiliary switch required | gG NH 3NA, DIAZED 5SB, NEOZED 5SE: 63 A gG NH 3NA, DIAZED 5SB, NEOZED 5SE: 25 A fuse gG: 10 A |
| Installation/ mounting/ dimensions | |
| mounting position | +/-180° rotation possible on vertical mounting surface; can be tilted forward and backward by +/- 22.5° on vertical mounting surface |
| fastening method | screw and snap-on mounting onto 35 mm DIN rail |
| height | 101 mm |
| width | 135 mm |
| depth | 171 mm |
| required spacing | |
| <ul style="list-style-type: none"> with side-by-side mounting <ul style="list-style-type: none"> forwards backwards upwards downwards | 6 mm 0 mm 6 mm 6 mm |

| | |
|----------------------|------|
| — at the side | 6 mm |
| • for grounded parts | |
| — forwards | 6 mm |
| — backwards | 0 mm |
| — upwards | 6 mm |
| — at the side | 6 mm |
| — downwards | 6 mm |
| • for live parts | |
| — forwards | 6 mm |
| — backwards | 0 mm |
| — upwards | 6 mm |
| — downwards | 6 mm |
| — at the side | 6 mm |

Connections/ Terminals

| | |
|---|---|
| type of electrical connection | |
| • for main current circuit | screw-type terminals |
| • for auxiliary and control circuit | screw-type terminals |
| • at contactor for auxiliary contacts | Screw-type terminals |
| • of magnet coil | Screw-type terminals |
| type of connectable conductor cross-sections for main contacts | |
| • solid | 2x (1 ... 2.5 mm ²), 2x (2.5 ... 10 mm ²) |
| • solid or stranded | 2x (1 ... 2.5 mm ²), 2x (2.5 ... 10 mm ²) |
| • finely stranded with core end processing | 2x (1 ... 2.5 mm ²), 2x (2.5 ... 6 mm ²), 1x 10 mm ² |
| type of connectable conductor cross-sections | |
| • for auxiliary contacts | |
| — solid or stranded | 2x (0.5 ... 1.5 mm ²), 2x (0.75 ... 2.5 mm ²) |
| — finely stranded with core end processing | 2x (0.5 ... 1.5 mm ²), 2x (0.75 ... 2.5 mm ²) |
| • for AWG cables for auxiliary contacts | 2x (20 ... 16), 2x (18 ... 14) |




Safety related data

| | |
|--|--|
| product function suitable for safety function | Yes |
| Electrical Safety | |
| protection class IP on the front according to IEC 60529 | IP20 |
| touch protection on the front according to IEC 60529 | finger-safe, for vertical contact from the front |







Communication/ Protocol

| | |
|---|----|
| product function bus communication | No |
| protocol is supported AS-Interface protocol | No |
| product function control circuit interface with IO link | No |

Approvals Certificates

| Environment | General Product Approval | | | Test Certificates | Maritime application |
|---|---|---|---|--|---|
| Environmental Confirmations |  |  |  | Special Test Certificate |  |

Maritime application

| | | | | | |
|---|---|---|---|---|---|
|  |  |  |  |  |  |
|---|---|---|---|---|---|

other

| other | Railway | |
|------------------------------|------------------------------|---|
| Confirmation | Confirmation |  |
| | | Special Test Certificate |

Further information

Information on the packaging

<https://support.industry.siemens.com/cs/ww/en/view/109813875>

Information for data generation and storage

<https://support.industry.siemens.com/cs/ww/en/view/109995012>

Information- and Downloadcenter (Catalogs, Brochures,...)

<https://www.siemens.com/ic10>

Industry Mall (Online ordering system)

<https://mall.industry.siemens.com/mall/en/en/Catalog/product?mlfb=3RA2423-8XF32-1AL2>

Service&Support (Manuals, Certificates, Characteristics, FAQs,...)

<https://support.industry.siemens.com/cs/ww/en/ps/3RA2423-8XF32-1AL2>

Image database (product images, 2D dimension drawings, 3D models, device circuit diagrams, EPLAN macros, ...)

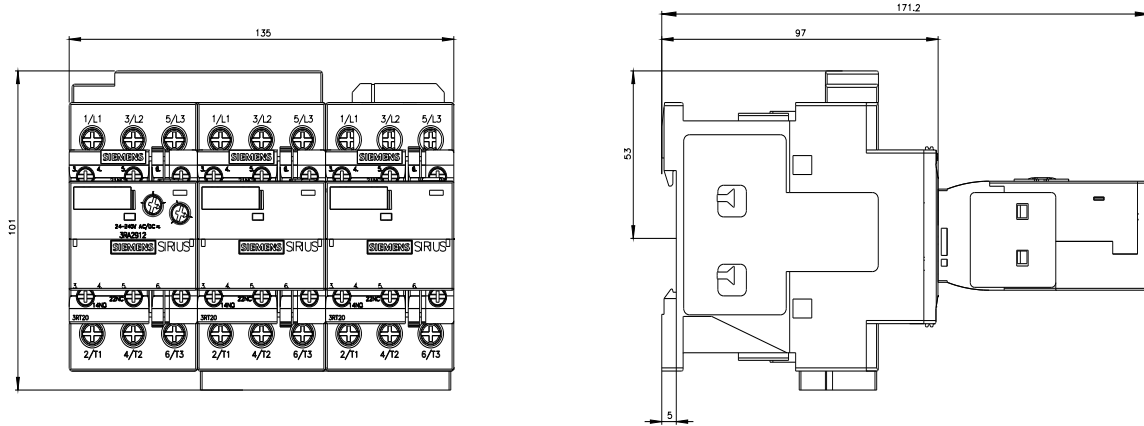
https://www.automation.siemens.com/bilddb/cax_de.aspx?mlfb=3RA2423-8XF32-1AL2&lang=en

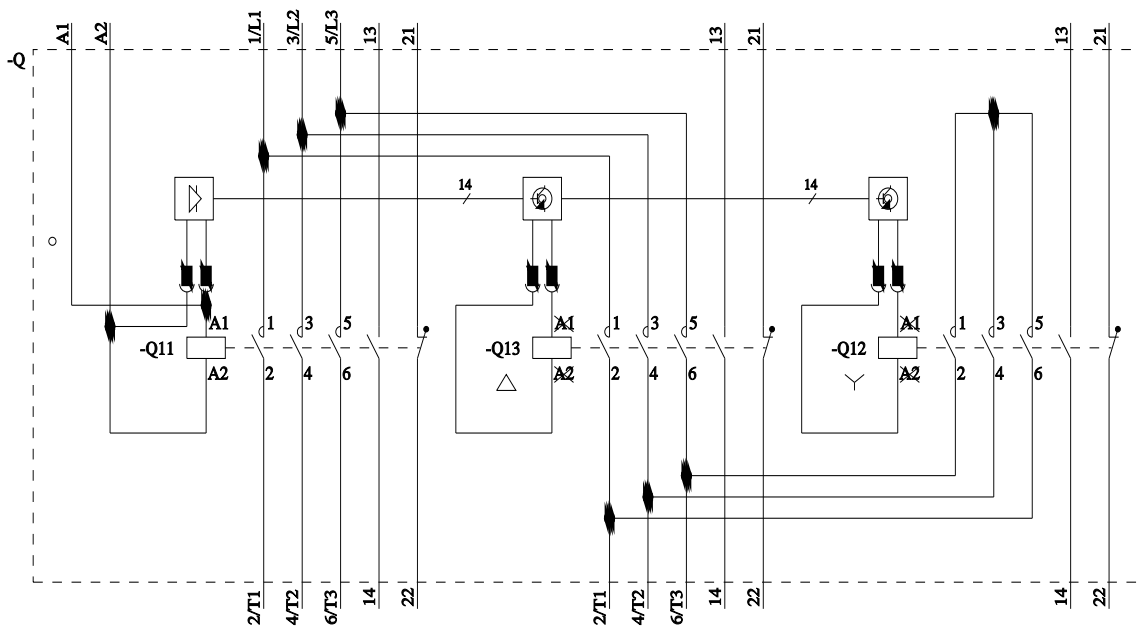
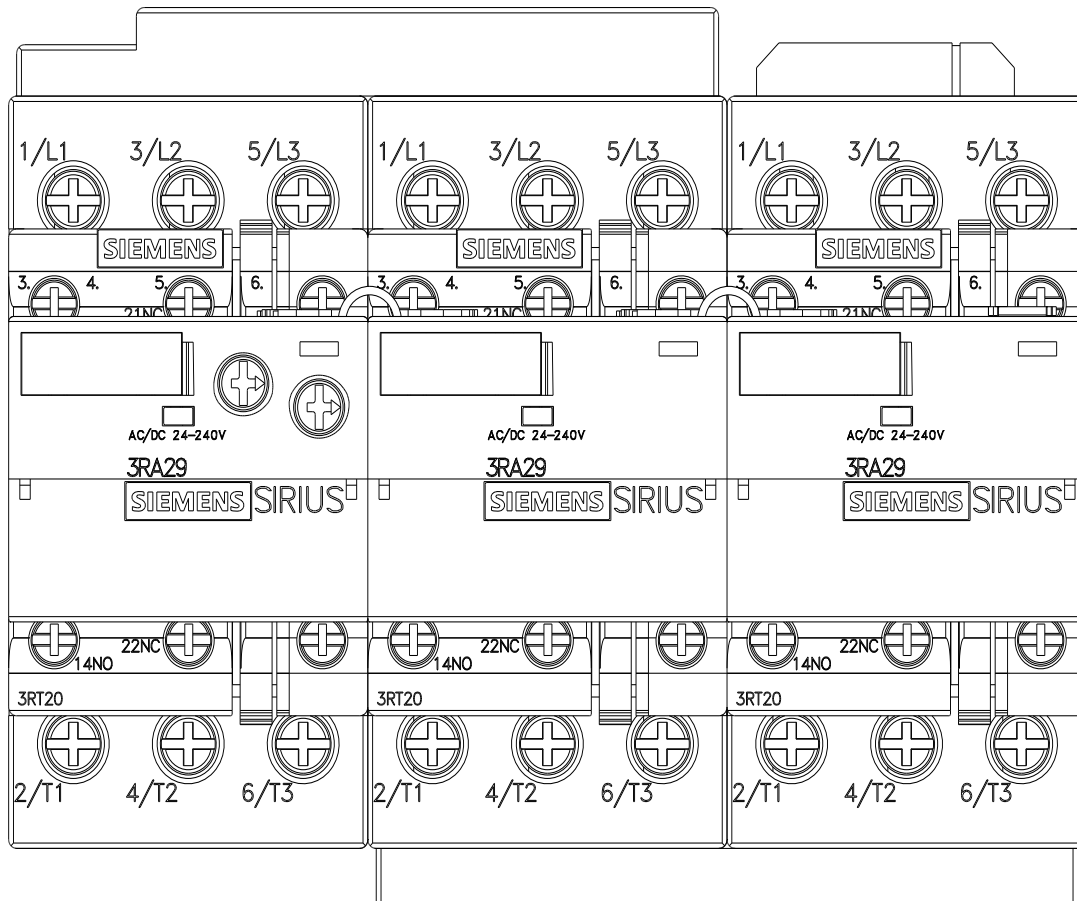
Cax online generator

<https://support.automation.siemens.com/WW/CAXorder/default.aspx?lang=en&mlfb=3RA2423-8XF32-1AL2>

Characteristic curves

[https://curves.simaris.siemens.com/curves/<mmp_prod_noCOMP="HAUPT"></mmp_prod_no>](https://curves.simaris.siemens.com/curves/<mmp_prod_noCOMP=)





last modified:

4/4/2026