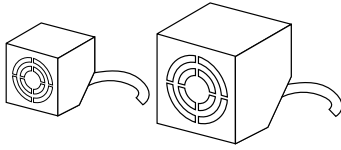


Proximity Sensors

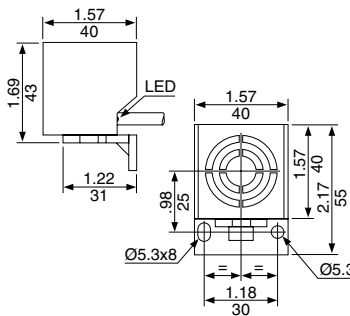
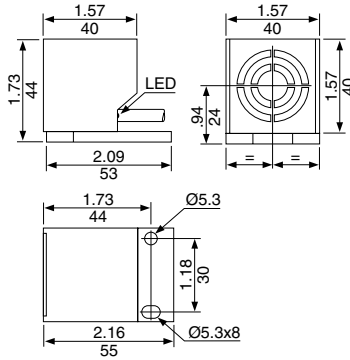
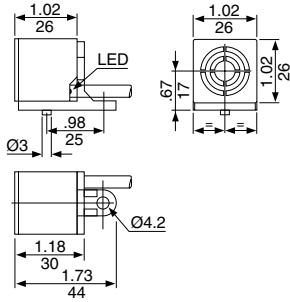
XS Inductive Sensors

Cubic Block Style, 26 x 26 mm and 40 x 40 mm Square, DC



Features

- Compact cubed body style in rugged PBT plastic
- Flush and Non-flush mountable
- Comparable sensing distance to Limit Switch style in half the body size
- Mounting bracket included with each sensor
- Elbow bracket provides interchangeability with Limit Switch style sensor, and enables multiple positioning of sensing face
- Molded cable or molded cable with Micro connector pigtail at 0.8 m or 0.15 m length



Description	Nominal Sensing Distance	Circuit Type	Output Mode	Voltage Range	Voltage Drop Max.	Load Current Max.	Operating Frequency Max.	Catalog Number
-------------	--------------------------	--------------	-------------	---------------	-------------------	-------------------	--------------------------	----------------

26 mm x 26 mm

DC, Flush Mountable

2 Meter (6') Cable ▲

26 x 26	10 mm	2 wire	N.O.	12-48 Vdc	5.2 V	100 mA	100 Hz	XS7T2DA210
26 x 26	10 mm	PNP	N.O. + N.C.	12-48 Vdc	2 V	200 mA	1000 Hz	XS7T2PC440
26 x 26	10 mm	NPN	N.O. + N.C.	12-48 Vdc	2 V	200 mA	1000 Hz	XS7T2NC440

0.8 m (2.6 ft) Pigtail with 4 Pin Micro Connector ▲

26 x 26	10 mm	2 wire	N.O.	12-48 Vdc	5.2 V	100 mA	100 Hz	XS7T2DA214LD
26 x 26	10 mm	PNP	N.O. + N.C.	12-48 Vdc	2 V	200 mA	1000 Hz	XS7T2PC440LD
26 x 26	10 mm	NPN	N.O. + N.C.	12-48 Vdc	2 V	200 mA	1000 Hz	XS7T2NC440LD

0.15 m (5.9 ft) Pigtail with 4 Pin Micro Connector ▲

26 x 26	10 mm	2 wire	N.O.	12-48 Vdc	5.2 V	100 mA	100 Hz	XS7T2DA214LD01
---------	-------	--------	------	-----------	-------	--------	--------	----------------

DC, Non-Flush Mountable

2 Meter (6') Cable ▲

26 x 26	15 mm	PNP	N.O. + N.C.	12-48 Vdc	2 V	200 mA	500 Hz	XS8T2PC440
26 x 26	15 mm	NPN	N.O. + N.C.	12-48 Vdc	2 V	200 mA	500 Hz	XS8T2NC440

0.8 m (2.6 ft) Pigtail with 4 Pin Micro Connector ▲

26 x 26	15 mm	PNP	N.O. + N.C.	12-48 Vdc	2 V	200 mA	500 Hz	XS8T2PC440LD
26 x 26	15 mm	NPN	N.O. + N.C.	12-48 Vdc	2 V	200 mA	500 Hz	XS8T2NC440LD

40 mm x 40 mm

DC, Flush Mountable

2 Meter (6') Cable ▲

40 x 40	15 mm	2 wire	N.O.	12-48 Vdc	5.2 V	100 mA	150 Hz	XS7T4DA210
40 x 40	15 mm	PNP	N.O. + N.C.	12-48 Vdc	2 V	200 mA	1000 Hz	XS7T4PC440
40 x 40	15 mm	NPN	N.O. + N.C.	12-48 Vdc	2 V	200 mA	1000 Hz	XS7T4NC440

0.8 m (2.6 ft) Pigtail with 4 Pin Micro Connector ▲

40 x 40	15 mm	2 wire	N.O.	12-48 Vdc	5.2 V	100 mA	150 Hz	XS7T4DA214LD
40 x 40	15 mm	PNP	N.O. + N.C.	12-48 Vdc	2 V	200 mA	1000 Hz	XS7T4PC440LD
40 x 40	15 mm	NPN	N.O. + N.C.	12-48 Vdc	2 V	200 mA	1000 Hz	XS7T4NC440LD

0.15 m (5.9 ft) Pigtail with 4 Pin Micro Connector ▲

40 x 40	15 mm	2 wire	N.O.	12-48 Vdc	5.2 V	100 mA	150 Hz	XS7T4DA214LD01
---------	-------	--------	------	-----------	-------	--------	--------	----------------

DC, Non-Flush Mountable

2 Meter (6') Cable ▲

40 x 40	20 mm	PNP	N.O. + N.C.	12-48 Vdc	2 V	200 mA	1000 Hz	XS8T4PC440
40 x 40	20 mm	NPN	N.O. + N.C.	12-48 Vdc	2 V	200 mA	1000 Hz	XS8T4NC440

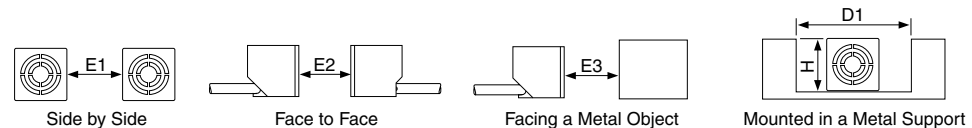
0.8 m (2.6 ft) Pigtail with 4 Pin Micro Connector ▲

40 x 40	20 mm	PNP	N.O. + N.C.	12-48 Vdc	2 V	200 mA	1000 Hz	XS8T4PC440LD
40 x 40	20 mm	NPN	N.O. + N.C.	12-48 Vdc	2 V	200 mA	1000 Hz	XS8T4NC440LD

▲ See p. 518 for matching connector cables

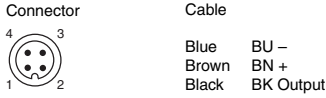
Minimum Mounting Clearances

	E1		E2		E3		D1		H	
	IN	mm	IN	mm	IN	mm	IN	mm	IN	mm
XS7T2 Shielded	0.98	25	4.32	110	1.18	30	1.02	26	0	0
XS7T4 Non-shielded	1.57	40	4.71	120	1.77	45	1.57	40	0	0
XS7T4 Shielded	1.49	38	4.72	120	1.77	45	3.07	78	1.02	26
XS8T4 Non-shielded	2.36	60	6.29	160	2.36	60	4.72	120	1.57	40

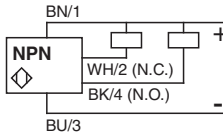
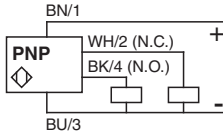


Dual Dimensions $\frac{\text{inches}}{\text{mm}}$

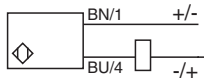
Wiring



4 Wire



2 Wire



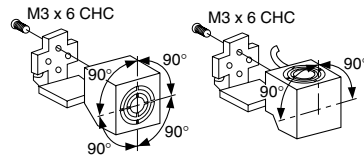
Specifications

Mechanical				
Usable Sensing Range ★	XS7T2	0–8 mm (.32")		
	XS8T2	0–12 mm (.47")		
Temperature Range	-13° to 158° F (-25° to 70° C)			
Enclosure Rating	NEMA Type	1, 4X, 12		
	IEC Type	IP67 (connector version depends on connector)		
Vibration	25 G, amplitude =/2 mm, f = 10-55 Hz			
Shock Resistance	50 G for 11 ms			
Differential (% of Sr)	20%			
Repeatability (% of Sr)	3%			
LED Indicator Type	Yes, located at cable			
Enclosure Material	Plastic			
Wiring	20 AWG (0.5 mm ²), PvR cable			
Electrical		2 wire	3 wire	4 wire
Voltage Range		12–48 Vdc	12–48 Vdc	12–48 Vdc
Voltage Limit (Including Ripple)		10–58 Vdc	10–58 Vdc	10–58 Vdc
Voltage Drop		5.2 V	2 V	5.2 V
(max.) Leakage (Residual) Current–Open State		0.7 mA	0.1 mA	0.1 mA
Current Consumption		10 mA	10 mA	10 mA
Power-up Delay (max.)		5 ms	5 ms	7 ms
On Delay (max.)		2 ms	0.3 ms	0.3 ms
Off Delay (max.)		5 ms	0.7 ms	0.7 ms
Protective Circuitry	Short Circuit Protection	Yes	Yes	Yes
	Overload Protection	Yes	Yes	Yes
Agency Listings	E 164869 CCN NRKH	CR 44087 Class 3211 03		

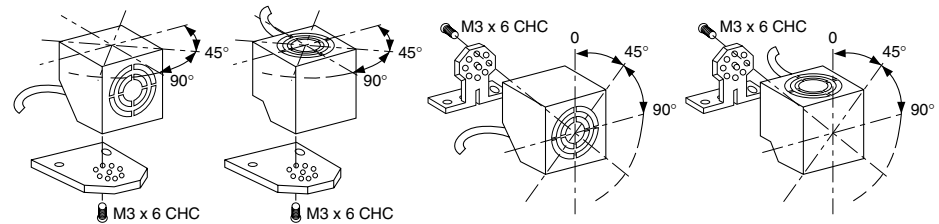
★ Refer to p. 351 for target material correction coefficient Km.

Mounting options

XS7/8T2



XS7/8T4



Connector Cables (M12 or D suffix)

XSZCD101Y	Micro Conn., 4 pin, 2 m, straight
XSZCD111Y	Micro Conn., 4 pin, 2 m, 90°

For additional cable options and lengths see p. 518