



residual current device RCD520B basic RCD type B or B+ loadside mounted rated resid. current 0.03...5 A adjustable tv 0...10,000 ms 3-pole In=160 A Ue=127-690 V accessory for: 3VA11

Model	
product brand name	SENTRON
product designation	Residual current protection device types B and B+
accessories	Residual current protection module type B and B+
General technical data	
fastening method	screw fixing
number of poles	3
protection class IP / on the front	IP40
Voltage	
supply voltage / at AC	
• minimum	127 V
• maximum	690 V
Current	
operational current / at AC / rated value	160 A
response value / of the residual current	0.03;0.05;0.1;0.3;0.5;1;3;5
product function / communication with residual current equipment	No
<ul style="list-style-type: none"> • product function / integrated / alarm management • product function / integrated / alarm management • product function / remote-controlled tripping • product feature / sealable • product function / selectable tripping characteristic • product function / selectable RCD or monitoring mode 	Yes Pre-alarm indication 30% No Yes Yes Yes
position / of the infeed / on the RCD component	Top or bottom
type of electrical connection / for main current circuit	busbar connection
set values / of the limit value of not tripping time	0;0.06;0.15;0.3;0.5;1.0;2.0;3.0;5.0;10.0
type of trip indicator / electrical	Yes
type of trip indicator / communication	No
power loss [W] / maximum	7.6 W
operating frequency / rated value / maximum	60 Hz
frequency / of fault current	
• minimum	0 Hz
• maximum	100 000 Hz
Mechanical Design	
height	100 mm
width	101.5 mm
depth	70 mm
net weight	630 g

Net Weight	845 g
Connections according UL	
ambient temperature / during operation	
• minimum	-25 °C
• maximum	70 °C
ambient temperature / during storage	
• minimum	-40 °C
• maximum	80 °C

Certificates

General Product Approval



[Miscellaneous](#)



[Confirmation](#)



General Product Approval	EMV	Test Certificates	Maritime application	other
--------------------------	-----	-------------------	----------------------	-------



[Type Test Certificates/Test Report](#)



[Miscellaneous](#)

[Confirmation](#)

Dangerous goods	Environment
-----------------	-------------

[Transport Information](#)

[Environmental Confirmations](#)

[Environmental Confirmations](#)

Further information

Information on the packaging

<https://support.industry.siemens.com/cs/ww/en/view/109813875>

Information for data generation and storage

<https://support.industry.siemens.com/cs/ww/en/view/109995012>

Information- and Downloadcenter (Catalogs, Brochures,...)

<https://www.siemens.com/lowvoltage/catalogs>

Industry Mall (Online ordering system)

<https://mall.industry.siemens.com/mall/en/en/Catalog/product?mlfb=3VA9113-0RL21>

Service&Support (Manuals, Certificates, Characteristics, FAQs,...)

<https://support.industry.siemens.com/cs/ww/en/ps/3VA9113-0RL21>

Image database (product images, 2D dimension drawings, 3D models, device circuit diagrams, ...)

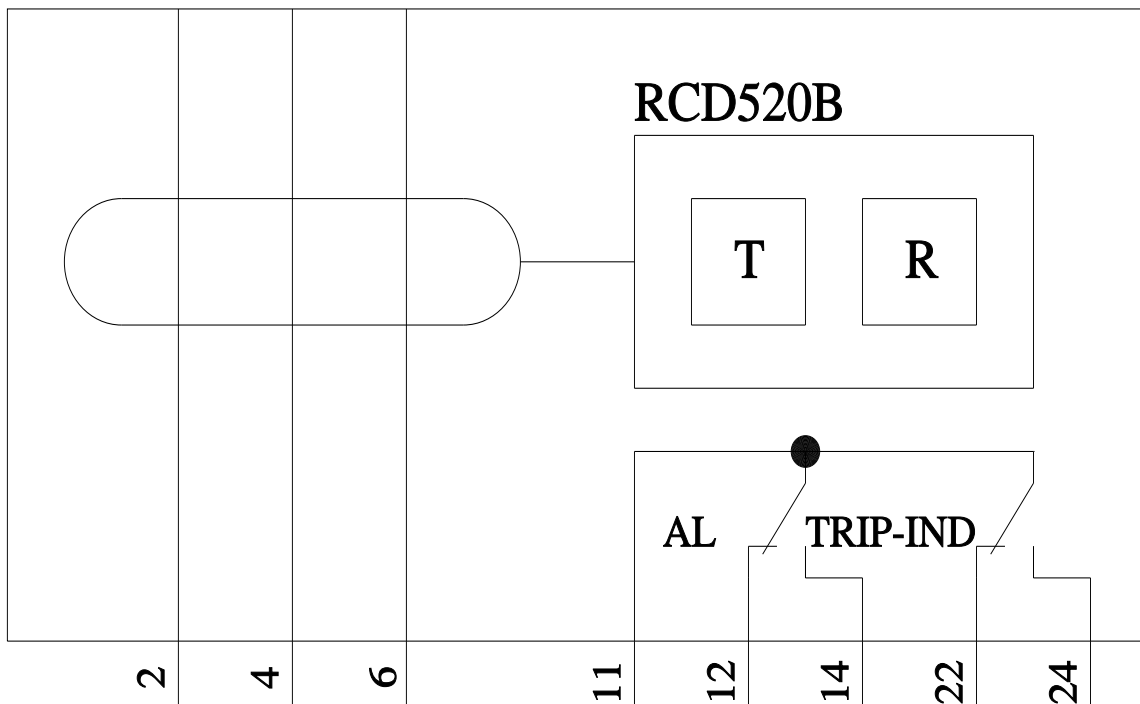
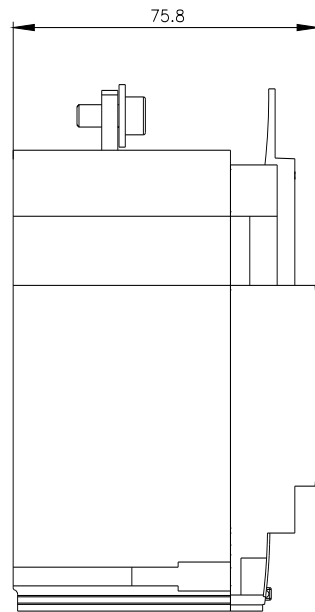
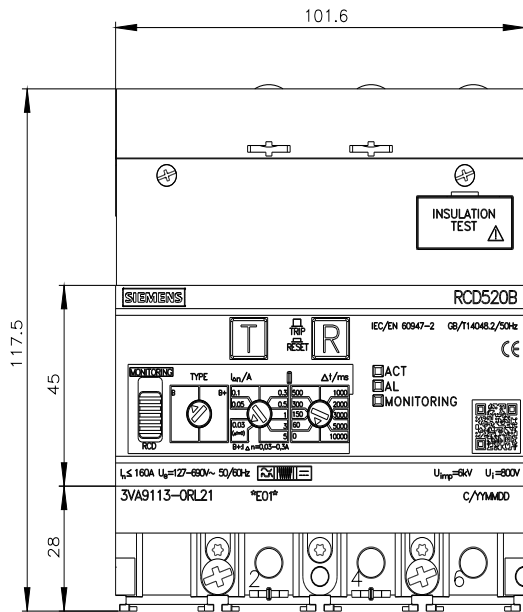
https://www.automation.siemens.com/bilddb/cax_en.aspx?mlfb=3VA9113-0RL21

CAX-Online-Generator

<https://www.siemens.com/cax>

Tender specifications

<https://www.siemens.com/specifications>



last modified:

5/8/2026

