



circuit breaker size S3 for system protection without phase failure protection A release 57...75 A short-circuit release 975 A screw terminal standard switching capacity

product brand name	SIRIUS
product designation	Circuit breaker
design of the product	for system protection
product type designation	3RV2
General technical data	
Product equipment of circuit breaker for motor protection complete unit with protection device	Yes
size of the circuit-breaker	S3
size of contactor can be combined company-specific	S3
product function disconnecter functionality	Yes
product extension auxiliary switch	Yes
power loss [W] for rated value of the current	
• at AC in hot operating state	38 W
• at AC in hot operating state per pole	12.7 W
type of calculation of power loss current-dependent	quadratic
insulation voltage with degree of pollution 3 at AC rated value	1 000 V
surge voltage resistance rated value	8 kV
maximum permissible voltage for protective separation	
• in networks with ungrounded star point between main and auxiliary circuit	400 V
• in networks with grounded star point between main and auxiliary circuit	400 V
protection class IP	
• on the front according to IEC 60529	IP20
• on the front	IP20
• of the terminal	IP00
shock resistance according to IEC 60068-2-27	25 g / 11 ms Sinus
mechanical service life (operating cycles)	
• of the main contacts typical	25 000
• of auxiliary contacts typical	25 000
electrical endurance (operating cycles) typical	25 000
reference code according to IEC 81346-2	Q
continuous current rated value	75 A
Substance Prohibitance (day/month/year)	03/01/2017
SVHC substance name	Lead CAS-No. 7439-92-1
Net Weight	2.235 kg
Ambient conditions	

installation altitude at height above sea level maximum	2 000 m
ambient temperature	
• during operation	-20 ... +60 °C
• during storage	-50 ... +80 °C
• during transport	-50 ... +80 °C
temperature compensation	-20 ... +60 °C
relative humidity during operation	10 ... 95 %
Main circuit	
number of poles for main current circuit	3
adjustable current response value current of the current-dependent overload release	57 ... 75 A
type of voltage for main current circuit	AC
operating voltage	
• rated value	690 V
• rated value	20 ... 690 V
• at AC-3 rated value maximum	690 V
• at AC-3e rated value maximum	690 V
operating frequency rated value	50 ... 60 Hz
operational current rated value	75 A
operational current	
• at AC-3 at 400 V rated value	75 A
• at AC-3e at 400 V rated value	75 A
operating power	
• at AC-3	
— at 230 V rated value	22 kW
— at 400 V rated value	37 kW
— at 500 V rated value	45 kW
— at 690 V rated value	55 kW
• at AC-3e	
— at 230 V rated value	22 kW
— at 400 V rated value	37 kW
— at 500 V rated value	45 kW
— at 690 V rated value	55 kW
operating frequency	
• at AC-3 maximum	15 1/h
• at AC-3e maximum	15 1/h
Auxiliary circuit	
type of voltage for auxiliary and control circuit	AC/DC
number of NC contacts for auxiliary contacts	0
number of NO contacts for auxiliary contacts	0
number of CO contacts for auxiliary contacts	0
Protective and monitoring functions	
product function	
• ground fault detection	No
• phase failure detection	No
trip class	CLASS 10
design of the overload release	thermal
protection function thermal overload protection (ANSI 49)	Yes
maximum short-circuit current breaking capacity (I_{cu})	
• at AC at 240 V rated value	100 kA
• at AC at 400 V rated value	100 kA
• at AC at 500 V rated value	10 kA
• at AC at 690 V rated value	6 kA
operating short-circuit current breaking capacity (I_{cs}) at AC	
• at 240 V rated value	100 kA
• at 400 V rated value	50 kA
• at 500 V rated value	5 kA
• at 690 V rated value	3 kA
response value current of instantaneous short-circuit trip unit	975 A

Short-circuit protection	
product function short circuit protection	Yes
design of the short-circuit trip	magnetic
design of the fuse link for IT network for short-circuit protection of the main circuit	
<ul style="list-style-type: none"> • at 240 V • at 400 V • at 500 V • at 690 V 	<ul style="list-style-type: none"> gG 160 A gG 100 A gG 80 A gG 80 A
Installation/ mounting/ dimensions	
mounting position	any
fastening method	screw and snap-on mounting onto 35 mm DIN rail according to DIN EN 60715
Mounting method of circuit breaker for Transformer protection, Generator protection and system protection optional standard bar mounting	Yes
height	165 mm
width	70 mm
depth	176 mm
required spacing	
<ul style="list-style-type: none"> • with side-by-side mounting <ul style="list-style-type: none"> — forwards — backwards — upwards — downwards — at the side • for grounded parts <ul style="list-style-type: none"> — forwards — backwards — upwards — at the side — downwards • for live parts <ul style="list-style-type: none"> — forwards — backwards — upwards — downwards — at the side • for grounded parts at 400 V <ul style="list-style-type: none"> — downwards — upwards — at the side • for live parts at 400 V <ul style="list-style-type: none"> — downwards — upwards — at the side • for grounded parts at 500 V <ul style="list-style-type: none"> — downwards — upwards — at the side • for live parts at 500 V <ul style="list-style-type: none"> — downwards — upwards — at the side • for grounded parts at 690 V <ul style="list-style-type: none"> — downwards — upwards — backwards — at the side — forwards • for live parts at 690 V 	<ul style="list-style-type: none"> 0 mm 0 mm 150 mm 150 mm 0 mm 0 mm 0 mm 150 mm 30 mm 150 mm 0 mm 0 mm 150 mm 150 mm 30 mm 70 mm 70 mm 10 mm 70 mm 70 mm 10 mm 110 mm 110 mm 10 mm 110 mm 110 mm 10 mm 150 mm 150 mm 0 mm 30 mm 0 mm

— downwards	150 mm
— upwards	150 mm
— backwards	0 mm
— at the side	30 mm
— forwards	0 mm

Connections/ Terminals

product component removable terminal for auxiliary and control circuit	No
type of electrical connection	
• for main current circuit	screw-type terminals
arrangement of electrical connectors for main current circuit	Top and bottom
type of connectable conductor cross-sections	
• for main contacts	
— solid	2x (2.5 ... 16 mm ²)
— solid or stranded	2x (2.5 ... 50 mm ²), 1x (10 ... 70 mm ²)
— finely stranded with core end processing	2x (2.5 ... 35 mm ²), 1x (2.5 ... 50 mm ²)
— finely stranded without core end processing	2x (10 ... 35 mm ²), 1x (10 ... 50 mm ²)
connectable conductor cross-section for main contacts	
• finely stranded with core end processing	2.5 ... 50 mm ²
• finely stranded without core end processing	10 ... 50 mm ²
tightening torque	
• for main contacts for ring cable lug	4.5 ... 6 N·m
outer diameter of the usable ring cable lug maximum	19 mm
tightening torque	
• for main contacts with screw-type terminals	4.5 ... 6 N·m
design of the thread of the connection screw	
• for main contacts	M8

Safety related data

product function suitable for safety function	Yes
suitability for use	
• safety-related switching on	No
• safety-related switching OFF	Yes
service life maximum	10 a
test wear-related service life necessary	Yes
proportion of dangerous failures	
• with low demand rate according to SN 31920	40 %
• with high demand rate according to SN 31920	50 %
B10 value with high demand rate according to SN 31920	5 000
failure rate [FIT] with low demand rate according to SN 31920	50 FIT

ISO 13849

device type according to ISO 13849-1	3
overdimensioning according to ISO 13849-2 necessary	Yes

IEC 61508

safety device type according to IEC 61508-2	Type A
T1 value	
• for proof test interval or service life according to IEC 61508	10 a

Electrical Safety

protection class IP on the front according to IEC 60529	IP20
touch protection on the front according to IEC 60529	finger-safe, for vertical contact from the front

Display

display version for switching status	Handle
--------------------------------------	--------

Approvals Certificates

Environmental Product Declaration	
• global warming potential [CO ₂ eq] / during manufacturing	18.5 kg
• global warming potential [CO ₂ eq] / during sales	1.24 kg
• global warming potential [CO ₂ eq] / during operation	265 kg
• global warming potential [CO ₂ eq] / after end of life	-1.5 kg

• global warming potential [CO2 eq] / total

283.24 kg

Environment General Product Approval

[Environmental Confirmations](#)



General Product Approval Test Certificates Maritime application



[Special Test Certificate](#)

[Type Test Certificates/Test Report](#)



Maritime application other



[Miscellaneous](#)

other Railway

[Confirmation](#)

[Miscellaneous](#)



[Confirmation](#)

[Special Test Certificate](#)

Further information

Information on the packaging

<https://support.industry.siemens.com/cs/ww/en/view/109813875>

Information for data generation and storage

<https://support.industry.siemens.com/cs/ww/en/view/109995012>

Information- and Downloadcenter (Catalogs, Brochures,...)

<https://www.siemens.com/ic10>

Industry Mall (Online ordering system)

<https://mall.industry.siemens.com/mall/en/en/Catalog/product?mlfb=3RV2041-4KA10-0DA0>

Service&Support (Manuals, Certificates, Characteristics, FAQs,...)

<https://support.industry.siemens.com/cs/ww/en/ps/3RV2041-4KA10-0DA0>

Image database (product images, 2D dimension drawings, 3D models, device circuit diagrams, EPLAN macros, ...)

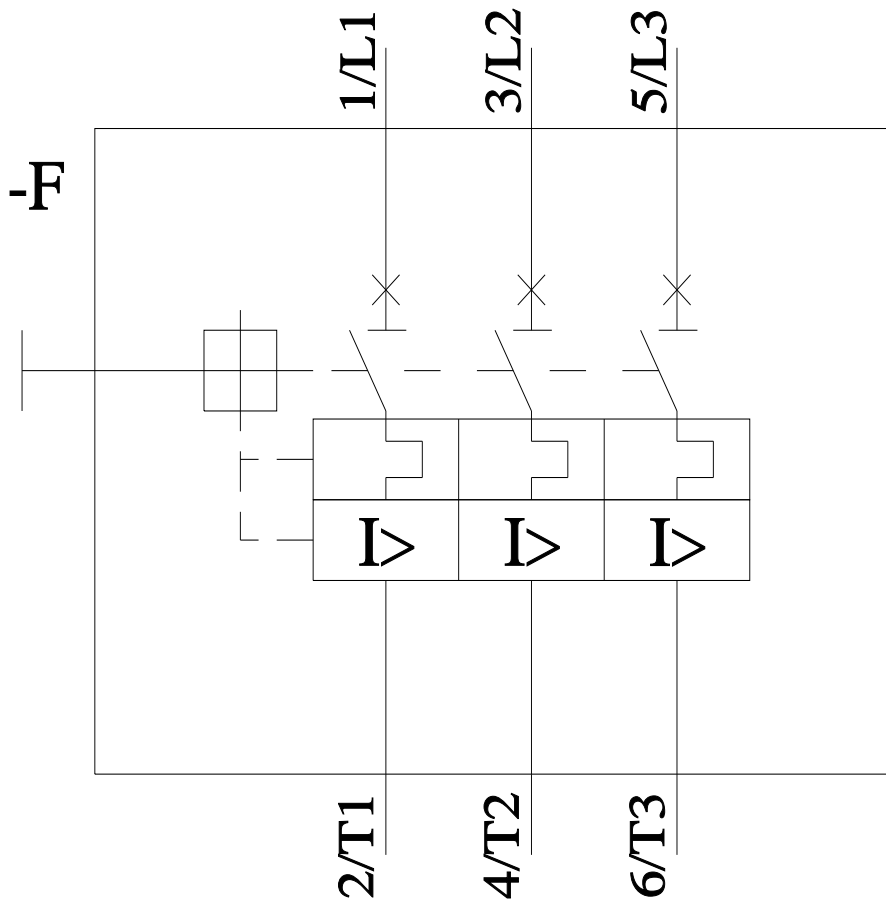
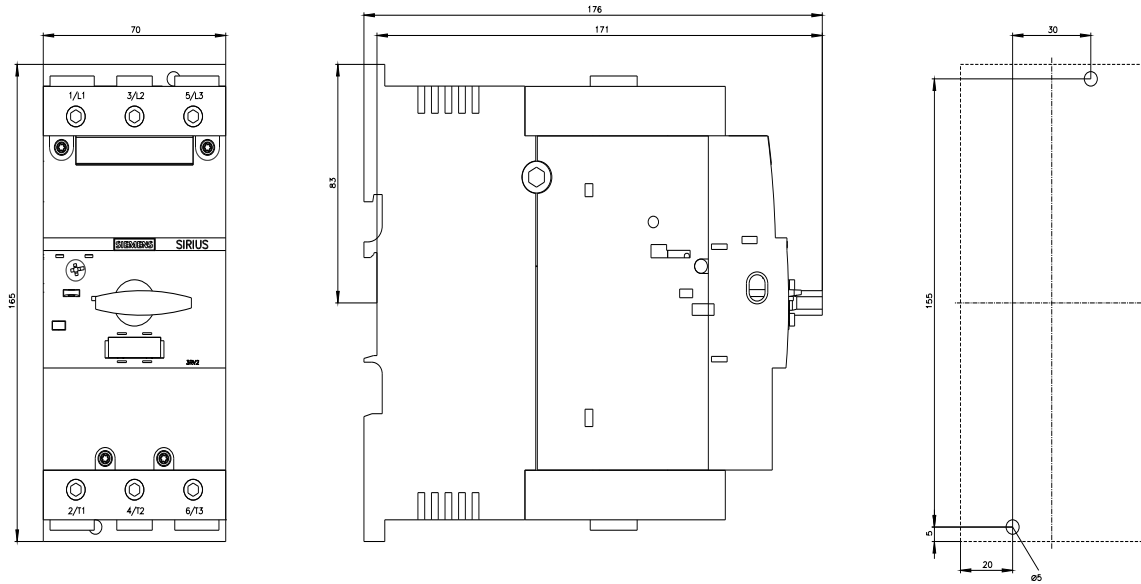
https://www.automation.siemens.com/bilddb/cax_de.aspx?mlfb=3RV2041-4KA10-0DA0&lang=en

Cax online generator

<https://support.automation.siemens.com/WW/CAXorder/default.aspx?lang=en&mlfb=3RV2041-4KA10-0DA0>

Characteristic curves

[https://curves.simaris.siemens.com/curves/<mmp_prod_noCOMP="HAUPT"></mmp_prod_no>](https://curves.simaris.siemens.com/curves/<mmp_prod_noCOMP=)



last modified:

5/5/2026

