



AS-i flat module, digital 4 DI/4 DQ, IP20 4 x inputs for 3-wire sensor  
4 x output, 24 V DC Output supply via U\_ASI Screw terminals

General technical data		
design of the product		flat module
design of the device type		standard slave
protocol is supported AS-Interface protocol		Yes
type of electrical connection of the inputs and outputs		screw-type terminals
reference code according to DIN 40719 extended according to IEC 204-2 according to IEC 750		A
Sensor supply		
type of voltage supply for sensor supply		using AS-Interface
input voltage	V	20 ... 30
property of the sensor supply short-circuit and overload resistant		Yes
Inputs		
number of digital inputs		4
type of connection technology		2- and 3-wire technology
type of voltage of the input voltages		DC
input current at digital input		
• for signal <1> minimum	mA	5
• with signal <0> maximum	mA	1.5
Outputs		
number of digital outputs		4
type of voltage of output voltages		DC
type of switching output		solid state
property of the output short-circuit proof		Yes
Ambient conditions		
ambient temperature		
• during operation	°C	-25 ... +85
• during storage	°C	-40 ... +85
protection class IP		IP20
Mechanical data		
width	mm	18.5
height	mm	81.5
depth	mm	79.8
fastening method		integrated lugs for screw fixing
Certificates/ approvals		
General Product Approval	EMV	Test Certificates



[Special Test Certificate](#)

Maritime application	other	Environment	Industrial Communication
----------------------	-------	-------------	--------------------------



[Miscellaneous](#)

[Confirmation](#)



[Environmental Confirmations](#)



### Further information

#### Information on the packaging

<https://support.industry.siemens.com/cs/ww/en/view/109813875>

#### Information for data generation and storage

<https://support.industry.siemens.com/cs/ww/en/view/109995012>

#### Information- and Downloadcenter (Catalogs, Brochures,...)

<https://www.siemens.com/ic10>

#### Industry Mall (Online ordering system)

<https://mall.industry.siemens.com/mall/en/en/Catalog/product?mlfb=3RK1400-0CE00-0AA3>

#### Cax online generator

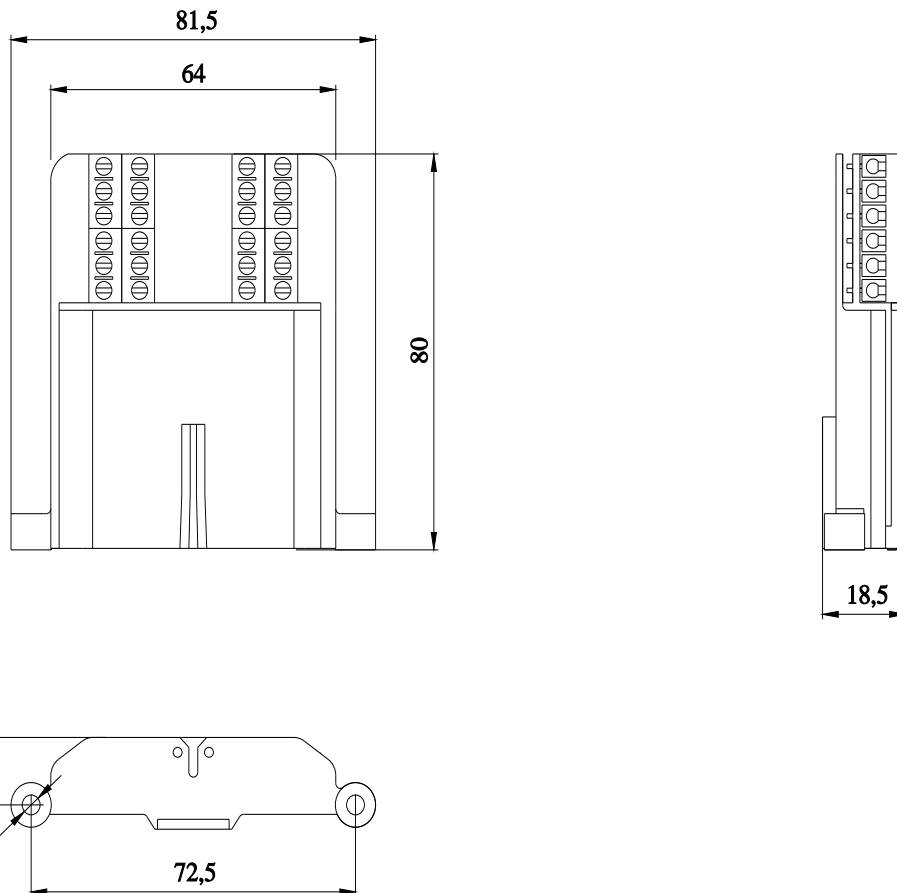
<https://support.automation.siemens.com/WW/CAXorder/default.aspx?lang=en&mlfb=3RK1400-0CE00-0AA3>

#### Service&Support (Manuals, Certificates, Characteristics, FAQs,...)

<https://support.industry.siemens.com/cs/ww/en/ps/3RK1400-0CE00-0AA3>

#### Image database (product images, 2D dimension drawings, 3D models, device circuit diagrams, EPLAN macros, ...)

[https://www.automation.siemens.com/bilddb/cax\\_de.aspx?mlfb=3RK1400-0CE00-0AA3&lang=en](https://www.automation.siemens.com/bilddb/cax_de.aspx?mlfb=3RK1400-0CE00-0AA3&lang=en)



last modified:

4/1/2025