



data manager 7KT1261 3-phase measuring device and data collector for up to 96 outgoing load feeders configuration and read-out on responsive Web browser (PC, SmartPhone, tablet, etc.) data storage in the form of energy monitoring light extraction in various data formats, such as CSV

Model	
product brand name	SENTRON
product designation	Multichannel current measuring device
product type designation	7KT PAC1200
General technical data	
measuring precision	Total accuracy +/-1% (of full-scale value / class 1)
measured variable current rated value	63 A
Supply voltage	
type of measurable line frequency full-scale value	50 / 60 ± 5%
line frequency rated value	
• 50 Hz	Yes
• 60 Hz	Yes
protection class IP on the front	IP2X
Suitability	
suitability for use ammeter	No
suitability for use reactive power meter	Yes
suitability for use revolution measuring instrument	No
suitability for use frequency meter	Yes
suitability for use pulse counter	No
suitability for use voltmeter	No
suitability for use wattmeter	Yes
Mechanical Design	
height	88 mm
depth	65 mm
number of modular width units	4
Net Weight	328 g
Approvals Certificates	
General Product Approval	other



[Confirmation](#)



[Confirmation](#)



Environment



Further information

Information on the packaging

<https://support.industry.siemens.com/cs/ww/en/view/109813875>

Information for data generation and storage

<https://support.industry.siemens.com/cs/ww/en/view/109995012>

Information- and Downloadcenter (Catalogs, Brochures,...)

<https://www.siemens.com/lowvoltage/catalogs>

Industry Mall (Online ordering system)

<https://mall.industry.siemens.com/mall/en/en/Catalog/product?mlfb=7KT1261>

Service&Support (Manuals, Certificates, Characteristics, FAQs,...)

<https://support.industry.siemens.com/cs/ww/en/ps/7KT1261>

Image database (product images, 2D dimension drawings, 3D models, device circuit diagrams, ...)

https://www.automation.siemens.com/bilddb/cax_en.aspx?mlfb=7KT1261

CAX-Online-Generator

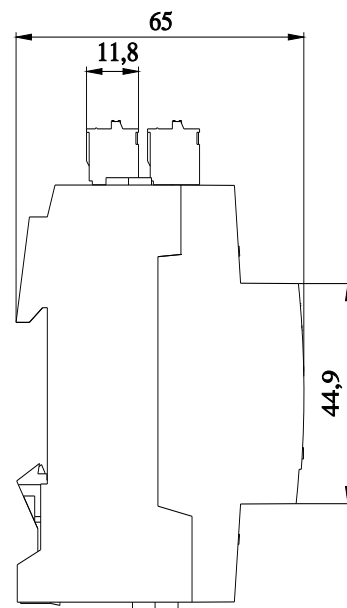
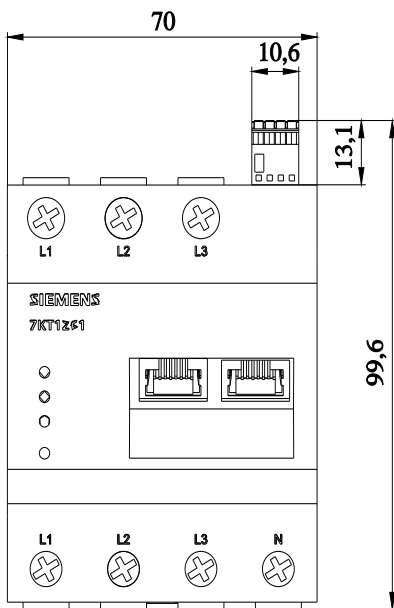
<https://www.siemens.com/cax>

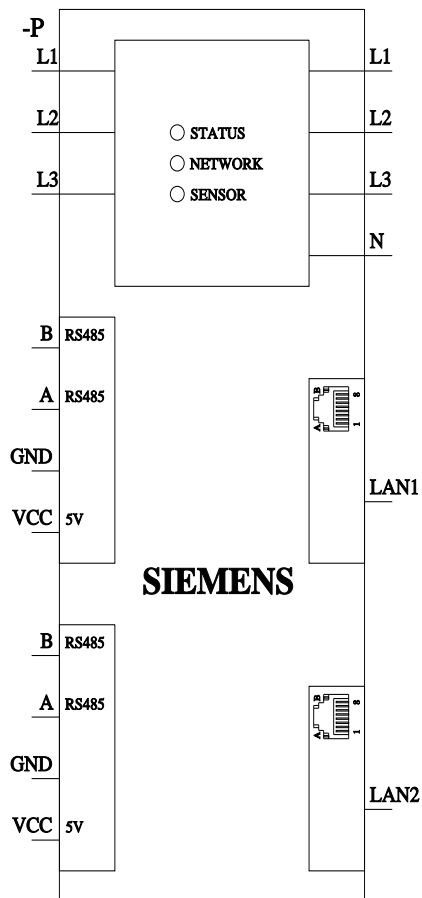
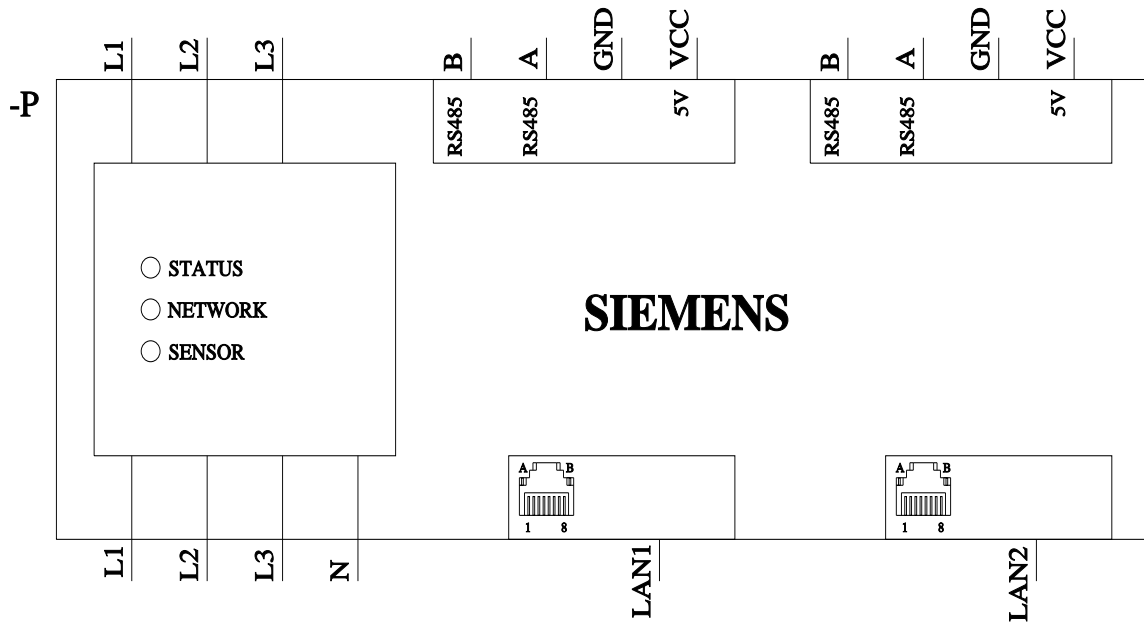
Tender specifications

<https://www.siemens.com/specifications>

Characteristic curves

[https://curves.simaris.siemens.com/curves/<mmp_prod_noCOMP="HAUPT"></mmp_prod_no>](https://curves.simaris.siemens.com/curves/<mmp_prod_noCOMP=)





last modified:

5/26/2025

