



Circuit breaker 0.32 A A-release 0.22...0.32 A, N-release 4.2 A, for motor protection, class 10, screw connection, standard switching capacity, w. transverse AUX. switch 1 NO + 1 NC



product brand name	SIRIUS
product designation	Circuit breaker
design of the product	for motor protection
product type designation	3RV6
<b>General technical data</b>	
size of the circuit-breaker	S00
power loss [W] total typical	5 W
power loss [W] for rated value of the current at AC in hot operating state per pole	1.8 W
type of calculation of power loss current-dependent	quadratic
insulation voltage with degree of pollution 3 at AC rated value	690 V
surge voltage resistance rated value	6 kV
shock resistance according to IEC 60068-2-27	25 g / 11 ms
Substance Prohibitance (day/month/year)	05/01/2012
SVHC substance name	Lead CAS-No. 7439-92-1
Net Weight	0.28 kg
<b>Ambient conditions</b>	
installation altitude at height above sea level maximum	2 000 m
ambient temperature	
• during operation	-20 ... +60 °C
• during transport	-50 ... +80 °C
relative humidity during operation	10 ... 95 %
<b>Main circuit</b>	
number of poles for main current circuit	3
adjustable current response value current of the current-dependent overload release	0.22 ... 0.32 A
operating voltage	
• rated value	690 V
• at AC-3 rated value maximum	690 V
operating frequency rated value	50 ... 60 Hz
operational current rated value	0.32 A
operational current at AC-3 at 400 V rated value	0.32 A
operating frequency at AC-3 maximum	15 1/h
<b>Auxiliary circuit</b>	
design of the auxiliary switch	transverse
<b>Protective and monitoring functions</b>	
trip class	CLASS 10
design of the overload release	thermal
maximum short-circuit current breaking capacity (I <sub>cu</sub> ) at AC at 400 V rated value	100 kA



operating short-circuit current breaking capacity (Ics) at AC at 400 V rated value	100 kA
response value current of instantaneous short-circuit trip unit	4.2 A
<b>Short-circuit protection</b>	
product function short circuit protection	Yes
design of the short-circuit trip	magnetic
<b>Installation/ mounting/ dimensions</b>	
mounting position	any
fastening method	screw and snap-on mounting onto 35 mm DIN rail according to DIN EN 60715
height	97 mm
width	45 mm
depth	97 mm
required spacing for grounded parts	
• forwards	0 mm
• backwards	0 mm
• upwards	50 mm
• at the side	30 mm
• downwards	50 mm

<b>Connections/ Terminals</b>	
type of electrical connection	
• for main current circuit	screw-type terminals
• for auxiliary and control circuit	screw-type terminals
arrangement of electrical connectors for main current circuit	Top and bottom
type of connectable conductor cross-sections for main contacts	
• solid or stranded	2x (0,75 ... 2,5 mm <sup>2</sup> ), 2x 4 mm <sup>2</sup>
• finely stranded with core end processing	2x (0.5 ... 1.5 mm <sup>2</sup> ), 2x (0.75 ... 2.5 mm <sup>2</sup> )
type of connectable conductor cross-sections	
• for auxiliary contacts	
— solid or stranded	2x (0.5 ... 1.5 mm <sup>2</sup> ), 2x (0.75 ... 2.5 mm <sup>2</sup> )
— finely stranded with core end processing	2x (0.5 ... 1.5 mm <sup>2</sup> ), 2x (0.75 ... 2.5 mm <sup>2</sup> )
• for AWG cables for auxiliary contacts	2x (20 ... 16), 2x (18 ... 14)
tightening torque	
• for main contacts with screw-type terminals	0.8 ... 1.2 N·m
• for auxiliary contacts with screw-type terminals	0.8 ... 1.2 N·m

<b>Electrical Safety</b>	
protection class IP on the front according to IEC 60529	IP20
touch protection on the front according to IEC 60529	finger-safe, for vertical contact from the front

**Approvals Certificates**

General Product Approval	Test Certificates
 <a href="#">Confirmation</a>   	<a href="#">Type Test Certificates/Test Report</a>

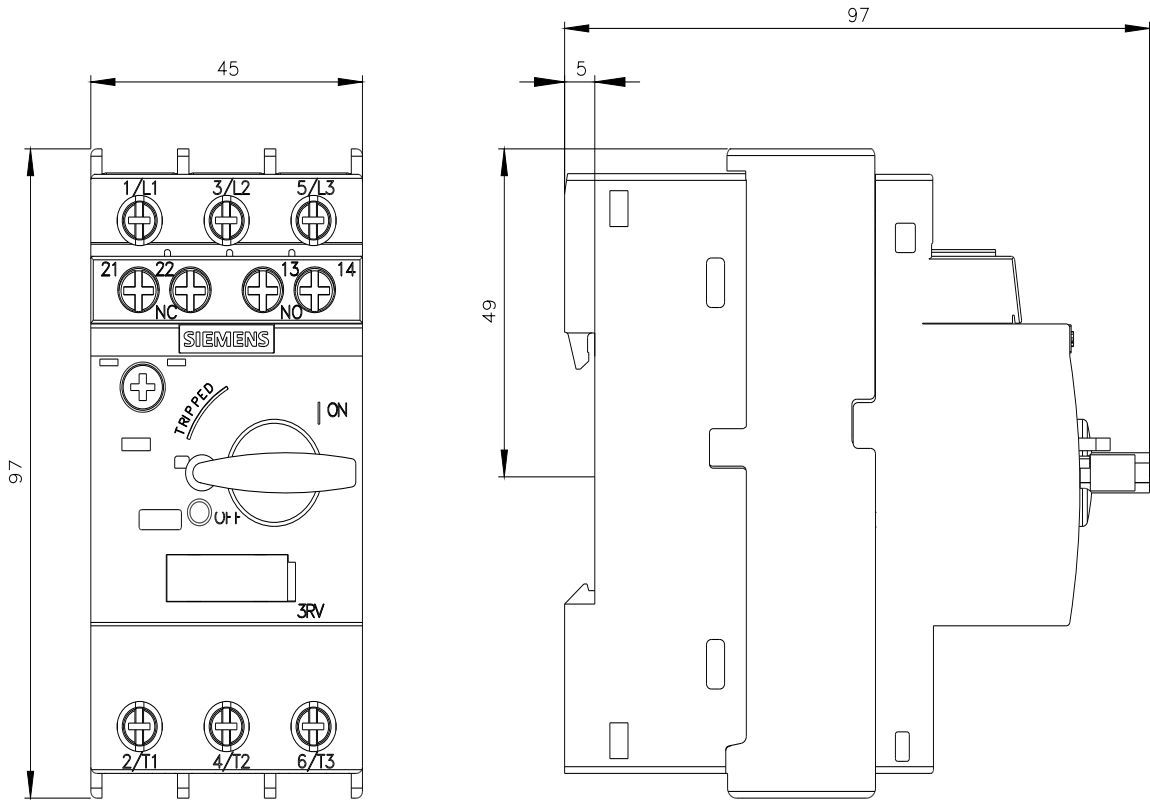
Maritime application	other
	<a href="#">CCS (China Classification Society)</a> <a href="#">Confirmation</a> <a href="#">Miscellaneous</a> <a href="#">Confirmation</a> 

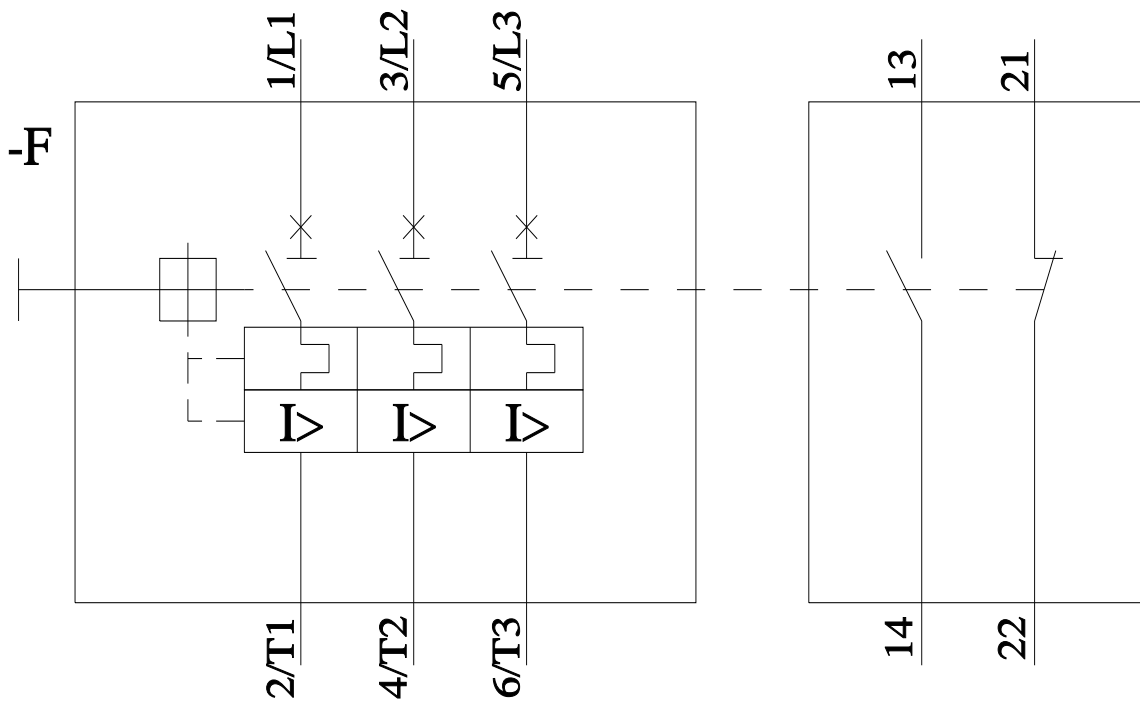
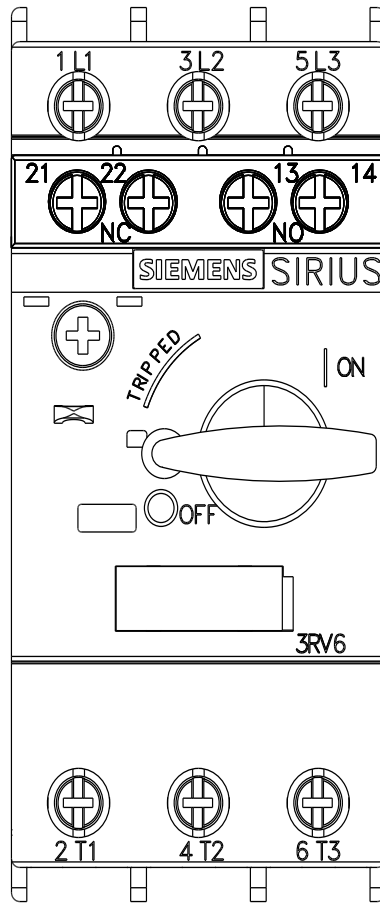
**Environment**

[Environmental Confirmations](#)

Further information

Service&Support (Manuals, Certificates, Characteristics, FAQs,...)  
<https://support.industry.siemens.com/cs/products?pnid=16027&lc=en-CN>





last modified:

5/16/2026 