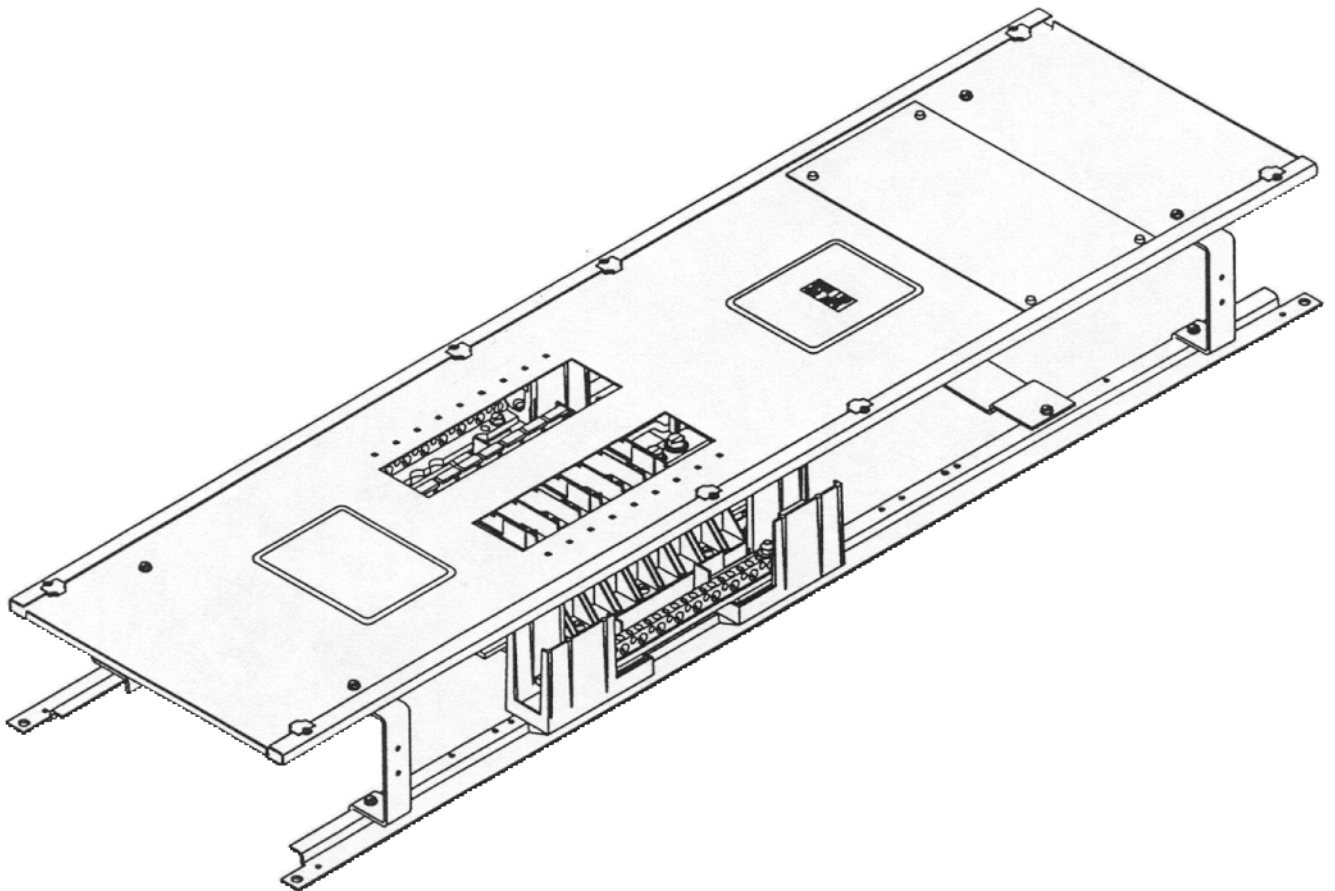


SIEMENS

P1 400A Panel board Kit 4MLKA3 Main / Feed Thru Lugs

Installation
Instruction



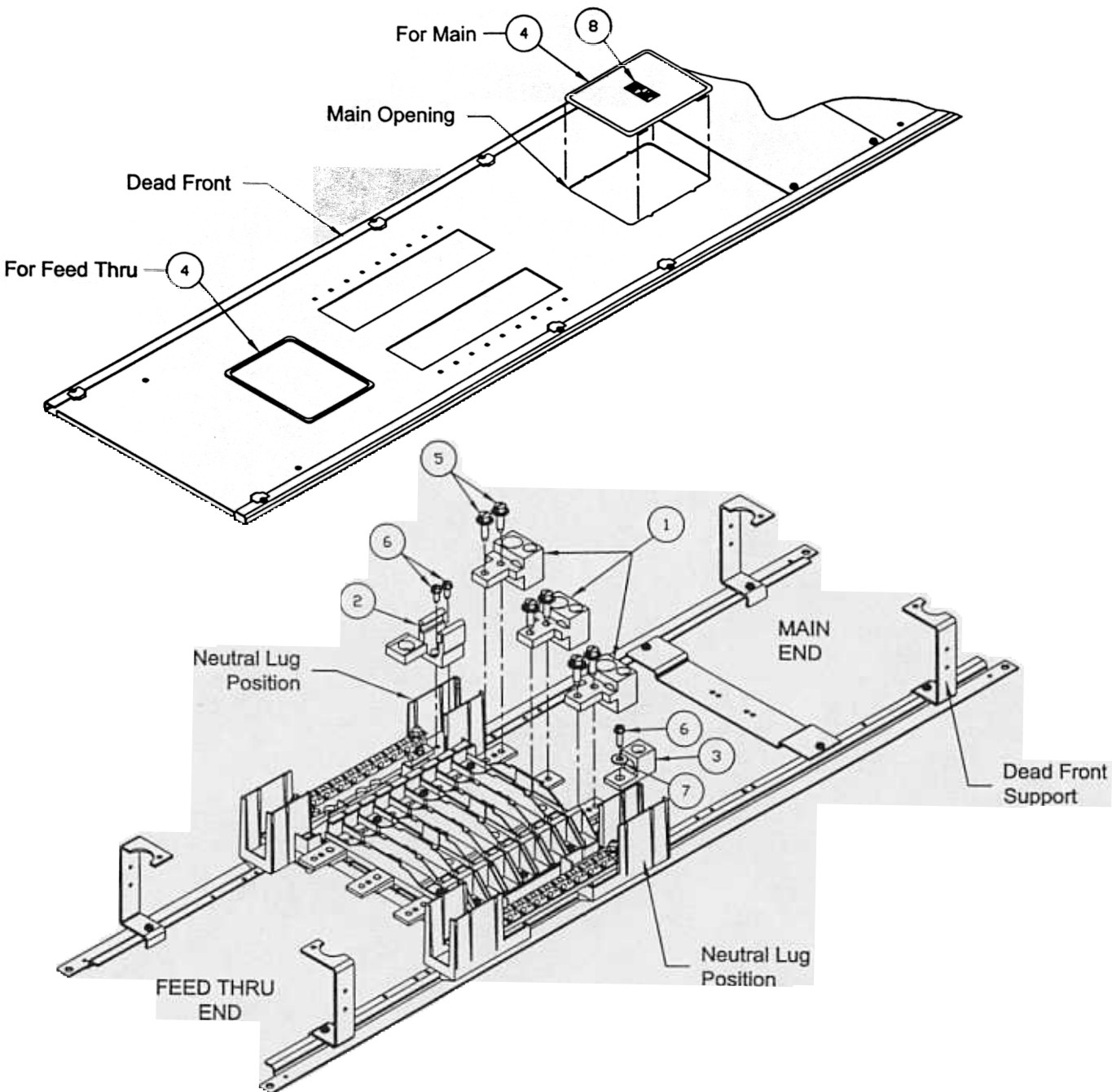


FIGURE 1: LUG KIT INSTALLATION

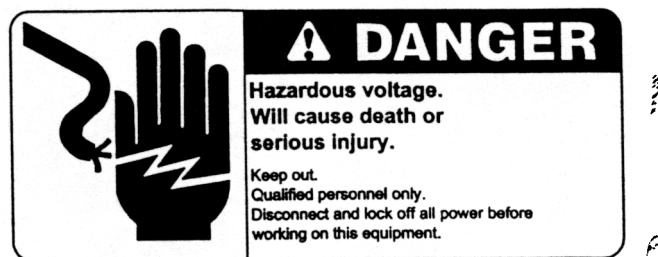
Main lugs shown. For feed thru, mount at feed thru end of interior.

THIS KIT CONTAINS THE FOLLOWING ITEMS

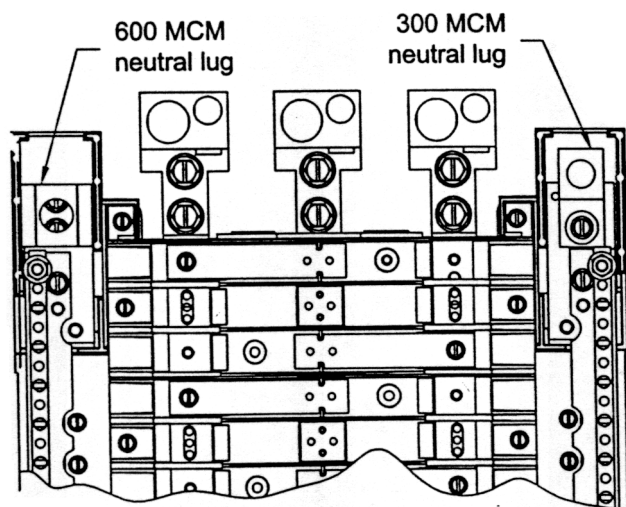
| ITEM | DESCRIPTION | QTY. |
|------|---|------|
| 1 | (1)600 MCM & (1)250MCM DOUBLE BARREL LUG | 3 |
| 2 | 600 MCM LAY-IN NEUTRAL LUG | 1 |
| 3 | 300 MCM TANG LUG | 1 |
| 4 | DEAD FRONT MAIN / FEED THRU FILLER PLATE | 1 |
| 5 | 5/16"-18 X 1-1/8" HEX HEAD SEMS ASSEMBLY THREAD FORMING SCREW | 6 |
| 6 | 1/4"-20 x 5/8" HEX WASHER HEAD THREAD FORMING SCREW | 3 |
| 7 | 1/4" PLAIN WASHER | 1 |
| 8 | MAIN LUG LABEL | 1 |

Installation Instructions

The following instructions are for the installation of a Siemens main /feed thru lug kit in a 400 amp Type P1 panelboard. The parts provided in this kit are for connection to 3 phase 3 wire and 4 wire systems. For 3 wire systems, disregard the neutral instructions.



- 1. For installation as main lugs.** Lock off all power to this equipment before working on it. Main lugs must be installed at the designated main end of the panel. Refer to Figure 1 to determine the correct location. Remove the dead front and main, if installed. Position the main lugs (item 1) as shown.
- Fasten each lug to the panel section or main bus using two 5/16"-18 thread forming SEMS screws (item 5) per lug. Torque the screws to the value indicated on the tightening torque label on the rear of the dead front.
- On 4 wire systems, neutral lugs are required. Loosen the cable binding screw in the lay-in lug (item 2), remove the cap plate, and place the lug on the lug pad inside the neutral barrier cavity, as shown. Align the two lug holes with the mounting holes on the lug pad centerline. Fasten the lug with two 1/4"-20 thread forming screws (item 6). Place the tang lug (item 3) in the other barrier cavity, and align its hole with the innermost lug pad hole. See reference drawing below for the correct position. Fasten the tang lug using a 1/4"-20 self threading screw (item 6) with a plain washer (item 7). Torque all lug mounting screws to the value indicated on the tightening torque label on the rear of the dead front.
- Attach the cables to the lugs and torque the connections to values specified on the lugs. If no values are specified on the lugs, refer to the tightening torque label on the rear of the panel dead front.
- Remove breaker dead front cover if installed, and replace it with the cover plate (item 4) provided with this kit. The embossed side of the plate assembles toward the dead front's back. This plate is attached to the dead front by first hooking the tabs on one edge of the plate to one edge of the dead front opening, and then snapping the tabs on the other edge of the plate into place. Apply the "MAIN LUG" label (item 8) as shown (main lug application only).
- Before energizing the panel, ensure that all connections have been torqued and the dead front is installed.
- 7. For installation as Feed thru lugs.** Follow steps (1) through (6) except that the kit must be installed at the feed thru end of the panel and any pre-existing assembly at that location must be removed prior to installation of this kit. In addition, do not install the "MAIN LUG" label.



INSTALLED LUG REFERENCE