






Fuseless motor starter Direct start 600VAC Size S00 1.1-1.6A 24V DC screw connection For snapping onto 60 mm busbar systems Type of coordination 2 IQ = 150 KA Also full fills type Of coordination 1 1NO+1NC (MSP) 1NO (contactor)

product brand name	SIRIUS
product designation	non-fused motor starter 3RA2
design of the product	direct starter
manufacturer's article number	
<ul style="list-style-type: none"> • of the supplied contactor • of the supplied circuit-breakers • of the supplied busbar adapter • of the supplied link module 	3RT2015-1BB41 3RV2011-1AA15 8US1251-5DS10 3RA1921-1DA00
General technical data	
size of the circuit-breaker	S00
size of load feeder	S00
product extension auxiliary switch	Yes
insulation voltage with degree of pollution 3 at AC rated value	690 V
degree of pollution	3
surge voltage resistance rated value	6 kV
shock resistance according to IEC 60068-2-27	6 g / 11 ms
mechanical service life (operating cycles) of contactor typical	30 000 000
type of coordination	2
Net Weight	1.17 kg
Ambient conditions	
ambient temperature	
<ul style="list-style-type: none"> • during operation • during storage • during transport 	-20 ... +60 °C -50 ... +80 °C -55 ... +80 °C
Main circuit	
number of poles for main current circuit	3
design of the switching contact	electromechanical
adjustable current response value current of the current-dependent overload release	1.1 ... 1.6 A
operating voltage	
<ul style="list-style-type: none"> • rated value • at AC-3 rated value maximum 	690 V 690 V
operating frequency rated value	50 ... 60 Hz
operational current at AC-3 at 400 V rated value	1.5 A
operating power at AC-3	
<ul style="list-style-type: none"> • at 400 V rated value • at 500 V rated value • at 690 V rated value 	550 W 550 W 1 100 W
Control circuit/ Control	
control supply voltage at DC rated value	24 V
holding power of magnet coil at DC	4 W
Auxiliary circuit	
number of NC contacts for auxiliary contacts	1
number of NO contacts for auxiliary contacts	2
Protective and monitoring functions	
trip class	CLASS 10
design of the overload release	thermal (bimetallic)
response value current of instantaneous short-circuit trip unit	20.8 A
UL/CSA ratings	

full-load current (FLA) for 3-phase AC motor		
• at 480 V rated value		1.6 A
• at 600 V rated value		1.3 A
yielded mechanical performance [hp]		
• for single-phase AC motor		0.1 hp
— at 230 V rated value		
• for 3-phase AC motor		0.75 hp
— at 460/480 V rated value		
— at 575/600 V rated value		0.75 hp
Short-circuit protection		
product function short circuit protection		Yes
design of the short-circuit trip		magnetic
conditional short-circuit current (I_q)		
• at 690 V according to IEC 60947-4-1 rated value		100 000 A
• at 400 V according to IEC 60947-4-1 rated value		153 000 A
• at 500 V according to IEC 60947-4-1 rated value		100 000 A
Installation/ mounting/ dimensions		
mounting position		vertical
fastening method		for snapping onto 60 mm busbar systems
height		200 mm
width		45 mm
depth		155 mm
required spacing		
• for grounded parts		
— forwards		0 mm
— backwards		0 mm
— upwards		20 mm
— at the side		9 mm
— downwards		10 mm
• for live parts		
— forwards		0 mm
— backwards		0 mm
— upwards		20 mm
— downwards		10 mm
— at the side		9 mm
Connections/ Terminals		
type of electrical connection for main current circuit		screw-type terminals
type of connectable conductor cross-sections for main contacts stranded		0.5 ... 4 mm ² , 2x (0.75 ... 2.5 mm ²)
connectable conductor cross-section for main contacts finely stranded with core end processing		0.5 ... 2.5 mm ²
Safety related data		
proportion of dangerous failures with high demand rate according to SN 31920		73 %
B10 value with high demand rate according to SN 31920		1 000 000
Electrical Safety		
protection class IP on the front according to IEC 60529		IP20
touch protection on the front according to IEC 60529		finger-safe, for vertical contact from the front
Approvals Certificates		
Environment	General Product Approval	For use in hazardous locations
Environmental Conformations	 UL	
	 EG-Konf.	
		 ATEX
Test Certificates	Maritime application	

[Type Test Certificates/Test Report](#)

[Special Test Certificate](#)



Maritime application other



[Confirmation](#)

[Confirmation](#)



Railway Dangerous goods

[Special Test Certificate](#)

[Transport Information](#)

Further information

Information on the packaging

<https://support.industry.siemens.com/cs/ww/en/view/109813875>

Information for data generation and storage

<https://support.industry.siemens.com/cs/ww/en/view/109995012>

Information- and Downloadcenter (Catalogs, Brochures,...)

<https://www.siemens.com/ic10>

Industry Mall (Online ordering system)

<https://mall.industry.siemens.com/mall/en/en/Catalog/product?mlfb=3RA2115-1AD15-1BB4>

Service&Support (Manuals, Certificates, Characteristics, FAQs,...)

<https://support.industry.siemens.com/cs/ww/en/ps/3RA2115-1AD15-1BB4>

Image database (product images, 2D dimension drawings, 3D models, device circuit diagrams, EPLAN macros, ...)

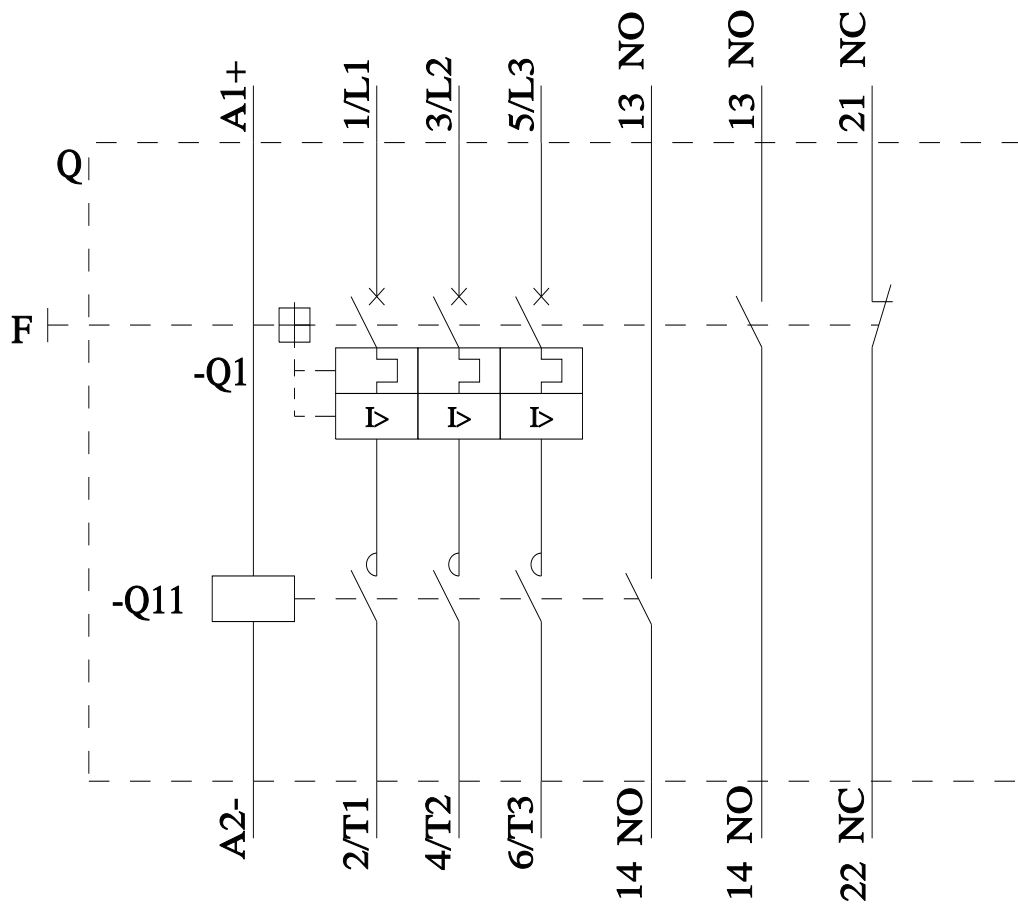
https://www.automation.siemens.com/bilddb/cax_de.aspx?mlfb=3RA2115-1AD15-1BB4&lang=en

Cax online generator

<https://support.automation.siemens.com/WW/CAXorder/default.aspx?lang=en&mlfb=3RA2115-1AD15-1BB4>

Characteristic curves

[https://curves.simaris.siemens.com/curves/<mmp_prod_noCOMP="HAUPT"></mmp_prod_no>](https://curves.simaris.siemens.com/curves/<mmp_prod_noCOMP=)



last modified:

5/7/2026 