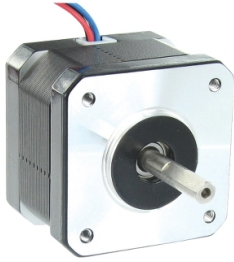


Product datasheet

Specifications



2-phase stepper motor - 0.42 N.m -
shaft Ø5 mm - L=40mm - without
brake - 1.5A

BRS2422A150

Main

Range compatibility	Lexium SD2
Product or component type	Motion control motor
Device short name	BRS2
Motor type	2-phase stepper motor

Complementary

Maximum mechanical speed	1800 rpm
Supply voltage limits	12...48 V DC
Mounting support	Flange
Motor flange size	42.3 mm
Length	40 mm
Number of motor stacks	2
Centring collar diameter	22 mm
Centring collar depth	2.03 mm
Number of mounting holes	4
Mounting holes diameter	3 mm
Circle diameter of the mounting holes	43.84 mm
Electrical connection	Flying lead
Holding brake	Without
Shaft end	Smooth shaft
Second shaft	Without second shaft end
Shaft diameter	5 mm
Shaft length	21.85 mm
Holding torque	0.42 N.m
Rotor inertia	0.057 kg.cm ²
Resolution	200 steps number of full steps per revolution 1.8 ° step angle
[In] rated current	1.5 A
Resistance	2.1 Ohm (winding)

Environment

Ambient air temperature for operation	-25...40 °C
---------------------------------------	-------------

Ambient air temperature for storage	-25...70 °C
Operating altitude	<= 1000 m without power derating
Relative humidity	15...85 % without condensation
IP degree of protection	IP20 conforming to IEC/EN 60034-1
Temperature class	B winding conforming to IEC/EN 60034-1

Packing Units

Unit Type of Package 1	PCE
Number of Units in Package 1	1
Package 1 Height	20 cm
Package 1 Width	25.4 cm
Package 1 Length	32.5 cm
Package 1 Weight	330 g
Unit Type of Package 2	CAR
Number of Units in Package 2	20
Package 2 Height	20 cm
Package 2 Width	25.4 cm
Package 2 Length	32.5 cm
Package 2 Weight	6.607 kg
Unit Type of Package 3	S06
Number of Units in Package 3	160
Package 3 Height	73.5 cm
Package 3 Width	60 cm
Package 3 Length	80 cm
Package 3 Weight	65.856 kg

Contractual warranty

Warranty (in months)	18
-----------------------------	----



Environmental Data

Schneider Electric aims to achieve Net Zero status by 2050 through supply chain partnerships, lower impact materials, and circularity via our ongoing “Use Better, Use Longer, Use Again” campaign to extend product lifetimes and recyclability.

[Environmental Data explained >](#)

[How we assess product sustainability >](#)



Environmental footprint

Total lifecycle Carbon footprint	280 kg CO2 eq.
Carbon footprint of the manufacturing phase [A1 to A3]	1 kg CO2 eq.
Carbon footprint of the distribution phase [A4]	0 kg CO2 eq.
Carbon footprint of the installation phase [A5]	0 kg CO2 eq.
Carbon footprint of the use phase [B2, B3, B4, B6]	279 kg CO2 eq.
Carbon footprint of the end-of-life phase [C1 to C4]	0 kg CO2 eq.

Use Better



Materials and Substances

Packaging made with recycled cardboard	No
Packaging without single use plastic	No
EU RoHS Directive	Compliant By Exemption
REACH Regulation	Free of Substances of Very High Concern above the threshold
PVC free	Yes

Use Longer



Lifetime extension

Repair	No
--------	----

Use Again

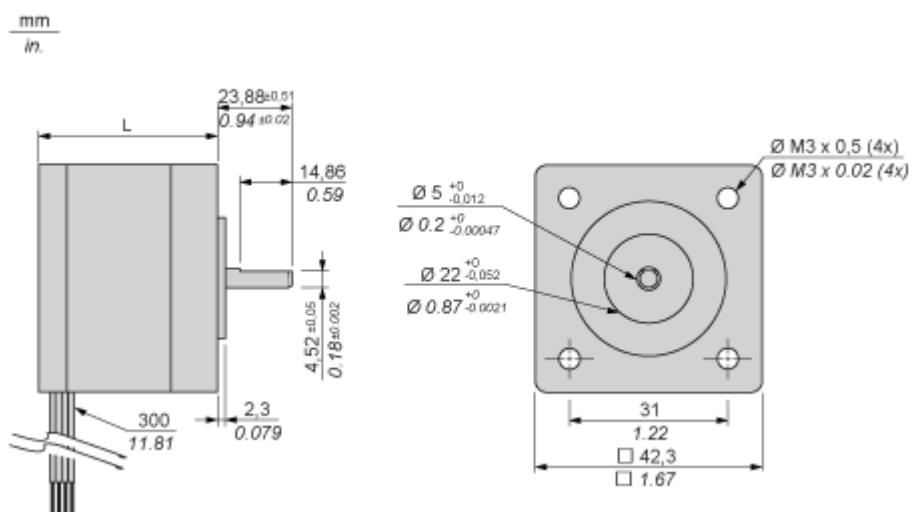


Repack and remanufacture

Take-back	Yes
-----------	-----

Dimensions Drawings

Dimensions



Dimensions in mm

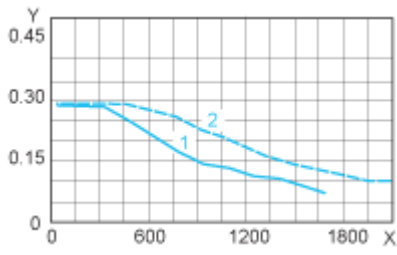
L
40

Dimensions in in.

L
1.57

Performance Curves

Torque Characteristics



X : Speed of rotation in rpm

Y : Torque in Nm

1 : 24 VDC

2 : 48 VDC