

# Product datasheet

Specifications



## TeSys Deca , star delta starter , 3 x 3P (3 NO) , 12 A , 115 V AC coil

LC3D12AFE7

⚠ Discontinued on: May 19, 2023

⚠ Discontinued

### Main

Range	TeSys
Product name	TeSys D
Product or component type	Star delta starter
Device short name	LC3D
Contactors application	Motor control
Utilisation category	AC-3
Device presentation	Pre-wired
Poles description	3 x 3P
power pole contact composition	3 x 3 NO
[Ue] rated operational voltage	Power circuit: <= 690 V AC 25...400 Hz
[Ie] rated operational current	12 A (at <60 °C) at <= 440 V AC AC-3 for power circuit
Motor power kW	11 kW at 380/400 V AC 50/60 Hz 11 kW at 415 V AC 50/60 Hz 11 kW at 440 V AC 50/60 Hz 5.5 kW at 220/230 V AC 50/60 Hz
Control circuit type	AC at 50/60 Hz
[Uc] control circuit voltage	115 V AC 50/60 Hz
Auxiliary contact composition	1 NC for KM1 star contactor
[Uimp] rated impulse withstand voltage	6 kV conforming to IEC 60947
Oversvoltage category	III
[Ui] rated insulation voltage	Power circuit: 690 V conforming to IEC 60947-4-1 Power circuit: 600 V CSA certified Power circuit: 600 V UL certified Signalling circuit: 690 V conforming to IEC 60947-1 Signalling circuit: 600 V CSA certified Signalling circuit: 600 V UL certified
Electrical durability	2 Mcycles 12 A AC-3 at Ue <= 440 V
safety cover	Protective cover
Interlocking type	Mechanical
Mounting support	Plate
Standards	IEC 60947-4-1 CSA C22.2 No 14 EN 60947-5-1 EN 60947-4-1 UL 508 IEC 60947-5-1

<b>Product certifications</b>	RINA GOST LROS (Lloyds register of shipping) DNV UL CCC CSA BV GL
-------------------------------	---

## Complementary

<b>Connections - terminals</b>	Power circuit: screw clamp terminals 1 1...4 mm <sup>2</sup> - cable stiffness: flexible without cable end Power circuit: screw clamp terminals 2 1...4 mm <sup>2</sup> - cable stiffness: flexible without cable end Power circuit: screw clamp terminals 1 1...4 mm <sup>2</sup> - cable stiffness: flexible with cable end Power circuit: screw clamp terminals 2 1...2.5 mm <sup>2</sup> - cable stiffness: flexible with cable end Power circuit: screw clamp terminals 1 1...4 mm <sup>2</sup> - cable stiffness: solid without cable end Power circuit: screw clamp terminals 2 1...4 mm <sup>2</sup> - cable stiffness: solid without cable end Control circuit: screw clamp terminals 1 1...4 mm <sup>2</sup> - cable stiffness: flexible without cable end Control circuit: screw clamp terminals 2 1...4 mm <sup>2</sup> - cable stiffness: flexible without cable end Control circuit: screw clamp terminals 1 1...4 mm <sup>2</sup> - cable stiffness: flexible with cable end Control circuit: screw clamp terminals 2 1...2.5 mm <sup>2</sup> - cable stiffness: flexible with cable end Control circuit: screw clamp terminals 1 1...4 mm <sup>2</sup> - cable stiffness: solid without cable end Control circuit: screw clamp terminals 2 1...4 mm <sup>2</sup> - cable stiffness: solid without cable end
<b>Tightening torque</b>	Power circuit: 1.7 N.m - on screw clamp terminals - with screwdriver flat Ø 6 mm Power circuit: 1.7 N.m - on screw clamp terminals - with screwdriver Philips No 2 Control circuit: 1.7 N.m - on screw clamp terminals - with screwdriver flat Ø 6 mm Control circuit: 1.7 N.m - on screw clamp terminals - with screwdriver Philips No 2
<b>Mechanical durability</b>	15 Mcycles
<b>Maximum operating rate</b>	30 cyc/h 60 °C
<b>Starting time</b>	30 s
<b>Coil technology</b>	Without built-in suppressor module
<b>Control circuit voltage limits</b>	Drop-out: 0.3...0.6 Uc at 50/60 Hz (at <60 °C) Operational: 0.8...1.1 Uc at 50 Hz (at <60 °C) Operational: 0.85...1.1 Uc at 60 Hz (at <60 °C)
<b>Inrush power in VA</b>	70 VA 60 Hz cos phi 0.75 (at 20 °C) 70 VA 50 Hz cos phi 0.75 (at 20 °C)
<b>Hold-in power consumption in VA</b>	7.5 VA 60 Hz cos phi 0.3 (at 20 °C) 7 VA 50 Hz cos phi 0.3 (at 20 °C)
<b>Heat dissipation</b>	2...3 W at 50/60 Hz
<b>Auxiliary contacts type</b>	Mechanically linked conforming to IEC 60947-5-1 3 x 1 NO + 1 NC Mirror contact conforming to IEC 60947-4-1 3 x 1 NC
<b>Signalling circuit frequency</b>	25...400 Hz
<b>Minimum switching current</b>	5 mA for signalling circuit
<b>minimum switching voltage</b>	17 V for signalling circuit
<b>Non-overlap time</b>	1.5 ms on de-energisation between NC and NO contact 1.5 ms on energisation between NC and NO contact
<b>Width</b>	143 mm
<b>Height</b>	124 mm
<b>Depth</b>	143 mm

---

Product weight	1.53 kg
----------------	---------

## Environment

---

Insulation resistance	> 10 MOhm for signalling circuit
-----------------------	----------------------------------

---

IP degree of protection	IP20 front face conforming to IEC 60529
-------------------------	---

---

Climatic withstand	conforming to IACS E10 conforming to IEC 60947-1 Annex Q category D
--------------------	--

---

Protective treatment	TH conforming to IEC 60068-2-30
----------------------	---------------------------------

---

Pollution degree	3
------------------	---

---

Ambient air temperature for storage	-60...80 °C
-------------------------------------	-------------

---

Ambient air temperature for operation	-40...70 °C at U <sub>c</sub>
---------------------------------------	-------------------------------

---

Operating altitude	3000 m without derating
--------------------	-------------------------

---

Fire resistance	850 °C conforming to IEC 60695-2-1
-----------------	------------------------------------

---

Flame retardance	V1 conforming to UL 94
------------------	------------------------

---

Mechanical robustness	Vibrations contactor open: 2 Gn, 5...300 Hz Vibrations contactor closed: 4 Gn, 5...300 Hz Shocks contactor open: 10 Gn for 11 ms Shocks contactor closed: 15 Gn for 11 ms
-----------------------	--

## Packing Units

---

Unit Type of Package 1	PCE
------------------------	-----

---

Number of Units in Package 1	1
------------------------------	---



## Environmental Data

Schneider Electric aims to achieve Net Zero status by 2050 through supply chain partnerships, lower impact materials, and circularity via our ongoing “Use Better, Use Longer, Use Again” campaign to extend product lifetimes and recyclability.

[Environmental Data explained >](#)

[How we assess product sustainability >](#)

### Use Better



#### Materials and Substances

EU RoHS Directive

[Compliant](#)

PVC free

Yes

### Use Longer



#### Lifetime extension

Repair

No

### Use Again



#### Repack and remanufacture

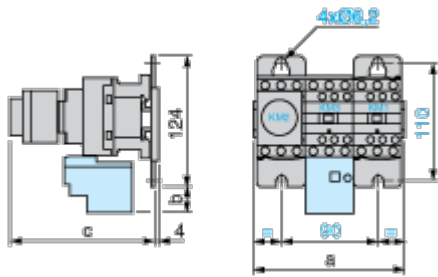
WEEE Label



The product must be disposed on European Union markets following specific waste collection and never end up in rubbish bins

Dimensions Drawings

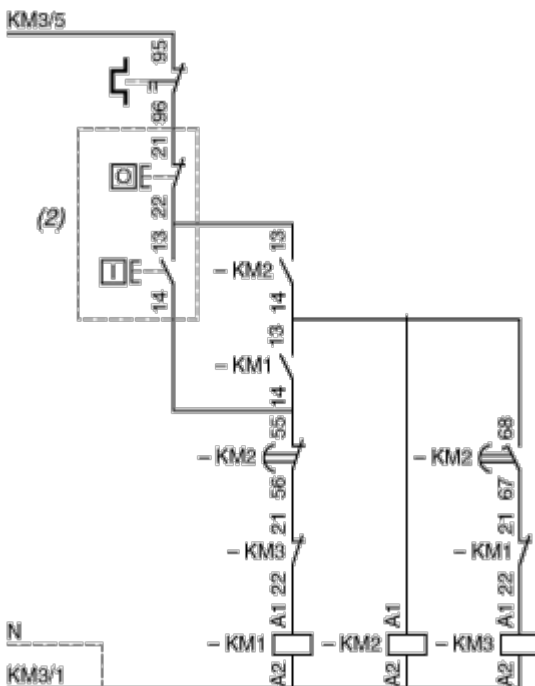
Dimensions



LC3		D09A	D12A	D18A	D32A
<b>a</b>		143	143	144	165
<b>b</b>		26.5	26.5	26.5	32.5
<b>c</b>	with LAD S	139	139	139	145
	with LAD S and sealing cover	143	143	143	149

Connections and Schema

Wiring



- (1) Recommended cabling for reversal of motor rotation (standard motor, viewed from shaft end).
- (2) Remote control.

**NOTE:** LC3 D09A to D18A: Mechanical interlock between KM3 and KM1.

