

Product datasheet

Specifications



Harmony, Miniature plug-in relay, 10 A, 2 CO, with LED, 110 V DC

RXM2NB3FD

⚠ Discontinued on: 15 Aug 2024

⚠ Discontinued

Main

| | |
|-------------------------------|----------------------------------|
| Range of product | Harmony Electromechanical Relays |
| Series name | Miniature |
| Product or component type | Plug-in relay |
| Device short name | RXM |
| [Uc] control circuit voltage | 110 V DC |
| Contacts type and composition | 2 C/O |
| status LED | With |
| Control type | Without lockable test button |

Complementary

| | |
|--|--|
| [Uimp] rated impulse withstand voltage | 3.6 kV during 1.2/50 μ s |
| [Ie] rated operational current | 10 A at 28 V (DC) NO conforming to IEC 10 A at 250 V (AC) NO conforming to IEC 5 A at 28 V (DC) NC conforming to IEC 5 A at 250 V (AC) NC conforming to IEC |
| minimum switching current | 10 mA |
| Minimum switching capacity | 170 mW at 10 mA, 17 V |
| Electrical durability | 100000 cycles for resistive load |
| Rated operational voltage limits | 88...121 V DC |
| [Ui] rated insulation voltage | 250 V conforming to IEC |
| Maximum switching voltage | 250 V AC 28 V DC |
| Drop-out voltage threshold | $\geq 0.1 U_c$ |
| Load current | 10 A at 250 V AC 10 A at 28 V DC |
| Operating time | 20 ms |
| Maximum switching capacity | 2500 VA/280 W |
| Average resistance | 13440 Ohm at 20 °C +/- 10 % |
| Average coil consumption | 1.2 W, DC 1.4 VA, AC |
| Mechanical durability | 10000000 cycles |
| Safety reliability data | B10d = 100000 |
| Operating rate | ≤ 1200 cycles/hour under load ≤ 18000 cycles/hour no-load |

| | |
|-------------------------|--|
| Utilisation coefficient | 20 % |
| CAD overall height | 82.8 mm |
| CAD overall depth | 80.35 mm |
| reset time | 20 ms |
| Dielectric strength | 1000 V AC between contacts with micro disconnection 1800 V AC between coil and contact 1550 V AC between poles |
| Compatibility code | RXM |
| Protection category | RT I |
| Pollution degree | 3 |
| Operating position | Any position |
| Test levels | Level A group mounting |
| Device presentation | Complete product |
| Contacts material | AgNi |
| Shape of pin | Flat |
| Net weight | 0.037 kg |

Environment

| | |
|---------------------------------------|---|
| Ambient air temperature for operation | -40...85 °C |
| IP degree of protection | IP40 conforming to IEC 60529 |
| Standards | IEC 61810-1 |
| Product certifications | CE |
| Ambient air temperature for storage | -40...85 °C |
| Vibration resistance | 3 gn, amplitude = +/- 1 mm (f = 10...150 Hz)without clip 6 gn, amplitude = +/- 1 mm (f = 10...150 Hz)with clip |
| Shock resistance | 10 gn (duration = 11 ms) for without clip 30 gn (duration = 11 ms) for with clip |

Packing Units

| | |
|------------------------------|---------|
| Unit Type of Package 1 | PCE |
| Number of Units in Package 1 | 1 |
| Package 1 Height | 4.6 cm |
| Package 1 Width | 2.75 cm |
| Package 1 Length | 2.08 cm |
| Package 1 Weight | 35 g |
| Unit Type of Package 2 | BB1 |
| Number of Units in Package 2 | 10 |
| Package 2 Height | 3.2 cm |
| Package 2 Width | 10.4 cm |
| Package 2 Length | 12.6 cm |
| Package 2 Weight | 350 g |
| Unit Type of Package 3 | S02 |
| Number of Units in Package 3 | 270 |

| | |
|------------------|--------|
| Package 3 Height | 15 cm |
| Package 3 Width | 30 cm |
| Package 3 Length | 40 cm |
| Package 3 Weight | 9910 g |

Contractual warranty

| | |
|----------------------|----|
| Warranty (in months) | 18 |
|----------------------|----|



Environmental Data

Schneider Electric aims to achieve Net Zero status by 2050 through supply chain partnerships, lower impact materials, and circularity via our ongoing “Use Better, Use Longer, Use Again” campaign to extend product lifetimes and recyclability.

[Environmental Data explained >](#)

[How we assess product sustainability >](#)

Use Better



Materials and Substances

Packaging made with recycled cardboard

Yes

Packaging without single use plastic

Yes

EU RoHS Directive

[Compliant](#)

REACH Regulation

[Free of Substances of Very High Concern above the threshold](#)

Use Longer



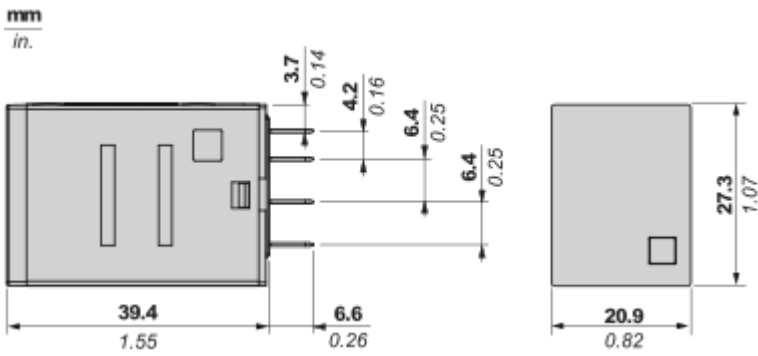
Lifetime extension

Repair

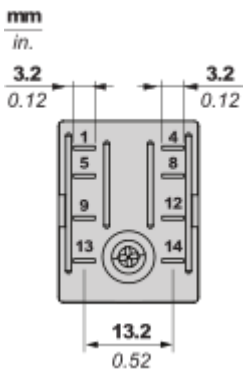
No

Dimensions Drawings

Dimensions



Pin Side View



Connections and Schema

Wiring Diagram

