

Product datasheet

Specifications



PLC clock synchronization module -1 discrete input - DCF signal

140DCF07700

⚠ Discontinued on: 26 Aug 2022

⚠ End-of-service on: 31 Dec 2023

⚠ Discontinued - Service only

Price: 31,815.00 ZAR

Main

Range of product	Modicon Quantum automation platform
Product or component type	PLC clock synchronization module
Processor name	80C32-25

Complementary

Function of module	Time and date stamping of events Time based tables Periodic time and date stamping of process values
Discrete input number	1
Discrete input type	DCF signal
Input voltage	24 V DC
Insulation	Optocoupler
Clock frequency	221184 MHz
Memory type	Flash 128 kB for the program and the firmware RAM 2 kB for the DPM RAM 256 kB for data and the program
Local signalling	1 LED (green) for communication on the bus (Active) 1 LED (red) for fault (F) 1 LED (green) for module running (R) 1 LED (green) for reception of date/time, flashes in time with the input signal (DCF77) 1 LED (red) for no synchronization with time receiver signal (ERROR 2) 1 LED (red) for no synchronization with time receiver signal since 60 minutes (ERROR 1) 1 LED (yellow) for synchronization with time receiver signal (STATUS)
Electrical connection	1 connector plug-in 6 screw terminals
Current consumption	30 mA at 24 V DC 300 mA at 5 V DC internal via the system bus
Net weight	0.45 kg

Environment

Resistance to electrostatic discharge	4 kV contact conforming to IEC 801-2 8 kV on air conforming to IEC 801-2
Resistance to electromagnetic fields	10 V/m 80...2000 MHz conforming to IEC 801-3
Ambient air temperature for operation	0...60 °C
Ambient air temperature for storage	-40...85 °C
Relative humidity	95 % without condensation

Excluding VAT and subject to change. Please check with your local distributor through "Where to buy"

Operating altitude	<= 5000 m
Standards	UL 508 HazLoc
Product certifications	RRS C-Tick CSA Class 1 Division 2 UL GL GOST DNV LR RINA ABS

Packing Units

Unit Type of Package 1	PCE
Number of Units in Package 1	1
Package 1 Height	5.0 cm
Package 1 Width	15.8 cm
Package 1 Length	30.5 cm
Package 1 Weight	496.0 g

Contractual warranty

Warranty (in months)	18
-----------------------------	----



Environmental Data

Schneider Electric aims to achieve Net Zero status by 2050 through supply chain partnerships, lower impact materials, and circularity via our ongoing “Use Better, Use Longer, Use Again” campaign to extend product lifetimes and recyclability.

[Environmental Data explained >](#)

[How we assess product sustainability >](#)

Use Longer



Lifetime extension

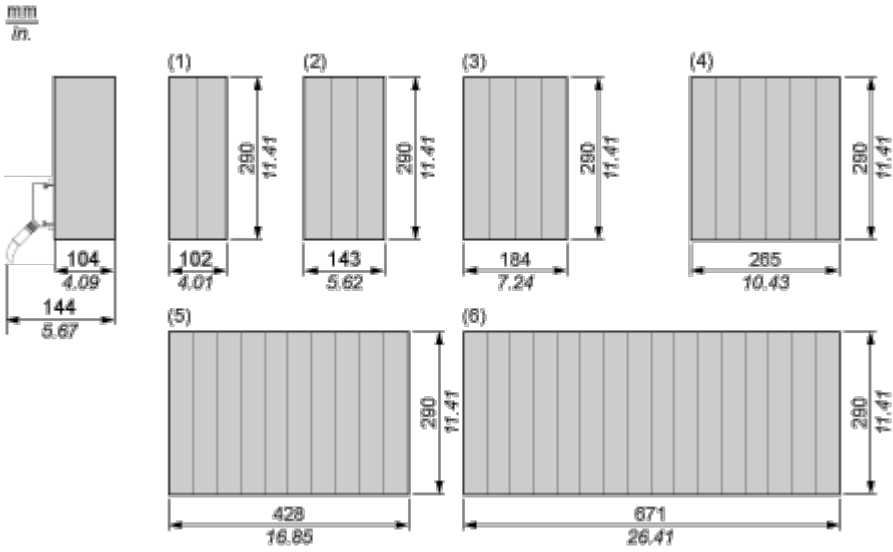
Repair

No

Dimensions Drawings

Racks for Modules Mounting

Dimensions of Modules and Racks



- (1) 2 slots
- (2) 3 slots
- (3) 4 slots
- (4) 6 slots
- (5) 10 slots
- (6) 16 slots

Connections and Schema

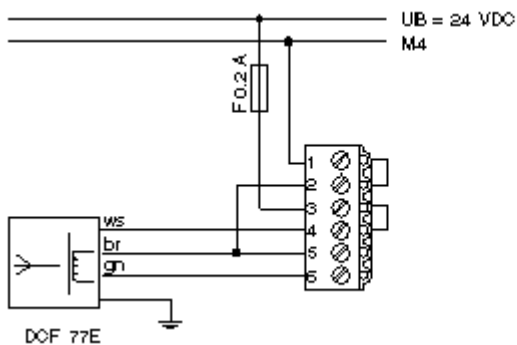
Clock Module

Connecting the Time Receiver Interface to the Clock Module

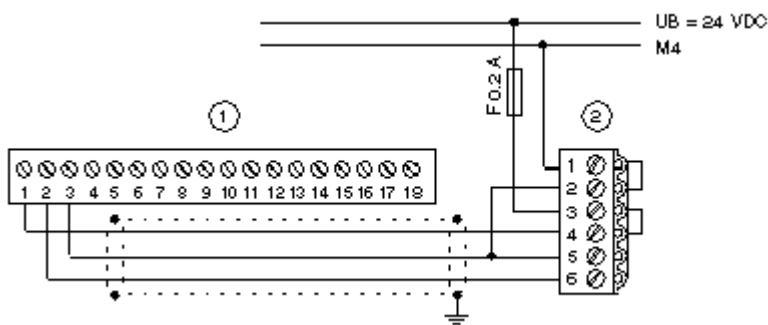
Terminal No.	Signal	Remarks
1	0 V	bridged with terminal 2
2	0 V	bridged with terminal 1
3	Supply voltage 24 VDC	bridged with terminal 4
4	Supply for external time receiver	bridged with terminal 3
5	0 V	
6	Time signal from time receiver	

NOTE: Several clock modules can be connected to a time receiver. The clock module places a load on the time receiver of approximately 5 mA.

Connecting the Time Receiver DCF77E to the terminal block of the clock module



Connecting the Time Receiver 470GPS00100 to the clock module



- 1 Connection terminals of the 470GPS00100
- 2 Terminal blocks of the clock module