

# Product datasheet

Specifications



## passive filter, Altivar, 316A, 400V, 50Hz, for variable speed drive

VW3A46135

### Main

Product or component type	Passive filter
Product specific application	Reduction of current harmonics

### Complementary

Range compatibility	Altivar 71 Altivar Process ATV900 Altivar 61 Altivar Process ATV600
[Us] rated supply voltage	400 V +/- 10 %
power supply frequency	50 Hz +/- 2 %
Quantity per drive	2 filters per drive for variable speed drive ATV61H motor: 280 kW/450 hp 2 filters per drive for variable speed drive ATV61Q motor: 280 kW/450 hp 1 filter per drive for variable speed drive ATV630 wall mount, motor: 132 kW/200 hp 1 filter per drive for variable speed drive ATV930 wall mount, motor: 132 kW/200 hp 1 filter per drive for variable speed drive ATV61H motor: 160 kW/250 hp 2 filters per drive for variable speed drive ATV61H motor: 355 kW 1 filter per drive for variable speed drive ATV71H motor: 160 kW/250 hp 2 filters per drive for variable speed drive ATV71H motor: 315 kW/500 hp 2 filters per drive for variable speed drive ATV71H motor: 355 kW 1 filter per drive for variable speed drive ATV61Q motor: 160 kW/250 hp 2 filters per drive for variable speed drive ATV61Q motor: 355 kW 1 filter per drive for variable speed drive ATV71Q motor: 160 kW/250 hp 2 filters per drive for variable speed drive ATV71Q motor: 315 kW/500 hp 2 filters per drive for variable speed drive ATV71Q motor: 355 kW
[In] rated current	304 A for input 316 A for output
Network number of phases	3 phases
THDI	5 % for variable speed drive ATV61H motor: 280 kW/450 hp 5 % for variable speed drive ATV61Q motor: 280 kW/450 hp 5 % for variable speed drive ATV61H motor: 160 kW/250 hp 5 % for variable speed drive ATV61H motor: 355 kW 5 % for variable speed drive ATV71H motor: 160 kW/250 hp 5 % for variable speed drive ATV71H motor: 315 kW/500 hp 5 % for variable speed drive ATV71H motor: 355 kW 5 % for variable speed drive ATV61Q motor: 160 kW/250 hp 5 % for variable speed drive ATV61Q motor: 355 kW 5 % for variable speed drive ATV71Q motor: 160 kW/250 hp 5 % for variable speed drive ATV71Q motor: 315 kW/500 hp 5 % for variable speed drive ATV71Q motor: 355 kW 5 % for variable speed drive ATV630 motor: 132 kW/200 hp 5 % for variable speed drive ATV930 motor: 132 kW/200 hp
Max current	1.5 x nominal current (duration = 60 s)
Efficiency	98 %
Thermal losses	1288 W
Cos phi	1 (150 % of line current) 0.85 (75 % of line current) 0.99 (100 % of line current)

<b>Electrical connection</b>	A, B terminal, connection capacity: 2.5 mm <sup>2</sup> X1-1...X2-3 terminal, connection capacity: 25...300 mm <sup>2</sup>
<b>Electrical insulation class</b>	Class F
<b>Product weight</b>	221 kg

## Environment

<b>IP degree of protection</b>	IP20 IP55 (enclosure mounting)
<b>Vibration resistance</b>	2 mm peak to peak (f= 5...13.2 Hz) conforming to IEC 60068-2-6 0.7 gn (f= 13.2...150 Hz) conforming to IEC 60068-2-6
<b>Relative humidity</b>	5...85 % without condensation
<b>Ambient air temperature for operation</b>	45...60 °C (with current derating 3 % per °C) 5...45 °C (without current derating)
<b>Ambient air temperature for storage</b>	-25...55 °C storage in original packaging -25...65 °C during transport
<b>Operating altitude</b>	<= 1000 m without current derating > 1000...4000 m with current derating 5 % per 1000 m
<b>Standards</b>	IEC 61000-3-4 G5/4 engineering recommendation IEC 61000-3-12 IEC 61000-2-2 IEC 61000-3-2 IEC 61000-2-4

## Packing Units

<b>Unit Type of Package 1</b>	PCE
<b>Number of Units in Package 1</b>	1
<b>Package 1 Height</b>	71.000 cm
<b>Package 1 Width</b>	80.000 cm
<b>Package 1 Length</b>	120.000 cm
<b>Package 1 Weight</b>	245.6 kg

## Contractual warranty

<b>Warranty (in months)</b>	18
-----------------------------	----



## Environmental Data

Schneider Electric aims to achieve Net Zero status by 2050 through supply chain partnerships, lower impact materials, and circularity via our ongoing “Use Better, Use Longer, Use Again” campaign to extend product lifetimes and recyclability.

[Environmental Data explained >](#)

[How we assess product sustainability >](#)

### Use Better



#### Materials and Substances

Packaging made with recycled cardboard	No
Packaging without single use plastic	No
EU RoHS Directive	<a href="#">Compliant</a>

### Use Longer



#### Lifetime extension

Repair	No
--------	----

### Use Again

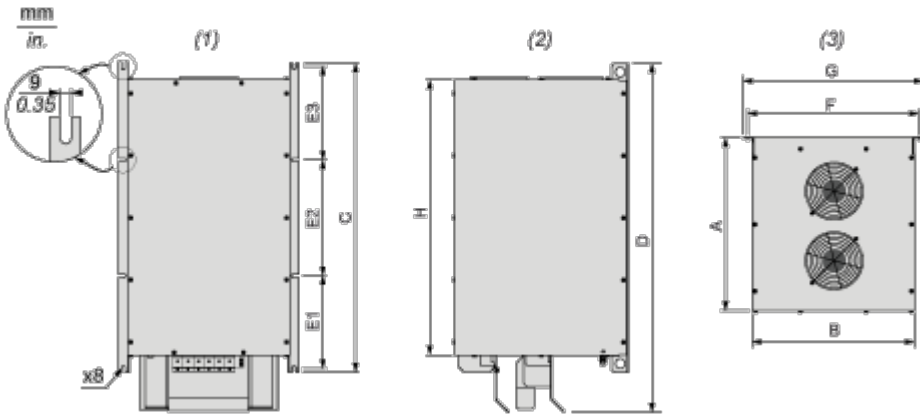


#### Repack and remanufacture

Take-back	No
-----------	----

Dimensions Drawings

Dimensions



- (1) Front view
- (2) Right side view
- (3) Top view

Dimensions in mm

A	B	C	D	E1	E2	E3	F	G	H
510	420	800	900.06	240	300	240	443	468	713

Dimensions in in.

A	B	C	D	E1	E2	E3	F	G	H
20.00	16.54	31.50	35.43	9.45	11.81	9.45	17.44	18.43	28.07

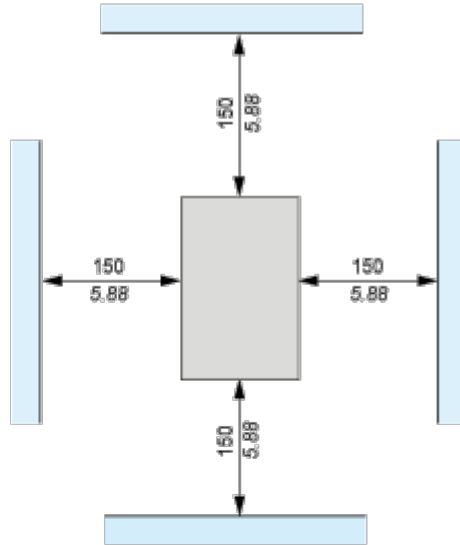
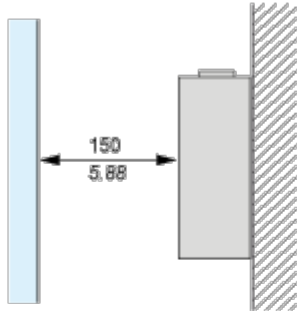
Mounting and Clearance

Mounting Recommendations

---

Vertical Mounting Only

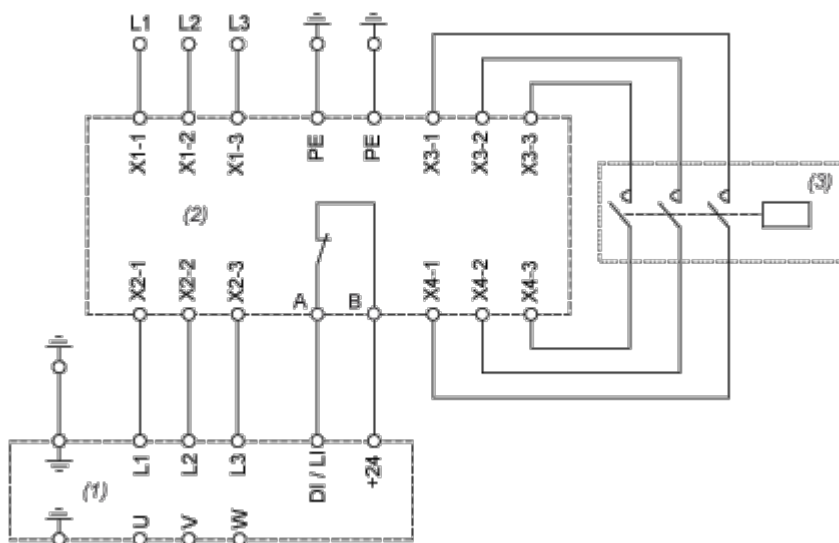
mm  
in.



(1) Filter

Connections and Schema

Recommended Schema



- (1) Drive
- (2) Filter
- (3) Optional