



Cable release for reset 0.6 m for 3RU11/3RB20/3RB21 Size S00...S3 !!! Phased-out product !!! Successor is SIRIUS 3RU2 Preferred successor type is >>3RU2900-1C or >>3RB3980-0C<<

product brand name	SIRIUS
product designation	cable release with holder for RESET
design of the product	600 mm long
<b>General technical data</b>	
size of overload relay	S00, S0, S2, S3
Substance Prohibitation (day/month/year)	07/01/2006
Net Weight	0.077 kg
<b>Ambient conditions</b>	
ambient temperature	
• during operation	-20 ... +70 °C
• during storage	-50 ... +80 °C
<b>Approvals Certificates</b>	

Environment	General Product Approval	Test Certificates
-------------	--------------------------	-------------------

[Environmental Confirmations](#)



[Type Test Certificates/Test Report](#)

Maritime application	other
----------------------	-------



[Confirmation](#)



**Further information**

Information on the packaging

<https://support.industry.siemens.com/cs/ww/en/view/109813875>

Information for data generation and storage

<https://support.industry.siemens.com/cs/ww/en/view/109995012>

Information- and Downloadcenter (Catalogs, Brochures,...)

<https://www.siemens.com/ic10>

Industry Mall (Online ordering system)

<https://mall.industry.siemens.com/mall/en/en/Catalog/product?mlfb=3RU1900-1C>

Cax online generator

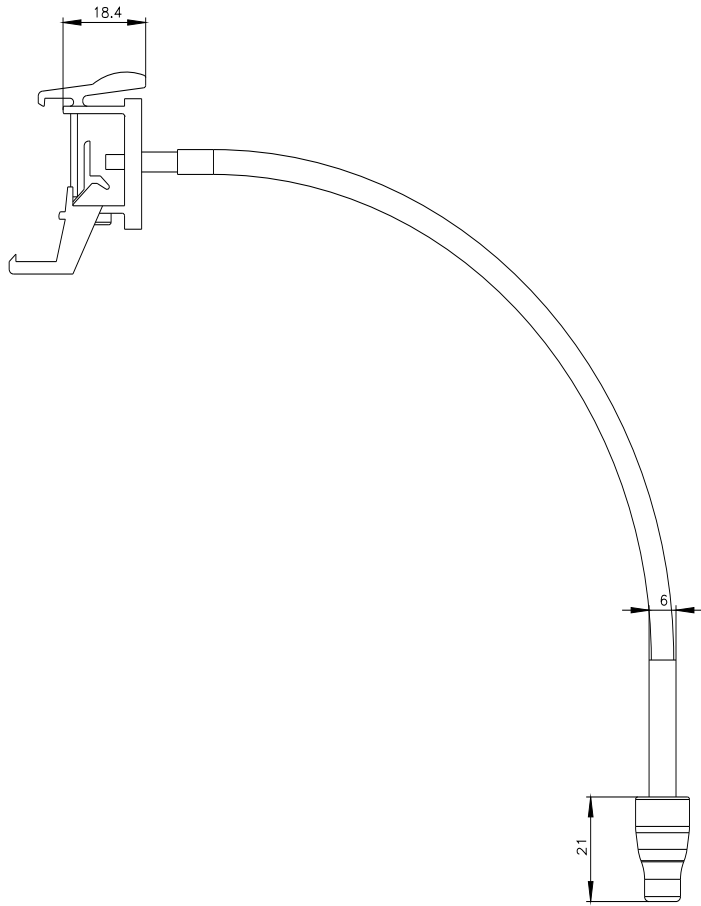
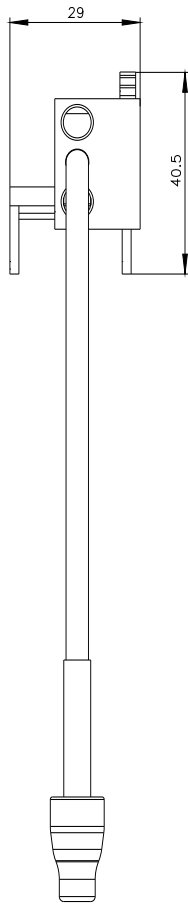
<https://support.automation.siemens.com/WW/CAXorder/default.aspx?lang=en&mlfb=3RU1900-1C>

Service&Support (Manuals, Certificates, Characteristics, FAQs,...)

<https://support.industry.siemens.com/cs/ww/en/ps/3RU1900-1C>

Image database (product images, 2D dimension drawings, 3D models, device circuit diagrams, EPLAN macros, ...)

[https://www.automation.siemens.com/bilddb/cax\\_de.aspx?mlfb=3RU1900-1C&lang=en](https://www.automation.siemens.com/bilddb/cax_de.aspx?mlfb=3RU1900-1C&lang=en)



---

last modified:

4/2/2025 