



magnetically operated switch contact block rectangular small 25 x 33 mm, 1 NO+1 NC, 25 m cable

Figure similar

product brand name	SIRIUS
product designation	Magnetically operated switch
design of the product	Rectangular sensor unit
product type designation	3SE66
suitability for use safety-related circuits	Yes
General technical data	
product function	
• positive opening	No
• cross-circuit/short-circuit recognition	Yes
type of voltage of the operating voltage	DC
protection class IP	IP67
shock resistance according to IEC 60068-2-27	Sinusoidal half-wave 30 g / 11 ms
vibration resistance according to IEC 60068-2-6	10 ... 55 Hz: 1 mm
Substance Prohibitance (day/month/year)	07/01/2006
Net Weight	0.919 kg
height of the sensor	13 mm
length of the sensor	33 mm
width of the sensor	25 mm
material of the active sensor area	plastic
Ambient conditions	
ambient temperature during operation	-25 ... +70 °C
Control circuit/ Control	
type of voltage	DC
operating voltage rated value	24 V
operational current rated value	100 mA
operating power rated value	1 W
number of NC contacts for auxiliary contacts	1
number of NO contacts for auxiliary contacts	1
Enclosure	
design of the housing	block
material of the enclosure	plastic
material of cable sheath	PVC
Actuator	
design of the actuating element	magnet
Display	
evaluation unit required	yes
Contact	
circuit principle	reed switches

switching frequency	5 Hz
assured operating distance OFF	14 mm
assured operating distance ON	4 mm
design of the switching function	NC contact and NO contact

Installation/ mounting/ dimensions

fastening method	screw fixing
------------------	--------------

Connections/ Terminals

type of electrical connection	cable 25 m
wire length	25 m

Inputs/ Outputs

type of switching output	Reed contacts
--------------------------	---------------

Safety related data

category according to EN 954-1	4
ISO 13849	
performance level (PL) according to EN ISO 13849-1	e
IEC 61508	
Safety Integrity Level (SIL) according to IEC 61508	3

Approvals Certificates

General Product Approval	EMV	Functional Safety
--------------------------	-----	-------------------



[Miscellaneous](#)

other	Environment
-------	-------------

[Confirmation](#)

[Confirmation](#)



[Environmental Confirmations](#)

Further information

Information on the packaging

<https://support.industry.siemens.com/cs/ww/en/view/109813875>

Information for data generation and storage

<https://support.industry.siemens.com/cs/ww/en/view/109995012>

Information- and Downloadcenter (Catalogs, Brochures,...)

<https://www.siemens.com/ic10>

Industry Mall (Online ordering system)

<https://mall.industry.siemens.com/mall/en/en/Catalog/product?mlfb=3SE6605-3BA25>

Cax online generator

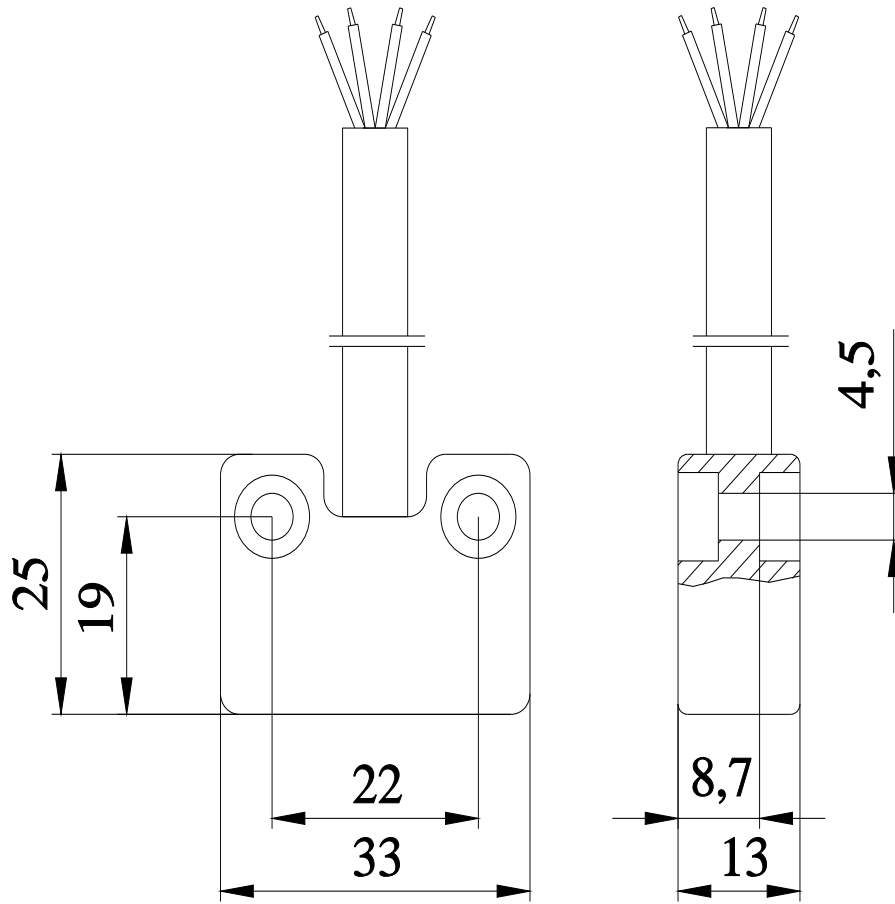
<https://support.automation.siemens.com/WW/CAXorder/default.aspx?lang=en&mlfb=3SE6605-3BA25>

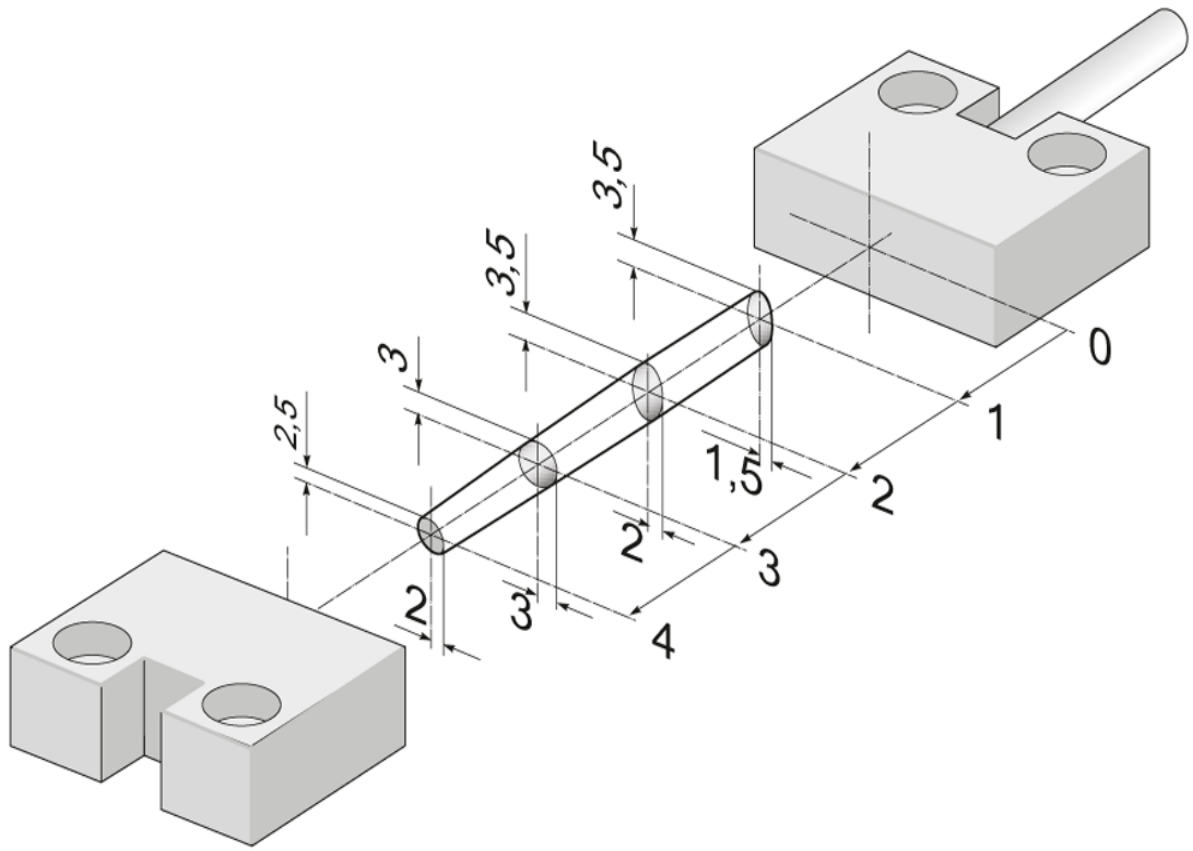
Service&Support (Manuals, Certificates, Characteristics, FAQs,...)

<https://support.industry.siemens.com/cs/ww/en/ps/3SE6605-3BA25>

Image database (product images, 2D dimension drawings, 3D models, device circuit diagrams, EPLAN macros, ...)

https://www.automation.siemens.com/bilddb/cax_de.aspx?mlfb=3SE6605-3BA25&lang=en





$$s_{a0} = 4 \text{ mm}$$

$$s_{ar} = 14 \text{ mm}$$

last modified:

4/4/2026 