

# Product datasheet

Specifications



Circuit breaker, GoPact MCCB 800, 4 poles, 70kA at 415VAC, 800A, ETU trip unit, adjustable thermal protection, up to 50°C

G80H4E800

**Price: 25,082.34 ZAR**

## Main

Range of product	GoPact MCCB
Product or component type	Circuit breaker
Product name	GoPact MCCB 800
Device application	Distribution
Poles description	4P
Protected poles description	4D
Neutral position	Left
[In] rated current	800 A at 40 °C 800 A at 50 °C
[Ue] rated operational voltage	415 V AC 50/60 Hz conforming to EN/IEC 60947-2
Suitability for isolation	Yes conforming to EN/IEC 60947-2
Utilisation category	Category A
[Icu] rated ultimate short-circuit breaking capacity	70 kA Icu at 380/415 V AC 50/60 Hz conforming to EN/IEC 60947-2 80 kA Icu at 220/230 V AC 50/60 Hz conforming to EN/IEC 60947-2
Performance level	H 70 kA 380/415 V AC
Trip unit name	ETU
Trip unit technology	Electronic
Trip unit protection functions	LSI
Control type	Toggle
Circuit breaker mounting mode	Fixed

## Complementary

[Ui] rated insulation voltage	440 V AC conforming to EN/IEC 60947-2
[Uimp] rated impulse withstand voltage	8 kV conforming to EN/IEC 60947-2
[Ics] rated service short-circuit breaking capacity	70 kA at 380/415 V AC 50/60 Hz conforming to EN/IEC 60947-2 80 kA at 220/230 V AC 50/60 Hz conforming to EN/IEC 60947-2
Mechanical durability	15000 cycles
Electrical durability	3000 cycles at 415 V In
Power dissipation per pole	60 W
Mounting support	Backplate
Mounting position	Horizontal and vertical Flat on the back
Upside connection	Front

Excluding VAT and subject to change. Please check with your local distributor through "Where to buy"

Downside connection	Front
Connection terminals	screw terminals
Connection pitch	60 mm
Protection type	L : for overload protection (thermal) S : for short time short-circuit protection I : for instantaneous short-circuit protection
Trip unit rating	800 A at 40 °C 800 A at 50 °C
Long-time pick-up adjustment type Ir (thermal protection)	Adjustable
[Ir] long-time protection pick-up adjustment range	0.25...1 x In
Long-time protection delay adjustment type tr	Fixed
Short-time protection pick-up adjustment type Isd	Adjustable
[Isd] Short-time protection pick-up adjustment range	1.5...8 x Ir
Short-time protection delay adjustment type tsd	Fixed
Instantaneous protection pick-up adjustment type Ii	Adjustable
[Ii] instantaneous protection pick-up adjustment range	1.5...8 x In
Neutral protection settings	1 x Ir (4D)
Width (W)	240 mm
Height (H)	250 mm
Depth (D)	105 mm
Net weight	8.9 kg
Colour	Grey (RAL 7035)

## Environment

Standards	EN/IEC 60947-1 EN/IEC 60947-2 EN/IEC 60947-2 Annex H
Overvoltage category	III
Pollution degree	3 conforming to IEC 60664-1
IP degree of protection	IP20 conforming to IEC 60529
Ambient air temperature for operation	-20...55 °C
Ambient air temperature for storage	-35...85 °C
Operating altitude	0...2000 m without derating 2000...5000 m with derating

## Packing Units

Unit Type of Package 1	PCE
Number of Units in Package 1	1
Package 1 Height	18 cm
Package 1 Width	27 cm
Package 1 Length	29 cm
Package 1 Weight	12350 g
Unit Type of Package 2	P06

---

<b>Number of Units in Package 2</b>	12
<b>Package 2 Height</b>	105 cm
<b>Package 2 Width</b>	60 cm
<b>Package 2 Length</b>	80 cm
<b>Package 2 Weight</b>	161.992 kg

---

## **Contractual warranty**

---

<b>Warranty (in months)</b>	18
-----------------------------	----



## Environmental Data

Schneider Electric aims to achieve Net Zero status by 2050 through supply chain partnerships, lower impact materials, and circularity via our ongoing “Use Better, Use Longer, Use Again” campaign to extend product lifetimes and recyclability.

[Environmental Data explained >](#)

[How we assess product sustainability >](#)



### Environmental footprint

Total lifecycle Carbon footprint	2 191 kg CO2 eq.
Environmental Disclosure	<a href="#">Product Environmental Profile</a>
Carbon footprint of the manufacturing phase [A1 to A3]	42 kg CO2 eq.
Carbon footprint of the distribution phase [A4]	8 kg CO2 eq.
Carbon footprint of the installation phase [A5]	2 kg CO2 eq.
Carbon footprint of the use phase [B2, B3, B4, B6]	2 125 kg CO2 eq.
Carbon footprint of the end-of-life phase [C1 to C4]	14 kg CO2 eq.

## Use Better



### Materials and Substances

Packaging made with recycled cardboard	Yes
Packaging without single use plastic	No, we have minimized the use of plastic in the packaging in compliance with regulations and considering quality and safety standards
<a href="#">EU RoHS Directive</a>	Compliant
SCIP Number	15949af7-fae7-4b1c-88e4-14f1940ad597
REACH Regulation	<a href="#">REACH Declaration</a>
Halogen-free status	Halogen free plastic parts product
PVC free	Yes
Silicone-free	Yes

## Use Longer



### Lifetime extension

Repair	No
--------	----

## Use Again



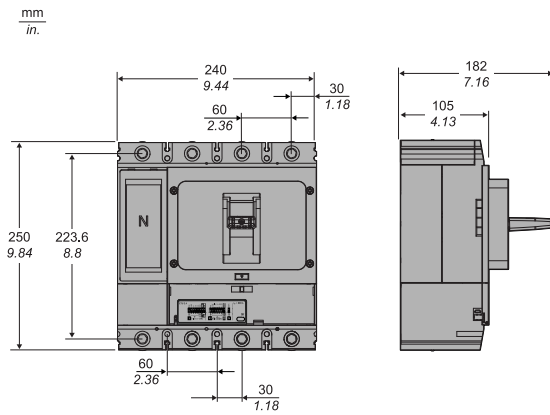
### Repack and remanufacture

Recyclability potential, in %	48
End of life manual availability	<a href="#">End of Life Information</a>
Take-back	No

Technical Illustration

Dimensions

---



Offer Marketing Illustration

Product benefits / Features

---

## GoPact MCCB

### Technical Benefits



- Complete range from 16 to 800 A
- Complete portfolio of accessories: Electrical auxiliaries, Insulation auxiliaries, Connection accessories, Control accessories, Internal accessories.
- GoPact MTS range covers ratings from 63A to 2000A in 6 frame sizes.
- Built-in trip unit
- Sufficient pole pitch helps to terminate copper busbars or cables
- It has a good price-performance ratio for simple applications and delivers a reliable electrical solution for your applications.
- Schneider Electric performance, quality, and warranty

Offer Marketing Illustration

Product benefits / Features

---



## GoPact MCCB Range Accessories



Rotary handles



Auxiliary contact



Terminal extensions



MN undervoltage release



Rear connectors



Short terminal shield



Plug in conversion kit



Plug in base



Interphase barrier



Bare cable connector

Offer Marketing Illustration

Product benefits / Features

---

## GoPact MCCB Technical Features



Offer Marketing Illustration

Product benefits / Features

---

## GoPact MCCB

### Molded Case Circuit Breakers



#### Affordable

Multiple choices are available between current rating and tripping technology, enabling you to optimize the purchase vs. performance cost.



#### Reliable Performance

Robust breaker for an enduring mechanical and electrical life.



#### Available Everywhere

Accessible both in distributor stores and across various e-commerce platforms.

Offer Marketing Illustration

Product benefits / Features

---

## GoPact MCCB

### Molded Case Circuit Breakers



#### Affordable

Multiple choices are available between current rating and tripping technology, enabling you to optimize the purchase vs. performance cost.



#### Reliable Performance

Robust breaker for an enduring mechanical and electrical life.



#### Available Everywhere

Accessible both in distributor stores and across various e-commerce platforms.

