

# Product data sheet

Specifications



## Photoelectric sensors XU, ultrasonic sensor label fork 60x3, 12...24 V DC, PNP NO/NC connect M8

XUVU06M3PSNM8

### Main

Range of product	Telemecanique Photoelectric sensors XU
Series name	Application packaging
Electronic sensor type	Photo-electric sensor
Sensor name	XUV
Sensor design	Fork
Detection system	Thru beam
Emission	Ultrasonic
Type of setting	With
Passage width	0.12 in (3 mm)
Passage depth	2.72 in (69 mm)
Material	Metal
Supply circuit type	DC
Wiring technique	4-wire
Discrete output type	PNP
Discrete output function	1 NO or 1 NC programmable
Electrical connection	1 male connector M8, 4 pins
Product specific application	Detection of transparent labels
[Sn] nominal sensing distance	0.12 in (3 mm) thru beam

### Complementary

Setting-up	Numeric potentiometer
Enclosure material	Zinc alloy
Lens material	PC
Accuracy	+/- 0.20 mm 120 m/min
Minimum label length	0.08 in (2 mm)
Minimum distance between labels	0.08 in (2 mm)
Maximum passing speed of object	180 m/min
Type of output signal	Discrete

<b>Output type</b>	Solid state
<b>Status LED</b>	Output state 1 LED yellow) Adjustment mode and keypad locking 1 LED red)
<b>[Us] rated supply voltage</b>	12...24 V DC reverse polarity protection
<b>Supply voltage limits</b>	10...30 V DC
<b>Switching capacity in mA</b>	<= 100 mA overload and short-circuit protection)
<b>Switching frequency</b>	<= 1500 Hz
<b>Maximum voltage drop</b>	<2 V closed state)
<b>Maximum delay first up</b>	30 ms
<b>Maximum delay response</b>	0.3 ms
<b>Maximum delay recovery</b>	0.3 ms
<b>Depth</b>	1.85 in (47 mm)
<b>Height</b>	3.64 in (92.5 mm)
<b>Width</b>	0.71 in (18 mm)
<b>Net weight</b>	0.29 lb(US) (0.13 kg)

## Environment

<b>Product certifications</b>	CE cULus
<b>Ambient air temperature for operation</b>	41...131 °F (5...55 °C)
<b>Ambient air temperature for storage</b>	-4...158 °F (-20...70 °C)
<b>Vibration resistance</b>	7 gn +/- 1.5 mm 10...55 Hz) IEC 60068-2-6
<b>Shock resistance</b>	30 gn 11 ms) IEC 60068-2-27
<b>IP degree of protection</b>	IP65 IEC 60529

## Packing Units

<b>Unit Type of Package 1</b>	PCE
<b>Number of Units in Package 1</b>	1
<b>Package 1 Height</b>	1.42 in (3.6 cm)
<b>Package 1 Width</b>	5.04 in (12.8 cm)
<b>Package 1 Length</b>	2.83 in (7.2 cm)
<b>Package 1 Weight</b>	5.71 oz (162.0 g)
<b>Unit Type of Package 2</b>	S01
<b>Number of Units in Package 2</b>	15
<b>Package 2 Height</b>	5.91 in (15.0 cm)
<b>Package 2 Width</b>	5.91 in (15.0 cm)
<b>Package 2 Length</b>	15.75 in (40.0 cm)
<b>Package 2 Weight</b>	5.77 lb(US) (2.616 kg)

## Offer Sustainability

<b>REACH Regulation</b>	<a href="#">REACH Declaration</a>
<b>EU RoHS Directive</b>	Pro-active compliance (Product out of EU RoHS legal scope) <a href="#">EU RoHS Declaration</a>
<b>Mercury free</b>	Yes

---

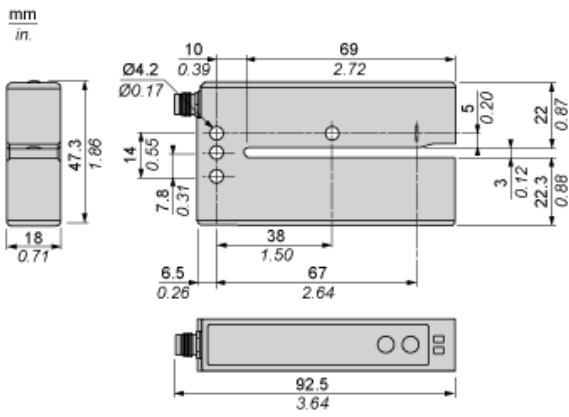
RoHS exemption information      Yes

### Contractual warranty

---

Warranty      18 months

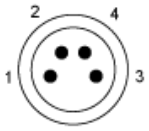
Dimensions



**Wiring Schemes**

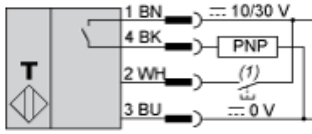
---

**Connector**



- 1 : BN: Brown
- 2 : WH: White (remote teaching)
- 3 : BU: Blue
- 4 : BK: Black)

**PNP Function**



- (1) Remote teaching

**Recommended replacement(s)**