

Product datasheet

Specifications



AC servo motor BSH - 2.83 N.m - 6000 rpm - keyed shaft - without brake - IP65

BSH0703T31A2A

⚠ Discontinued on: 9 Feb 2023

⚠ Discontinued

EAN Code: 3389118137691

Main

Device short name	BSH
Product or component type	Servo motor
Maximum mechanical speed	8000 rpm
Continuous stall torque	2.8 N.m for LXM05AD28M2, 200...240 V, single phase 2.8 N.m for LXM05BD28M2, 200...240 V, single phase 2.8 N.m for LXM05CD28M2, 200...240 V, single phase 2.6 N.m for LXM32.D18M2 at 6 A, 230 V, single phase 2.83 N.m for LXM15LD28M3, 230 V, three phase 2.8 N.m for LXM05AD28F1 at 6 A, 110...120 V, single phase 2.8 N.m for LXM05AD42M3X, 200...240 V, three phase 2.8 N.m for LXM05BD28F1, 110...120 V, single phase 2.8 N.m for LXM05BD42M3X, 200...240 V, three phase 2.8 N.m for LXM05CD28F1, 110...120 V, single phase 2.8 N.m for LXM05CD42M3X, 200...240 V, three phase
Peak stall torque	7.38 N.m for LXM05AD28F1, 110...120 V, single phase 7.38 N.m for LXM05AD28M2, 200...240 V, single phase 7.38 N.m for LXM05BD28F1, 110...120 V, single phase 7.38 N.m for LXM05BD28M2, 200...240 V, single phase 7.38 N.m for LXM05CD28F1, 110...120 V, single phase 7.38 N.m for LXM05CD28M2, 200...240 V, single phase 7.4 N.m for LXM32.D18M2 at 6 A, 230 V, single phase 7.38 N.m for LXM15LD28M3, 230 V, three phase 10.25 N.m for LXM05AD42M3X at 6 A, 200...240 V, three phase 10.25 N.m for LXM05BD42M3X, 200...240 V, three phase 10.25 N.m for LXM05CD42M3X, 200...240 V, three phase
Nominal output power	750 W for LXM05AD28M2, 200...240 V, single phase 750 W for LXM05BD28M2, 200...240 V, single phase 750 W for LXM05CD28M2, 200...240 V, single phase 750 W for LXM05AD28F1, 110...120 V, single phase 750 W for LXM05BD28F1, 110...120 V, single phase 750 W for LXM05CD28F1, 110...120 V, single phase 900 W for LXM32.D18M2 at 6 A, 230 V, single phase 1250 W for LXM15LD28M3, 230 V, three phase 750 W for LXM05AD42M3X at 6 A, 200...240 V, three phase 750 W for LXM05BD42M3X, 200...240 V, three phase 750 W for LXM05CD42M3X, 200...240 V, three phase
Nominal torque	2.4 N.m for LXM05AD28M2, 200...240 V, single phase 2.4 N.m for LXM05BD28M2, 200...240 V, single phase 2.4 N.m for LXM05CD28M2, 200...240 V, single phase 2.4 N.m for LXM05AD28F1, 110...120 V, single phase 2.4 N.m for LXM05BD28F1, 110...120 V, single phase 2.4 N.m for LXM05CD28F1, 110...120 V, single phase 2.1 N.m for LXM32.D18M2 at 6 A, 230 V, single phase 2 N.m for LXM15LD28M3, 230 V, three phase 2.4 N.m for LXM05AD42M3X at 6 A, 200...240 V, three phase 2.4 N.m for LXM05BD42M3X, 200...240 V, three phase 2.4 N.m for LXM05CD42M3X, 200...240 V, three phase

Nominal speed	3000 rpm for LXM05AD28M2, 200...240 V, single phase 3000 rpm for LXM05BD28M2 at 6 A, 200...240 V, single phase 3000 rpm for LXM05CD28M2, 200...240 V, single phase 3000 rpm for LXM05AD42M3X, 200...240 V, three phase 3000 rpm for LXM05BD42M3X, 200...240 V, three phase 3000 rpm for LXM05CD42M3X, 200...240 V, three phase 3000 rpm for LXM05AD28F1, 110...120 V, single phase 3000 rpm for LXM05BD28F1, 110...120 V, single phase 3000 rpm for LXM05CD28F1, 110...120 V, single phase 4000 rpm for LXM32.D18M2 at 6 A, 230 V, single phase 6000 rpm for LXM15LD28M3, 230 V, three phase
Product compatibility	LXM05AD28F1 at 110...120 V single phase LXM05AD28M2 at 200...240 V single phase LXM05BD28F1 at 110...120 V single phase LXM05BD28M2 at 200...240 V single phase LXM05CD28F1 at 110...120 V single phase LXM05CD28M2 at 200...240 V single phase LXM32.D18M2 at 230 V single phase LXM05AD42M3X at 200...240 V three phase LXM05BD42M3X at 200...240 V three phase LXM05CD42M3X at 200...240 V three phase LXM15LD28M3 at 230 V three phase
Shaft end	Keyed
IP degree of protection	IP65 standard IP67 with IP67 kit
Speed feedback resolution	131072 points/turn
Holding brake	Without
Mounting support	International standard flange
Electrical connection	Rotatable right-angled connectors

Complementary

Range compatibility	Lexium 15 Lexium 32 Lexium 05
supply voltage max	480 V
Network number of phases	Three phase
Continuous stall current	7 A
maximum continuous power	1.7 W
Maximum current Irms	18 A for LXM32.D18M2 30.9 A for LXM15LD28M3 29.2 A for LXM05AD28F1 29.2 A for LXM05AD28M2 29.2 A for LXM05AD42M3X 29.2 A for LXM05BD28F1 29.2 A for LXM05BD28M2 29.2 A for LXM05BD42M3X 29.2 A for LXM05CD28F1 29.2 A for LXM05CD28M2 29.2 A for LXM05CD42M3X
Maximum permanent current	29.2 A
Switching frequency	8 kHz
Second shaft	Without second shaft end
Shaft diameter	14 mm
Shaft length	30 mm
Key width	20 mm
Feedback type	Single turn SinCos Hiperface
Motor flange size	70 mm

Number of motor stacks	3
Torque constant	0.44 N.m/A at 120 °C
Back emf constant	29 V/krpm at 120 °C
Number of motor poles	3.0
Rotor inertia	0.58 kg.cm ²
Stator resistance	0.91 Ohm at 20 °C
Stator inductance	2.45 mH at 20 °C
Stator electrical time constant	4.84 ms at 20 °C
Maximum radial force Fr	400 N at 6000 rpm 430 N at 5000 rpm 460 N at 4000 rpm 510 N at 3000 rpm 580 N at 2000 rpm 730 N at 1000 rpm
Maximum axial force Fa	0.2 x Fr
Type of cooling	Natural convection
Length	220 mm
Centring collar diameter	60 mm
Centring collar depth	2.5 mm
Number of mounting holes	4
Mounting holes diameter	5.5 mm
Circle diameter of the mounting holes	82 mm
Net weight	3.62 kg
Sizing reference	BSH0703T
Network number of phases	3
Accuracy error [angular]	1.4 °
Temperature copper hot	120 °C
Temperature magnet hot	100 °C
Temperature magnet rt	20 °C
Output current 3s peak	29.2 A
Inertia	0.0 kg.cm ² of brake 0.58 kg.cm ² of motor

Packing Units

Unit Type of Package 1	PCE
Number of Units in Package 1	1
Package 1 Height	12.3 cm
Package 1 Width	12.8 cm
Package 1 Length	37.7 cm
Package 1 Weight	3.6 kg

Contractual warranty

Warranty (in months)	18
----------------------	----



Environmental Data

Schneider Electric aims to achieve Net Zero status by 2050 through supply chain partnerships, lower impact materials, and circularity via our ongoing “Use Better, Use Longer, Use Again” campaign to extend product lifetimes and recyclability.

[Environmental Data explained >](#)

[How we assess product sustainability >](#)



Environmental footprint

Total lifecycle Carbon footprint	1 375 kg CO2 eq.
Carbon footprint of the manufacturing phase [A1 to A3]	16 kg CO2 eq.
Carbon footprint of the distribution phase [A4]	0.5 kg CO2 eq.
Carbon footprint of the installation phase [A5]	0 kg CO2 eq.
Carbon footprint of the use phase [B2, B3, B4, B6]	1 358 kg CO2 eq.
Carbon footprint of the end-of-life phase [C1 to C4]	0.3 kg CO2 eq.

Use Better



Materials and Substances

Packaging made with recycled cardboard	Yes
Packaging without single use plastic	No
SCIP Number	8c11b0c9-e501-4810-83eb-05fc6605ede4
EU RoHS Directive	Compliant By Exemption
REACH Regulation	Reference contains Substances of Very High Concern above the threshold
PVC free	Yes

Use Longer



Lifetime extension

Repair	No
--------	----

Use Again



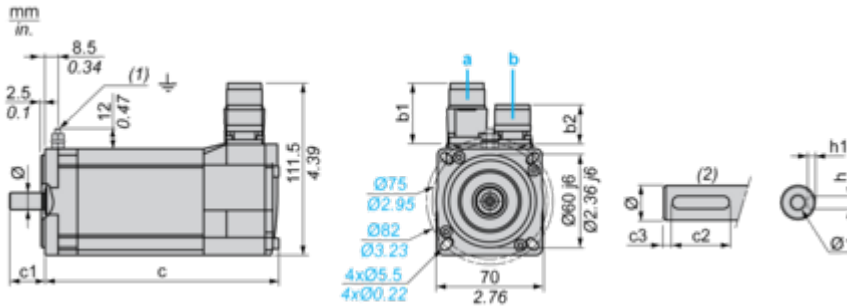
Repack and remanufacture

End of life manual availability	No need of specific recycling operations
Take-back	No
WEEE Label	 The product must be disposed on European Union markets following specific waste collection and never end up in rubbish bins

Dimensions Drawings

Servo Motors Dimensions

Example with Straight Connectors



- a: Power supply for servo motor brake
- b: Power supply for servo motor encoder
- (1) M4 screw
- (2) Shaft end, keyed slot (optional)

Dimensions in mm

Straight connectors		Rotatable angled connectors		c (without brake)	c (with brake)	c1	c2	c3	h	h1	Ø	Ø1 for screws
b1	b2	b1	b2									
39.5	25.5	39.5	39.5	220	254	30	20	5	5 N9	3 ^{+0.1} ₀	14 k6	M5 x 12.5

Dimensions in in.

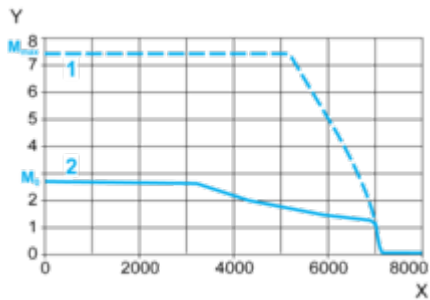
Straight connectors		Rotatable angled connectors		c (without brake)	c (with brake)	c1	c2	c3	h	h1	Ø	Ø1 for screws
b1	b2	b1	b2									
1.55	1.00	1.55	1.55	8.66	10.00	1.18	0.78	0.19	0.20 N9	0.12 ^{+0.004} ₀	0.55 k6	M5 x 0.49

Performance Curves

230 V Single-Phase Supply Voltage

Torque/Speed Curves

Servo motor with LXM32•D18M2 servo drive



X Speed in rpm

Y Torque in Nm

1 Peak torque

2 Continuous torque