

POSITION SWITCH, METAL-ENCLOSED ENCAPSULATED POSITION SWITCH  
SLOW-ACTION CONTACTS 1NO+1NC ROUNDED PLUNGER FORM C, 3 X M20  
X 1.5



<b>product designation</b>	position switch
suitability for use safety switch	Yes
<b>General technical data</b>	
<b>protection class IP</b>	IP67
<b>reference code according to IEC 81346-2</b>	B
<b>active principle</b>	mechanical
<b>Substance Prohibitance (day/month/year)</b>	07/01/2006
<b>Net Weight</b>	0.266 kg
<b>length of the sensor</b>	98 mm
<b>width of the sensor</b>	56 mm
<b>Ambient conditions</b>	
<b>ambient temperature</b> • during operation	-30 ... +85 °C
<b>explosion protection category for dust</b>	none
<b>design of the switching contact</b>	mechanical
<b>number of NC contacts for auxiliary contacts</b>	1
<b>number of NO contacts for auxiliary contacts</b>	1
<b>Enclosure</b>	
<b>design of the housing</b>	block, wide
<b>material of the enclosure</b>	metal
<b>coating of the enclosure</b>	painted
<b>design of the housing according to standard</b>	No
<b>Drive Head</b>	
<b>design of the actuating element</b>	rounded plunger
<b>standard-compliant actuator head</b>	EN 50041, design B
<b>shape of the switch head</b>	rounded
<b>outer diameter of the switch head</b>	10 mm
<b>design of the switching function</b>	positive opening
<b>circuit principle</b>	slow-action contacts
<b>number of switching contacts safety-related</b>	1
<b>Installation/ mounting/ dimensions</b>	
<b>fastening method</b>	screw fixing
<b>Connections/ Terminals</b>	
<b>type of electrical connection</b>	screw terminal
<b>design of the interface for safety-related communication</b>	without
<b>Communication/ Protocol</b>	
<b>design of the interface</b>	without
<b>Approvals Certificates</b>	


[Miscellaneous](#)

[Confirmation](#)
[Confirmation](#)

other

Environment


[Environmental Confirmations](#)

## Further information

## Information on the packaging

<https://support.industry.siemens.com/cs/ww/en/view/109813875>

## Information for data generation and storage

<https://support.industry.siemens.com/cs/ww/en/view/109995012>

## Information- and Downloadcenter (Catalogs, Brochures,...)

<https://www.siemens.com/ic10>

## Industry Mall (Online ordering system)

<https://mall.industry.siemens.com/mall/en/en/Catalog/product?mlfb=3SE2100-0C>

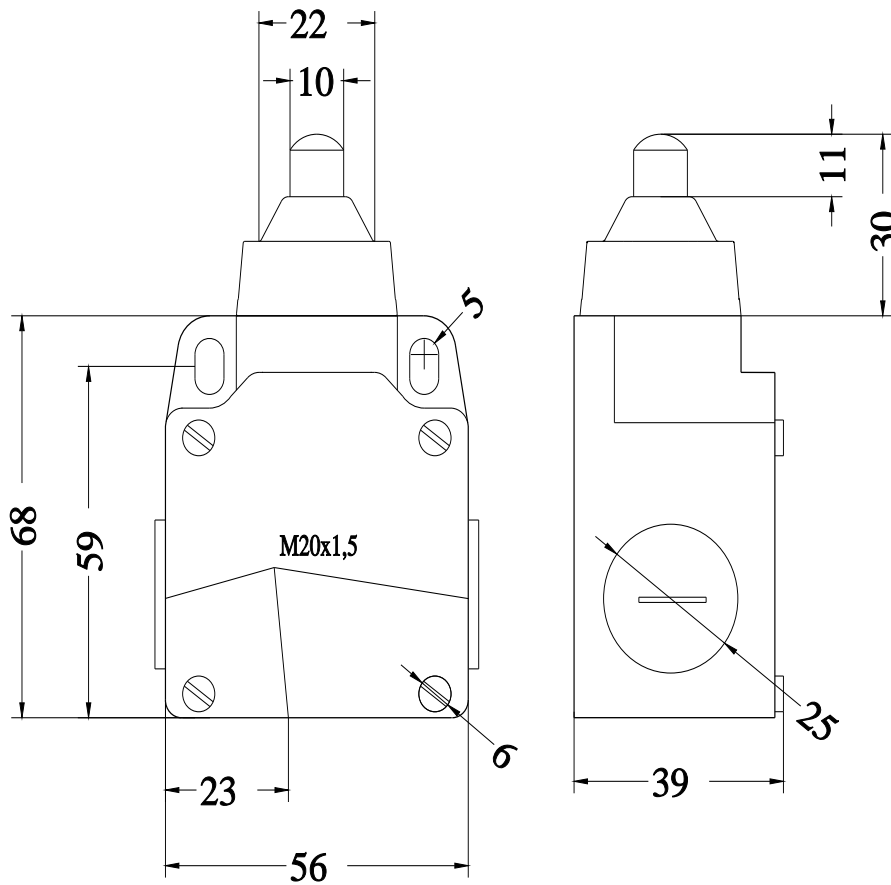
## Cax online generator

<https://support.automation.siemens.com/WW/CAXorder/default.aspx?lang=en&mlfb=3SE2100-0C>

## Service&amp;Support (Manuals, Certificates, Characteristics, FAQs,...)

<https://support.industry.siemens.com/cs/ww/en/ps/3SE2100-0C>

## Image database (product images, 2D dimension drawings, 3D models, device circuit diagrams, EPLAN macros, ...)

[https://www.automation.siemens.com/bilddb/cax\\_de.aspx?mlfb=3SE2100-0C&lang=en](https://www.automation.siemens.com/bilddb/cax_de.aspx?mlfb=3SE2100-0C&lang=en)


last modified:

8/8/2025