

Product datasheet

Specifications

TeSys K - star delta starter - 3 x 3P (3 NO) - 6 A - 24 V AC coil



LC3K06B7

⚠ Discontinued on: 1 Nov 2020

⚠ Discontinued

Main

Range	TeSys
Product name	TeSys K
Product or component type	Star delta starter
Device short name	LC3K
Contactors application	Motor control
Utilisation category	AC-3
Device presentation	Pre-wired
Poles description	3 x 3P
power pole contact composition	3 x 3 NO
[Ue] rated operational voltage	Power circuit: ≤ 690 V AC 25...400 Hz
[Ie] rated operational current	6 A (at ≤ 50 °C) at ≤ 440 V AC AC-3 for power circuit
Motor power kW	3 kW at 220/230 V AC 50/60 Hz 5.5 kW at 380/400 V AC 50/60 Hz 5.5 kW at 415 V AC 50/60 Hz 5.5 kW at 440 V AC 50/60 Hz
Control circuit type	AC at 50/60 Hz
[Uc] control circuit voltage	24 V AC 50/60 Hz
Auxiliary contact composition	1 NC for KM1 star contactor
[Uimp] rated impulse withstand voltage	8 kV
Oversvoltage category	III
[Ui] rated insulation voltage	Power circuit: 750 V conforming to VDE 0110 group C Power circuit: 690 V conforming to IEC 60947 Power circuit: 690 V conforming to BS 5424 Power circuit: 690 V conforming to NF C 20-040 Power circuit: 600 V CSA 22-2 certified Power circuit: 600 V UL 508 certified Signalling circuit: 750 V conforming to VDE 0110 group C Signalling circuit: 690 V conforming to IEC 60947 Signalling circuit: 690 V conforming to BS 5424 Signalling circuit: 690 V conforming to NF C 20-040 Signalling circuit: 600 V CSA 22-2 certified Signalling circuit: 600 V UL 508 certified
Electrical durability	1.3 Mcycles 6 A AC-3 at $U_e \leq 440$ V
Interlocking type	Mechanical
Mounting support	Rail
Standards	NF C 63-110 IEC 60947 VDE 0660

Complementary

Connections - terminals	Screw clamp terminals 1 1.5...4 mm ² - cable stiffness: solid Screw clamp terminals 1 0.75...4 mm ² - cable stiffness: flexible without cable end Screw clamp terminals 1 0.34...2.5 mm ² - cable stiffness: flexible with cable end Screw clamp terminals 2 1.5...4 mm ² - cable stiffness: solid Screw clamp terminals 2 0.75...4 mm ² - cable stiffness: flexible without cable end Screw clamp terminals 2 0.34...1.5 mm ² - cable stiffness: flexible with cable end
Tightening torque	0.8...1.3 N.m - on screw clamp terminals Philips No 2 0.8...1.3 N.m - on screw clamp terminals flat Ø 6 mm
Mechanical durability	10 Mcycles
Maximum operating rate	12 cyc/h 60 °C
Starting time	30 s
Coil technology	Without built-in suppressor module
Control circuit voltage limits	Operational: 0.8...1.15 U _c (at <50 °C) Drop-out: 0.2...0.75 U _c (at <50 °C)
Inrush power in VA	30 VA (at 20 °C)
Heat dissipation	1.3 W
Auxiliary contacts type	Mechanically linked conforming to IEC 60947-5-1 3 x 1 NO + 1 NC Mirror contact conforming to IEC 60947-4-1 3 x 1 NC
Signalling circuit frequency	<= 400 Hz
Minimum switching current	5 mA for signalling circuit
minimum switching voltage	17 V for signalling circuit
Width	150 mm
Height	110 mm
Depth	94 mm
Net weight	0.74 kg

Environment

Insulation resistance	> 10 MOhm for signalling circuit
IP degree of protection	IP20 conforming to VDE 0106
Protective treatment	TC conforming to IEC 60068 TC conforming to DIN 50016
Ambient air temperature for storage	-50...80 °C
Operating altitude	2000 m without derating
Flame retardance	V1 conforming to UL 94 Requirement 2 conforming to NF F 16-101 Requirement 2 conforming to NF F 16-102
Mechanical robustness	Vibrations contactor open: 2 Gn, 5...300 Hz Vibrations contactor closed: 4 Gn, 5...300 Hz Shocks contactor closed, on X axis: 10 Gn for 11 ms Shocks contactor opened, on X axis: 6 Gn for 11 ms Shocks contactor closed, on Y axis: 15 Gn for 11 ms Shocks contactor opened, on Y axis: 10 Gn for 11 ms Shocks contactor closed, on Z axis: 15 Gn for 11 ms Shocks contactor opened, on Z axis: 10 Gn for 11 ms

Packing Units

Unit Type of Package 1	PCE
Number of Units in Package 1	1

Contractual warranty

Warranty (in months)

18



Environmental Data

Schneider Electric aims to achieve Net Zero status by 2050 through supply chain partnerships, lower impact materials, and circularity via our ongoing “Use Better, Use Longer, Use Again” campaign to extend product lifetimes and recyclability.

[Environmental Data explained >](#)

[How we assess product sustainability >](#)



Environmental footprint

[Environmental Disclosure](#)

[Product Environmental Profile](#)

Use Better



Materials and Substances

[EU RoHS Directive](#)

Compliant

Use Longer



Lifetime extension

Repair

No

Use Again



Repack and remanufacture

WEEE Label

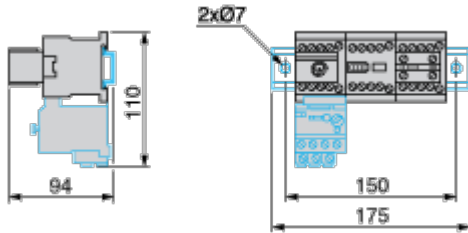


The product must be disposed on European Union markets following specific waste collection and never end up in rubbish bins

Dimensions Drawings

Dimensions

Star-delta Starters LC3 K: Plate mounted, Pre-assembled

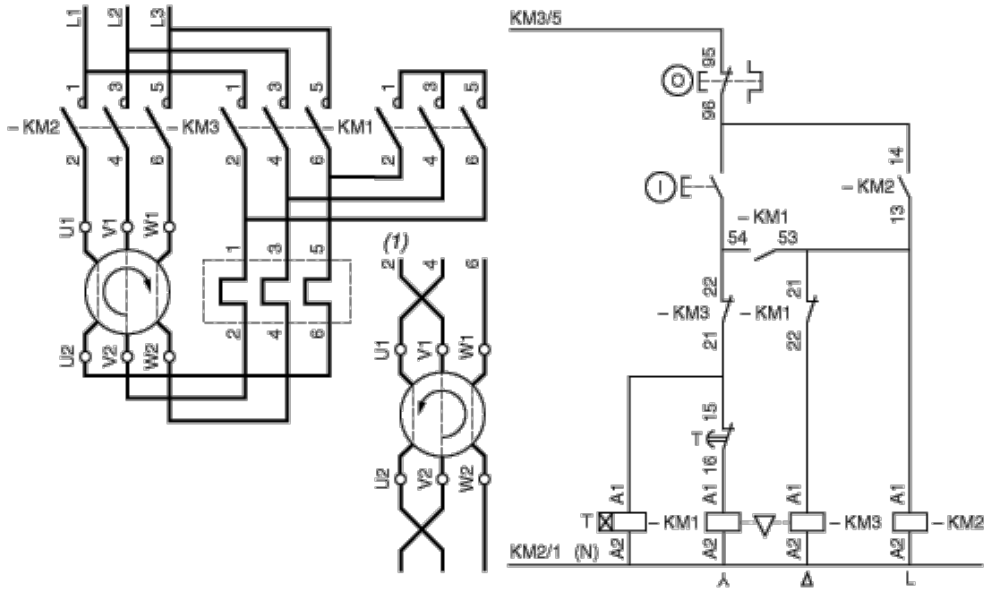


NOTE: On starters LC3 D09A to D18A, a connection block is mounted on the upper part of contactor KM2, increasing the overall height of the product by 6.5 mm.

Connections and Schema

Wiring

Schemes LC3 K, D09A to D80



NOTE: LC3 D09A to D18A: Mechanical interlock between KM3 and KM1.