

magnetically operated switch contact block contact block, rectangular small 25 x 33 mm, 1 NO+1 NC, 3 m cable



Figure similar

|  |                              |                   |
|--|------------------------------|-------------------|
| product brand name                           | SIRIUS                       |                   |
| product designation                          | Magnetically operated switch |                   |
| design of the product                        | Rectangular sensor unit      |                   |
| product type designation                     | 3SE66                        |                   |
| suitability for use safety-related circuits  | Yes                          |                   |
| <b>General technical data</b>                |                              |                   |
| product function                             | No                           |                   |
| • positive opening                           |                              |                   |
| protection class IP                          | IP67                         |                   |
| Substance Prohibittance (day/month/year)     | 07/01/2006                   |                   |
| Net Weight                                   | 0.12 kg                      |                   |
| <b>Ambient conditions</b>                    |                              |                   |
| ambient temperature during operation         | -25 ... +70 °C               |                   |
| number of NC contacts for auxiliary contacts | 1                            |                   |
| number of NO contacts for auxiliary contacts | 1                            |                   |
| <b>Enclosure</b>                             |                              |                   |
| material of the enclosure                    | plastic                      |                   |
| <b>Actuator</b>                              |                              |                   |
| design of the actuating element              | magnet                       |                   |
| <b>Contact</b>                               |                              |                   |
| circuit principle                            | reed switches                |                   |
| switching frequency                          | 5 Hz                         |                   |
| assured operating distance OFF               | 14 mm                        |                   |
| assured operating distance ON                | 4 mm                         |                   |
| design of the switching function             | NC contact and NO contact    |                   |
| <b>Installation/ mounting/ dimensions</b>    |                              |                   |
| fastening method                             | screw fixing                 |                   |
| <b>Approvals Certificates</b>                |                              |                   |
| General Product Approval                     | EMV                          | Functional Safety |



[Miscellaneous](#)

other

Environment



## Further information

## Information on the packaging

<https://support.industry.siemens.com/cs/ww/en/view/109813875>

## Information for data generation and storage

<https://support.industry.siemens.com/cs/ww/en/view/109995012>

## Information- and Downloadcenter (Catalogs, Brochures,...)

<https://www.siemens.com/ic10>

## Industry Mall (Online ordering system)

<https://mall.industry.siemens.com/mall/en/en/Catalog/product?mlfb=3SE6605-3BA03>

## Cax online generator

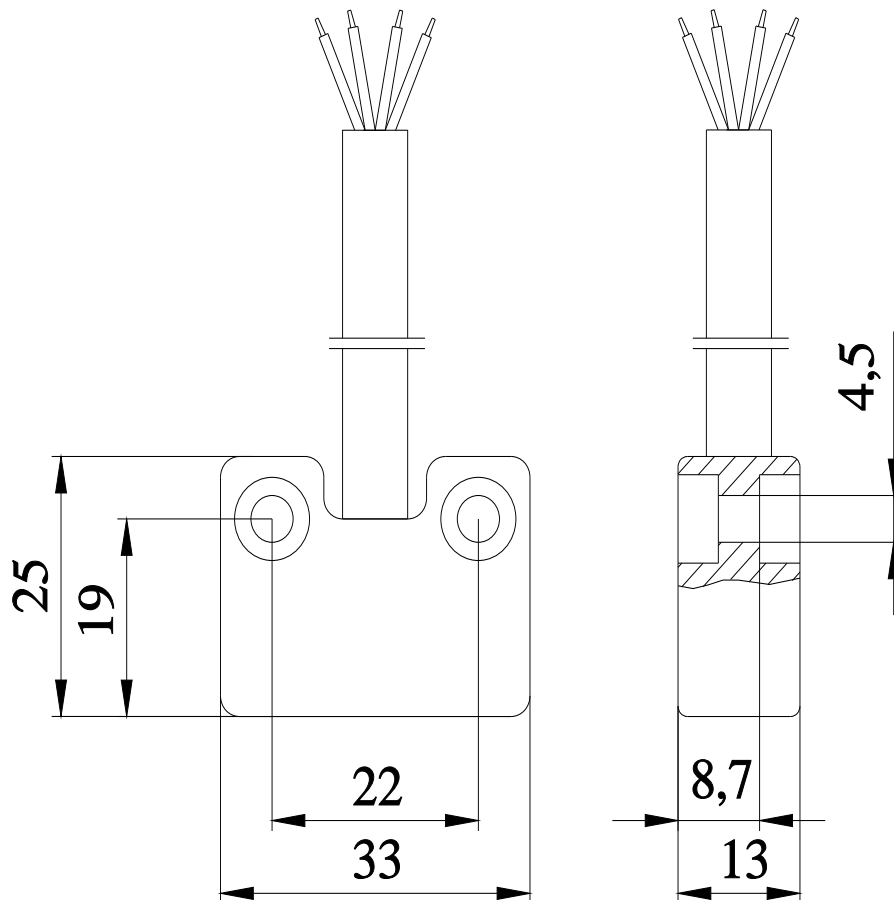
<https://support.automation.siemens.com/WW/CAXorder/default.aspx?lang=en&mlfb=3SE6605-3BA03>

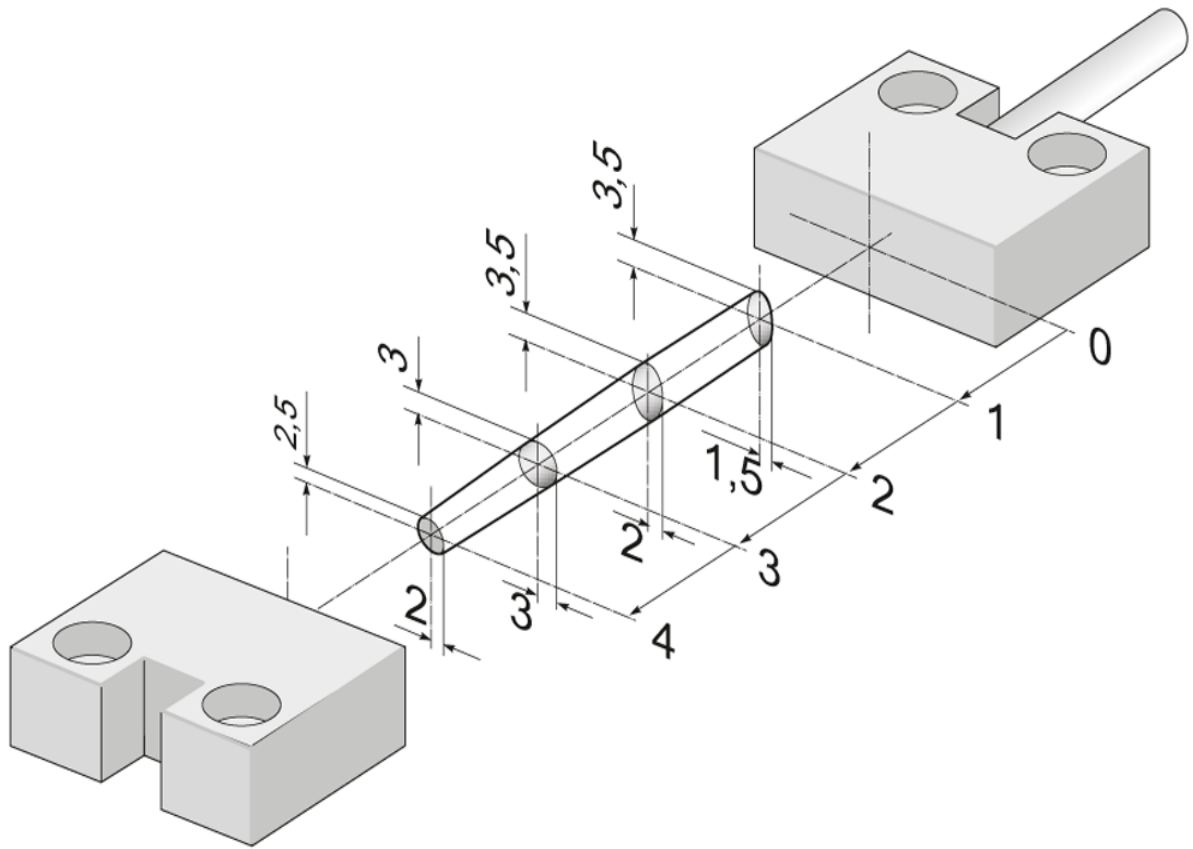
## Service&amp;Support (Manuals, Certificates, Characteristics, FAQs,...)

<https://support.industry.siemens.com/cs/ww/en/ps/3SE6605-3BA03>

## Image database (product images, 2D dimension drawings, 3D models, device circuit diagrams, EPLAN macros, ...)

[https://www.automation.siemens.com/bilddb/cax\\_de.aspx?mlfb=3SE6605-3BA03&lang=en](https://www.automation.siemens.com/bilddb/cax_de.aspx?mlfb=3SE6605-3BA03&lang=en)





$$s_{a0} = 4 \text{ mm}$$

$$s_{ar} = 14 \text{ mm}$$

last modified:

4/18/2025 